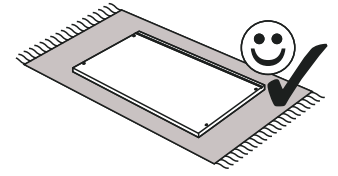
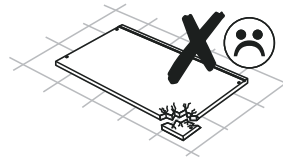
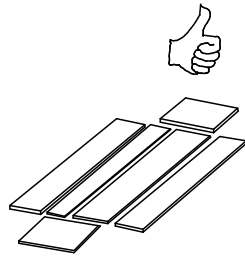
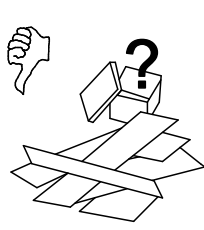
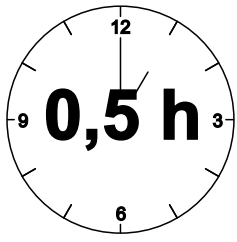
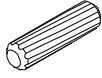
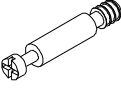
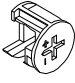

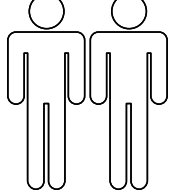
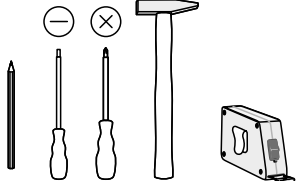

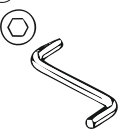
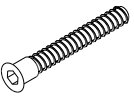

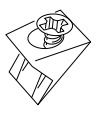

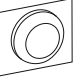
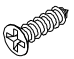
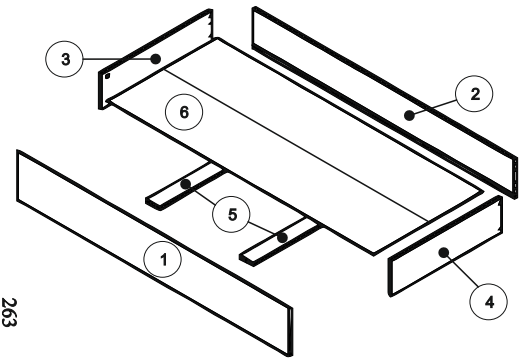
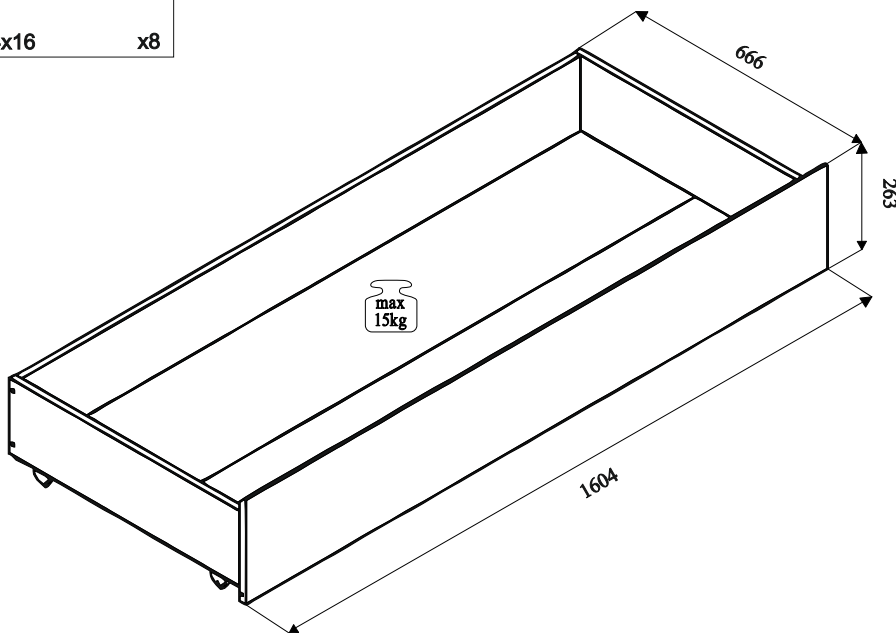


GAIUS 50-110-17



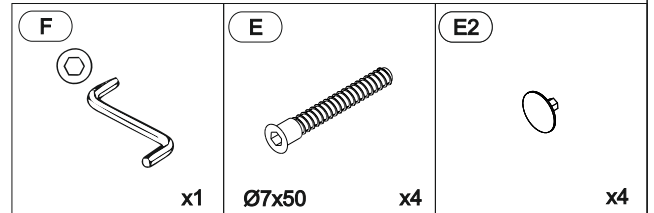
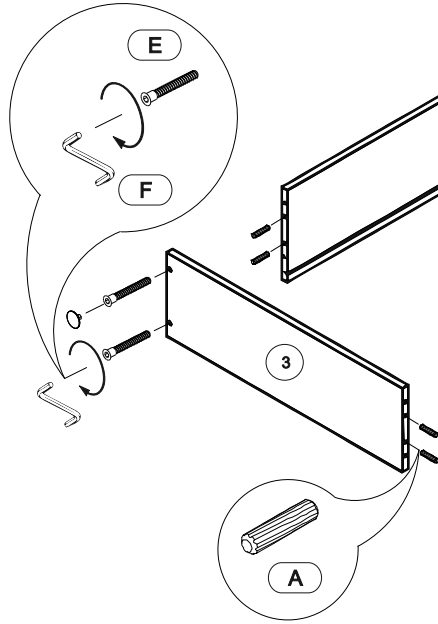
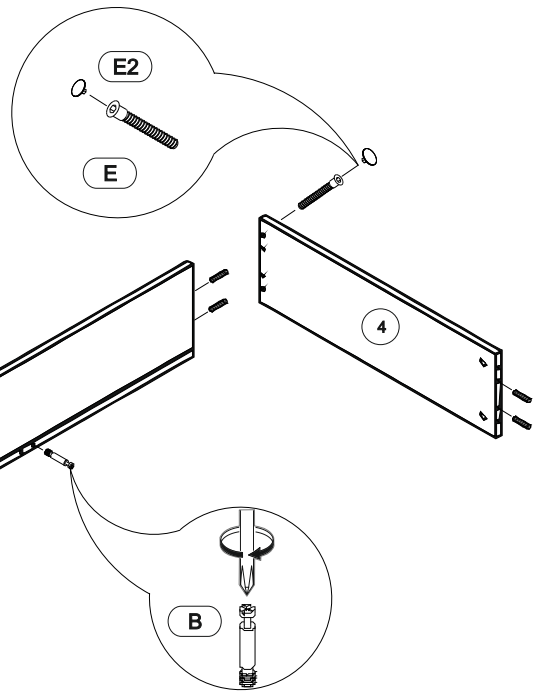
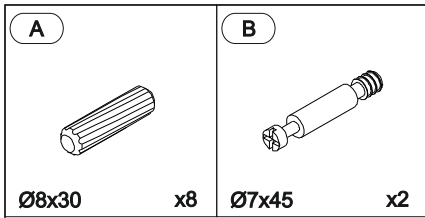
A  Ø8x30 x12	B  Ø7x45 x8	C  Ø15x12 x8	D  x8			
H1  x4	F  x1	E  Ø7x50 x4	E2  x4	I  x6	L  Ø3x18 x8	N  x2
M  Ø4x16 x8						



Hergestellt für/manufactured for POL-POWER Sp. z o.o.,
 ul. Poznanska 113A,
 PL 62-052 Komorniki

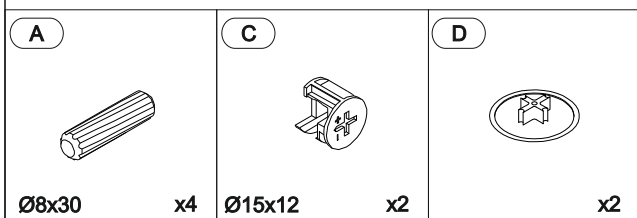
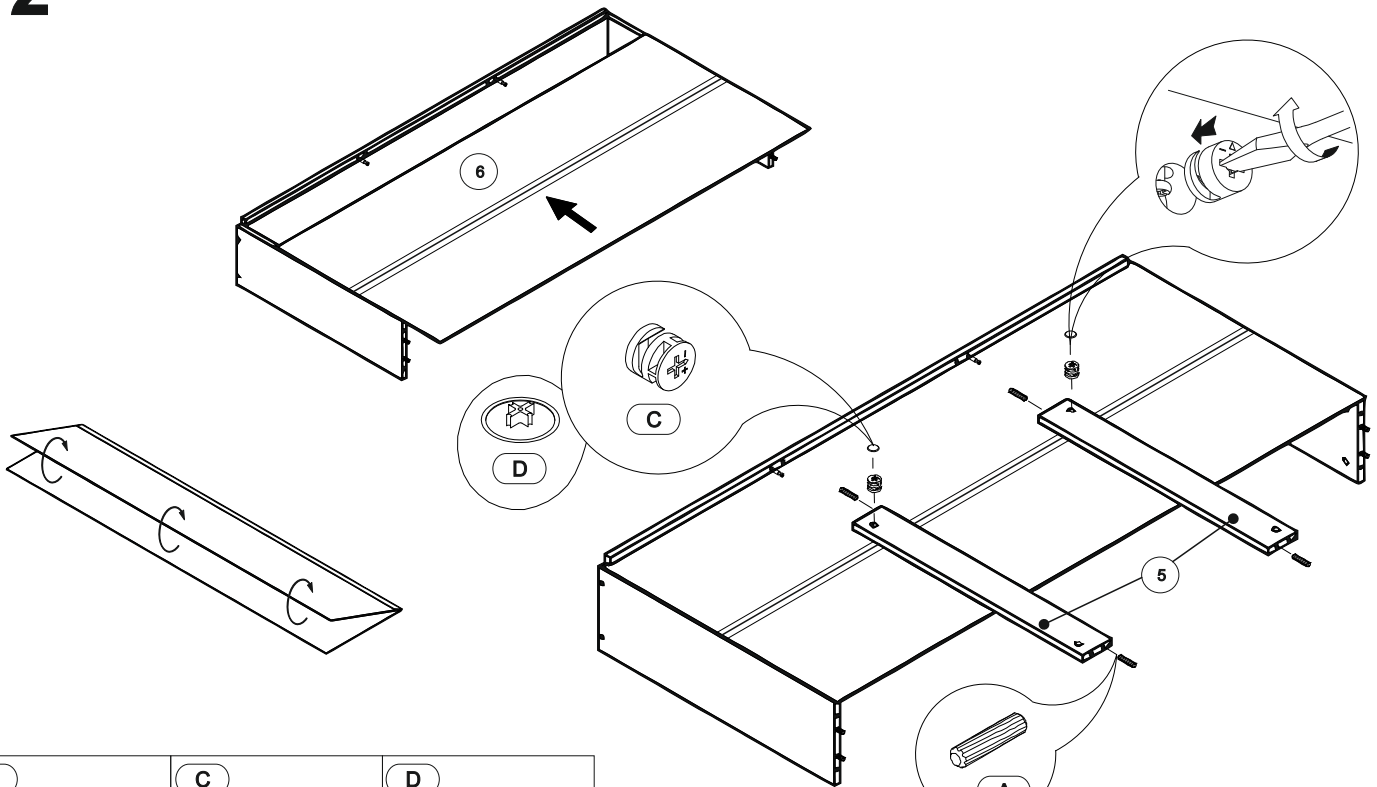
№	L	B	S	Q	Col. №
1	1604	250	16	1	1 / 1
2	1542	200	16	1	1 / 1
3	650	180	16	1	1 / 1
4	650	180	16	1	1 / 1
5	633	80	16	2	1 / 1
6	1572	648	3	1	1 / 1

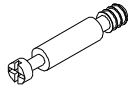




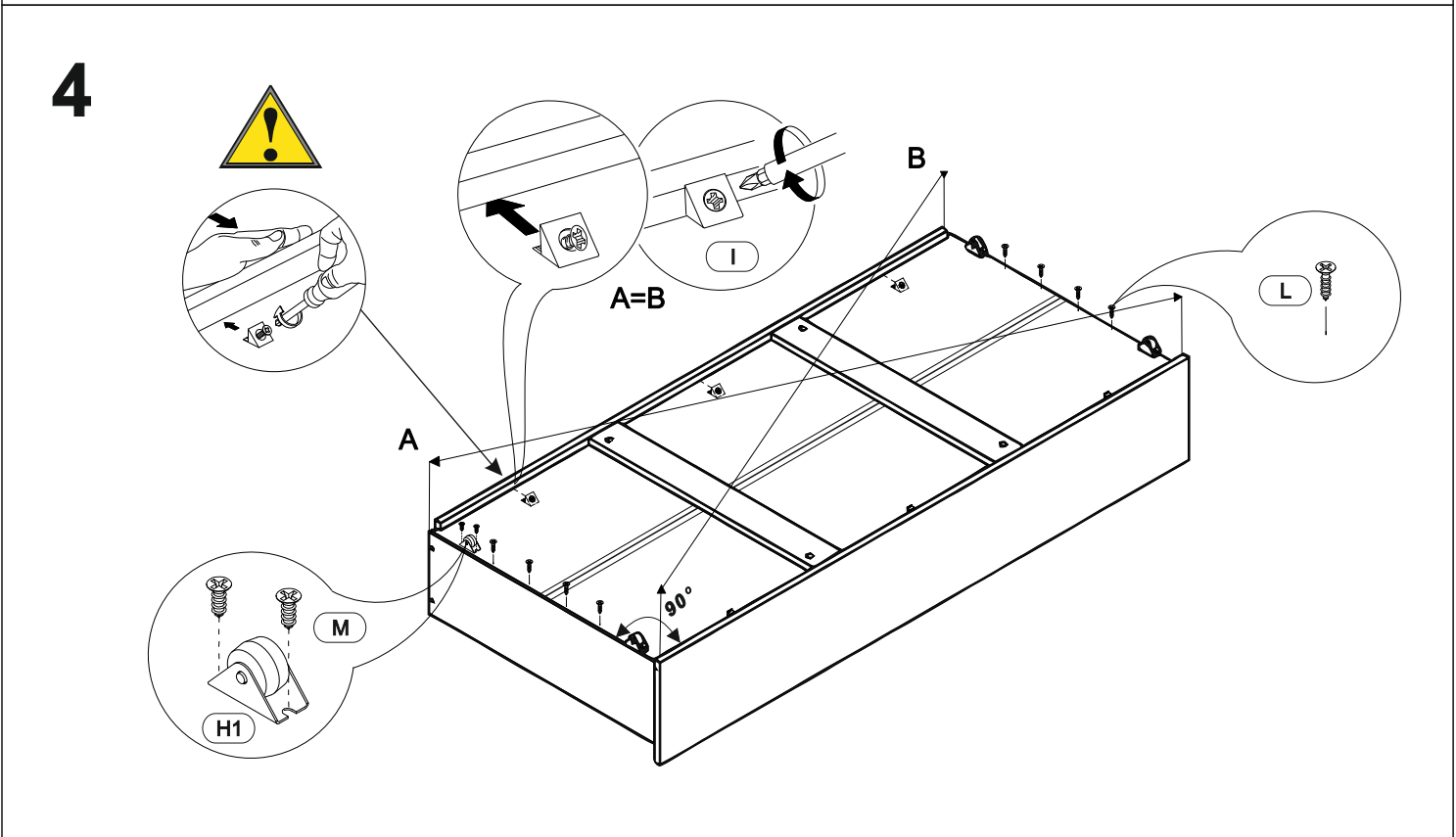
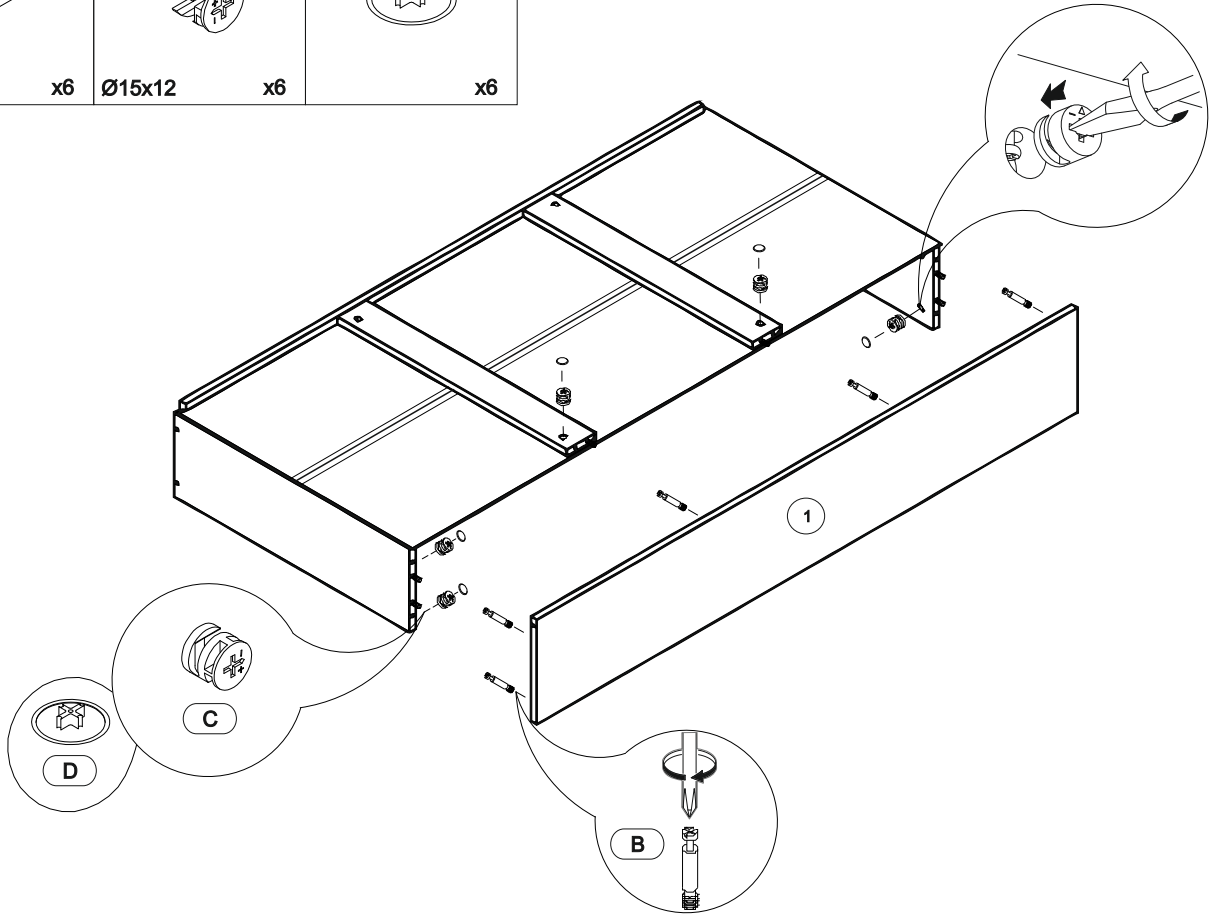


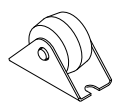

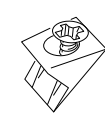

1

2



B	C	D
		
Ø7x45 x6	Ø15x12 x6	x6

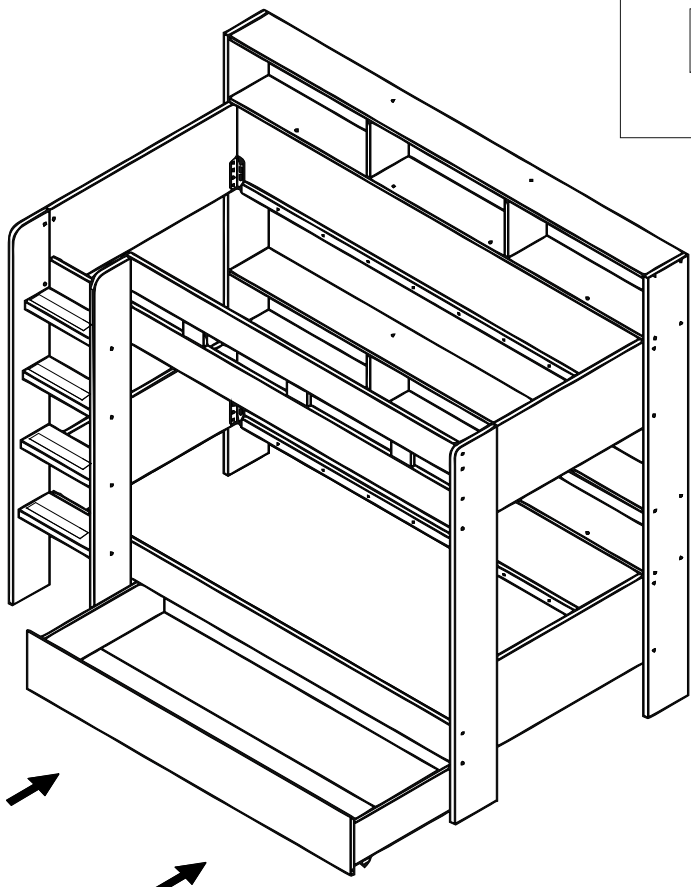
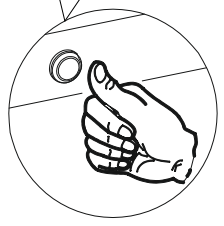
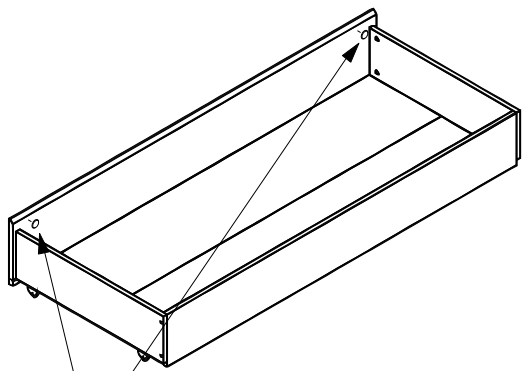


H1	M	I	L
			
x4	Ø4x16 x8	x6	Ø3x18 x8

N



x2



5