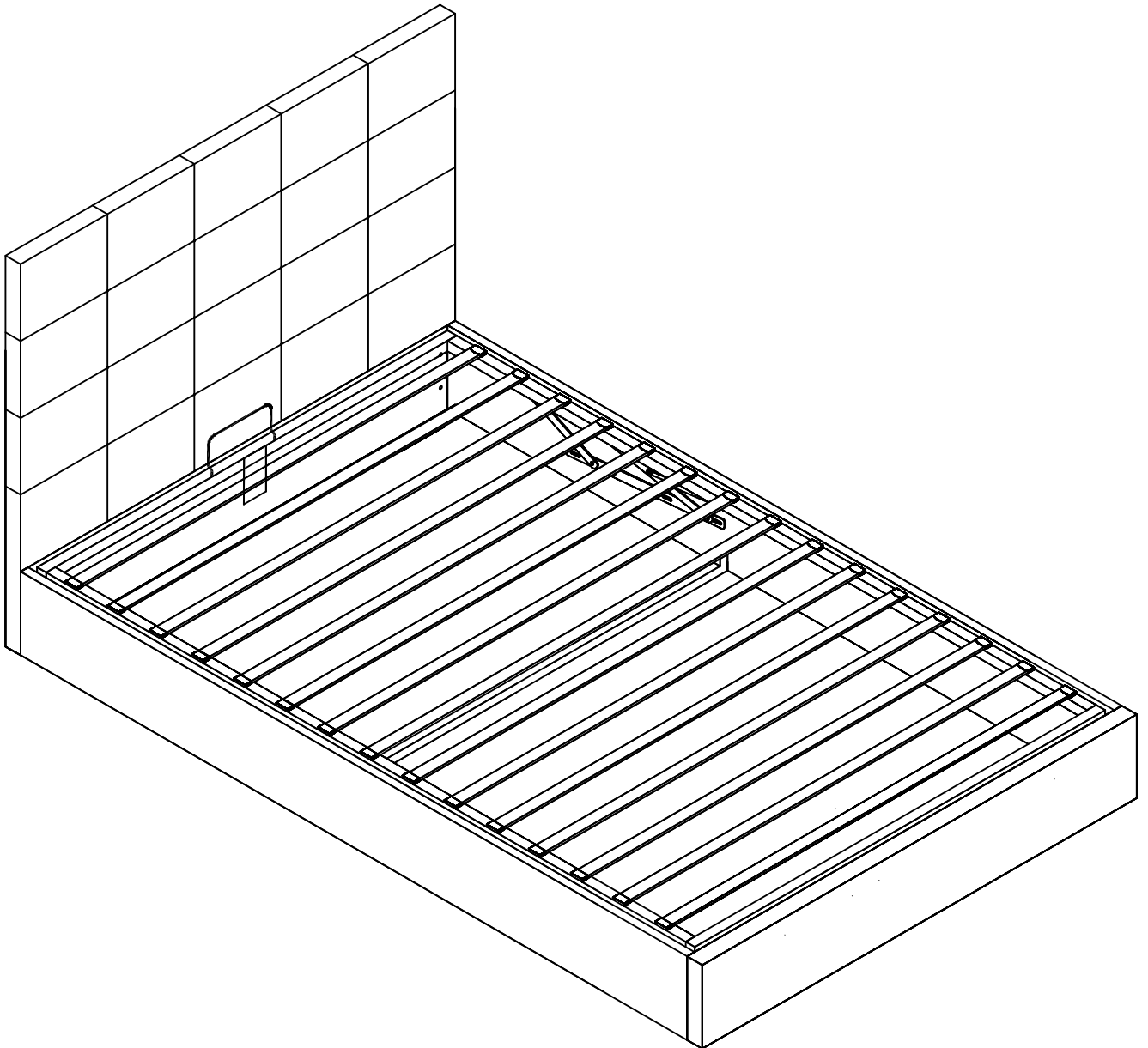


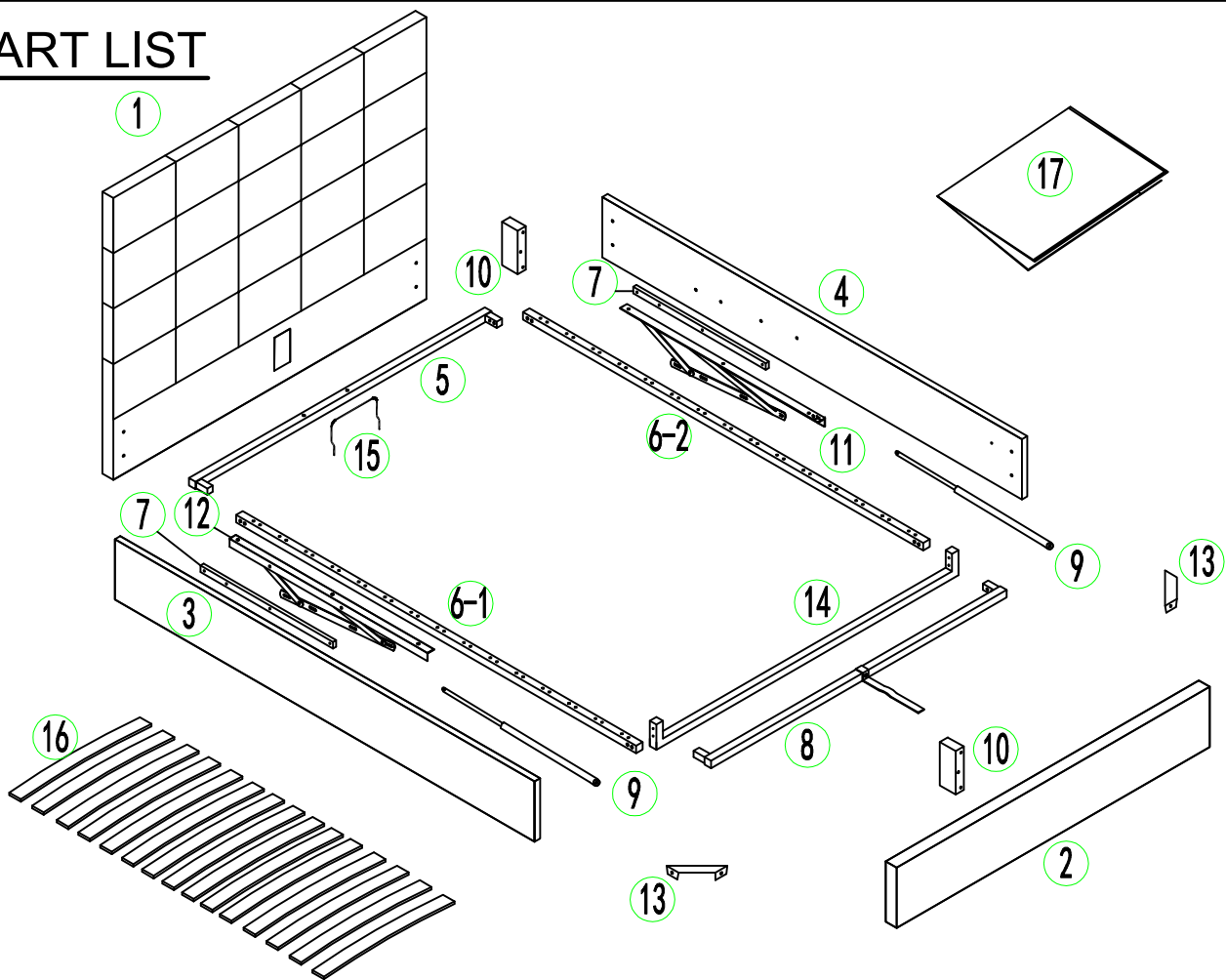
LUXOR BED LX-900

ASSEMBLY INSTRUCTIONS



LUXOR BED IS FOR DOMESTIC USE
AND STRICTLY NOT FOR CONTRACT USE.

PART LIST



HARDWARE LIST

Label	Picture	Description	Qty	Label	Picture	Description	Qty
A		Single Plastic CAP	30	G		NUT	4
B		Screw 4*80	6	H		Bolt M8x15	14
C		Bolt M8x30	8	I		Bolt M6x20	4
D		Bolt M8x20	16	L		Connection Plate Left	2
E		Screw 4*35	4	R		Connection Plate Right	2
F		Washer M8	8				

TOOL list

Label	Picture	Description	Qty
T-1		Screw driver(not provided)	1
T-2		Allen key M5	1
T-3		Allen key M4	1
T-4		SPANNER	1

Step 1

Steps 1a

Steps 1b

Steps 1c

L 2pcs Connection Plaste Left	R 2pcs Connection Plaste Right
D 16pcs Bolt M8x20	I 4pcs Bolt M6x20
F 8pcs Washer M8	T-2 1pc Allen key 5#
	T-3 1pc Allen key 4#

Step 2



Steps 2a

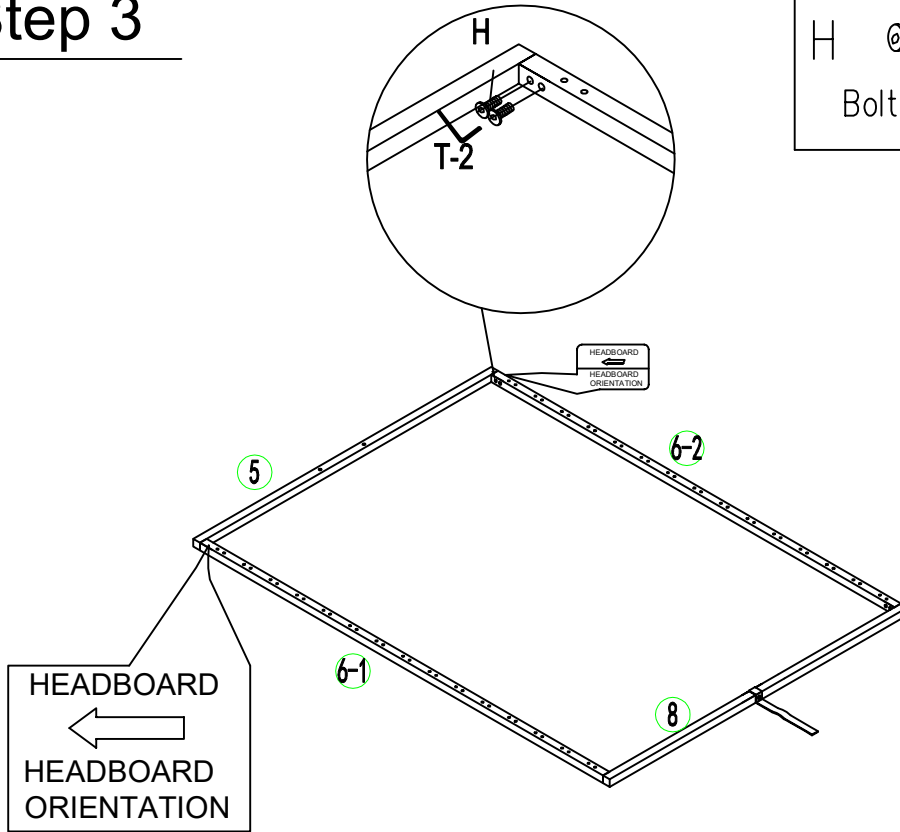
Steps 2b

Steps 2c





B 6pcs Screw 4*80	T-2 1pc Allen key 5#
E 4pcs Screw 4*35	C 8pcs Bolt M8x30
	T-1 1pc Screw driver (not provided)

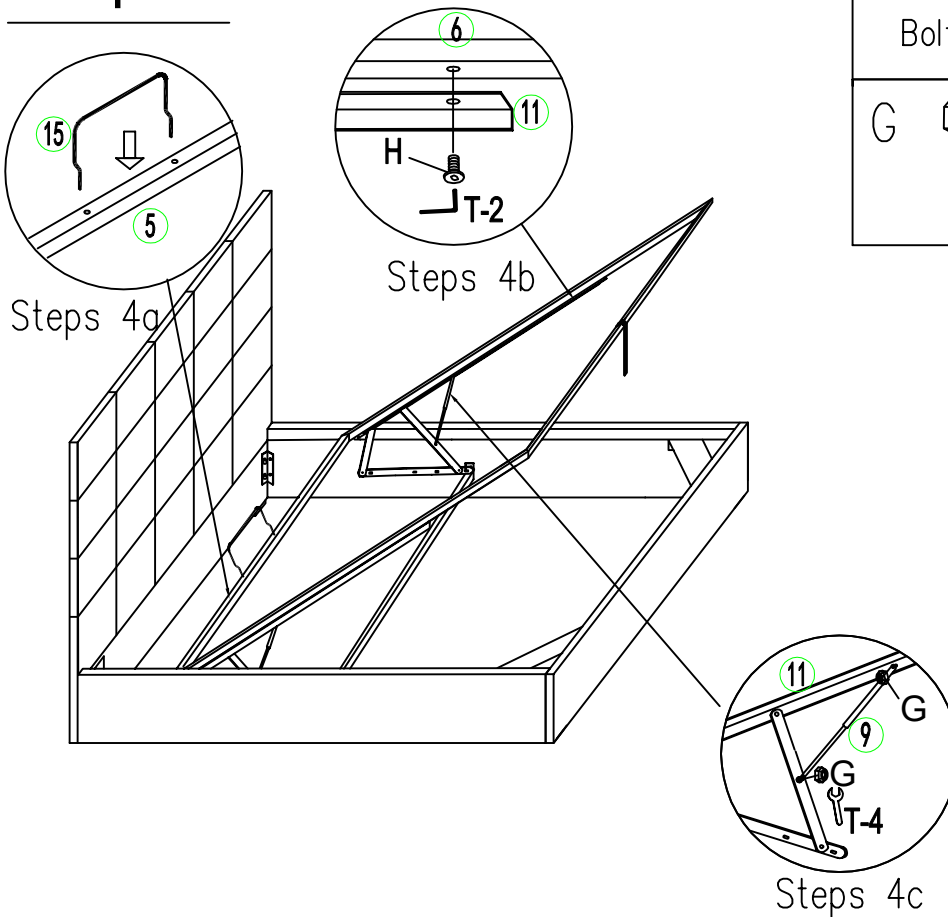
Step 3

H		8pcs	T-2		1pc
		Bolt M8x15			Allen key 5#




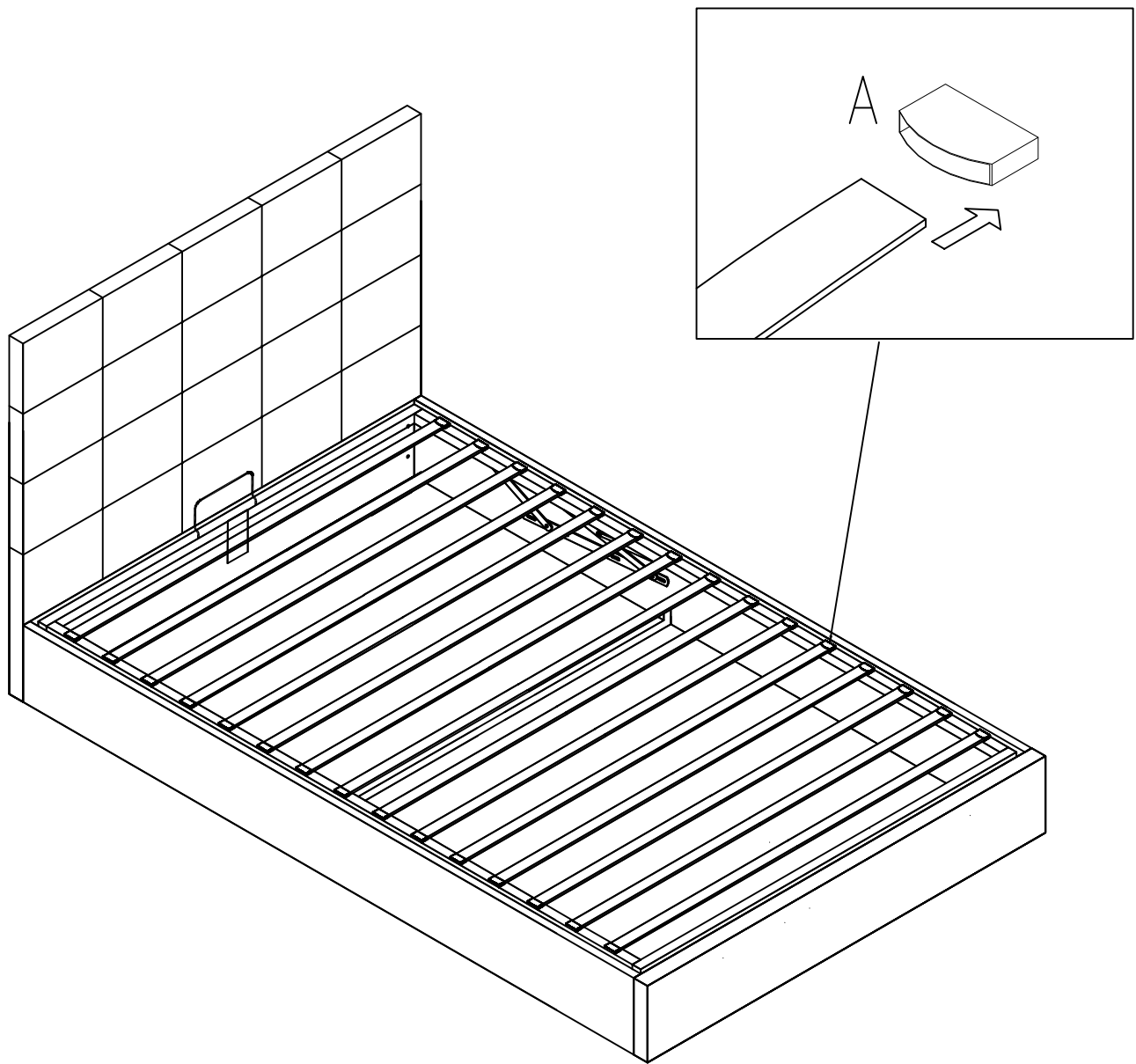
Step 4

H		6pcs	T-2		1pc
		Bolt M8x15			Allen key 5#
G		4pcs	T-4		1pc
		NUT			Spanner



Step 5

A  30pcs
Single
Plastic CAP



Step 6

PASTE NON WOVEN FABRIC TO THE BOTTOM OF THE BED

