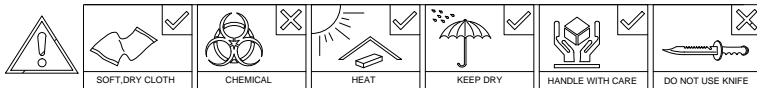
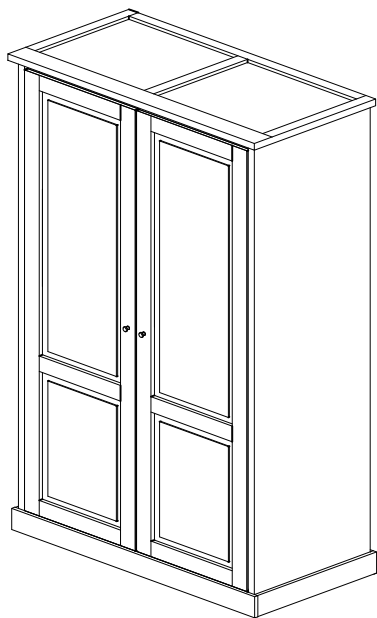


# ASSEMBLY INSTRUCTION

## WR 80145-S5V - EMMA KLEERKAST / ARMOIRE 2D / P / 2 DOORS WARDROBE

- ~ Before assembly, please read the instructions ~
- ~ Keep these instructions for future reference ~
- ~ Follow these steps to assemble the product ~

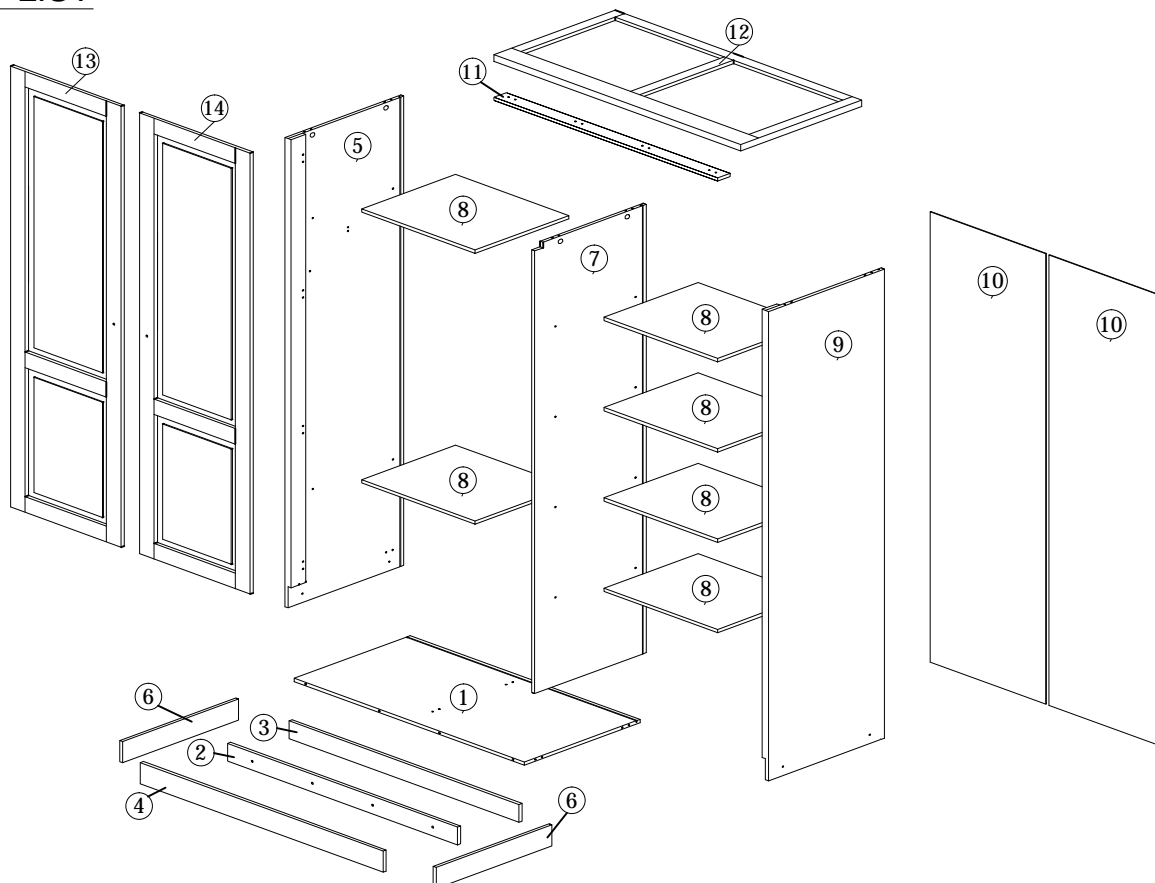


<b>HARDWARE</b>	<b>A</b>	<b>B</b>	<b>C</b>	<b>D</b>	<b>E</b>	<b>F</b>	<b>G1</b>	<b>G2</b>	<b>H</b>	<b>I</b>
	PLASTIC DOWEL 8X25 32pcs	16MM CB SCREW M3.5X16 36pcs	25MM CB SCREW M4X25 8pcs	50MM CSK CAP M6X50 4pcs	V-BRACKET 2pcs	PYRAMID ANGLE CORNER BLOCK 8pcs	HANDLE RA01835 (ANTIQUE ENGLISH) 2pcs	22MM HANDLE SCREW M4X22 2pcs	HINGES 7/8" 8pcs	PLASTIC PIN 6pcs
	<b>J1</b>	<b>J2</b>	<b>K1</b>	<b>K2</b>	<b>L</b>	<b>M</b>	<b>N</b>	<b>O</b>	<b>P</b>	
	MINIFIX 5654 (HOUSING) 16pcs	MINIFIX 5654 (SCREW) 16pcs	Q-FIT VB3500 (HOUSING) 24pcs	Q-FIT VB3500 (SCREW) 24pcs	CAP 16pcs	ALLEN KEY 1pc	CHROME PIPE (538MM) 1pc	PLASTIC CORNER BLOCK 4pcs	20MM CB SCREW M4X20 16pcs	

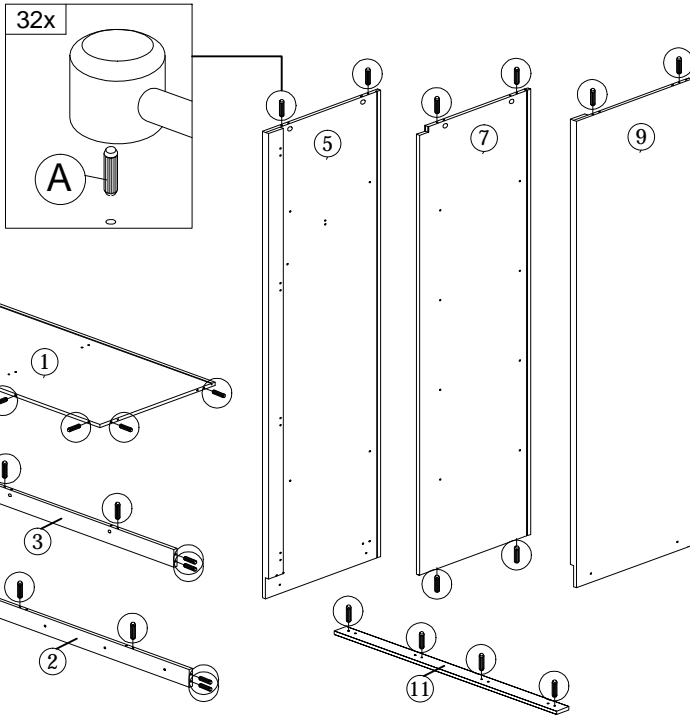
**Q**

POWER NAIL 1/4"  
18pcs

### PART LIST

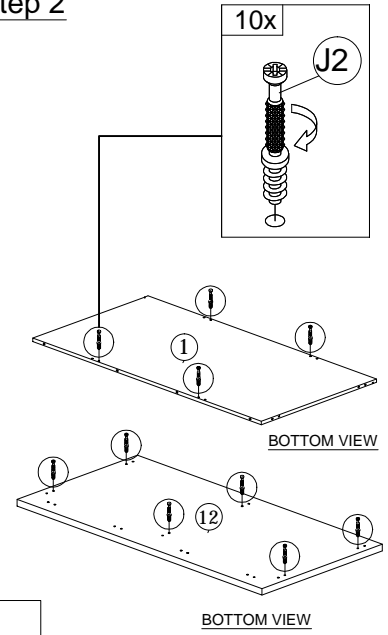


### Step 1



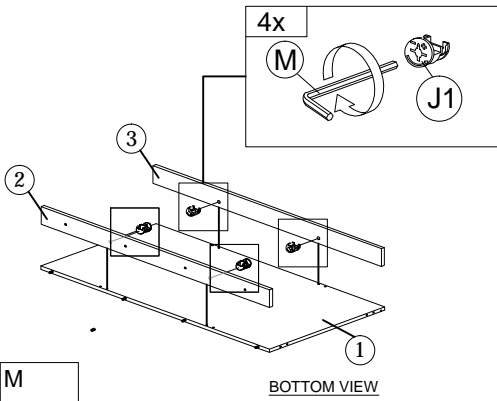
**A**  
  
 PLASTIC DOWEL  
 8X25  
 32 pcs


### Step 2




**J2**  
  
 MINIFIX  
 5654  
 (SCREW)  
 10 pcs

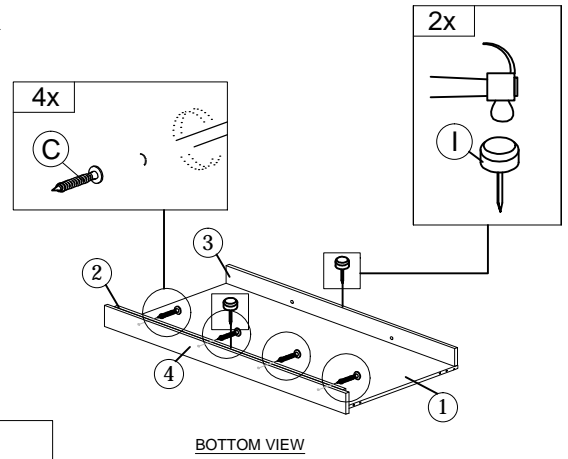
### Step 3





**J1**  
  
 MINIFIX  
 5654  
 (HOUSING)  
 4 pcs

**M**  
  
 ALLEN KEY  
 1 pc

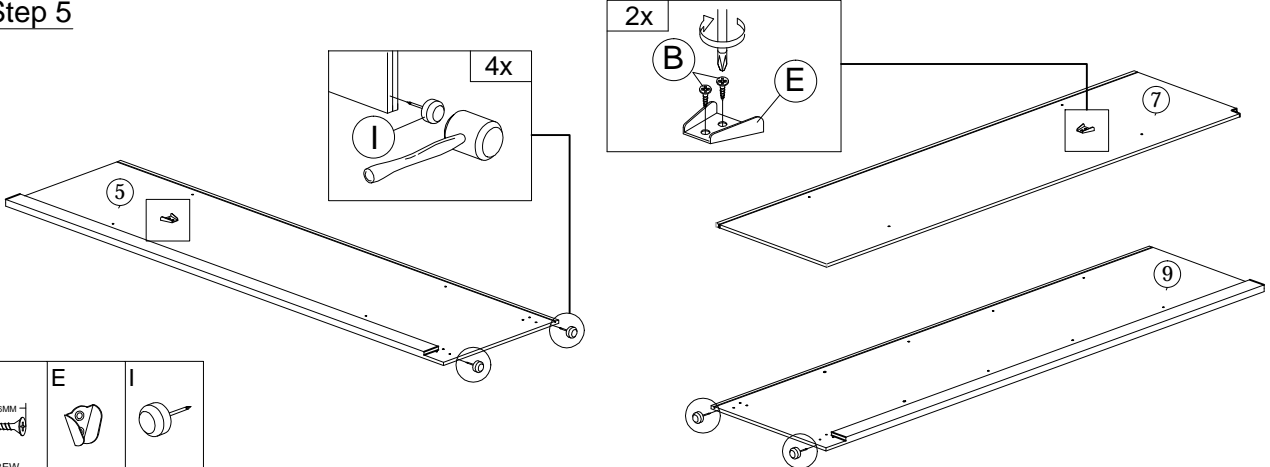
### Step 4





**C**  
  
 CB SCREW  
 M4X25  
 4 pcs


**I**  
  
 PLASTIC PIN  
 2 pcs

### Step 5

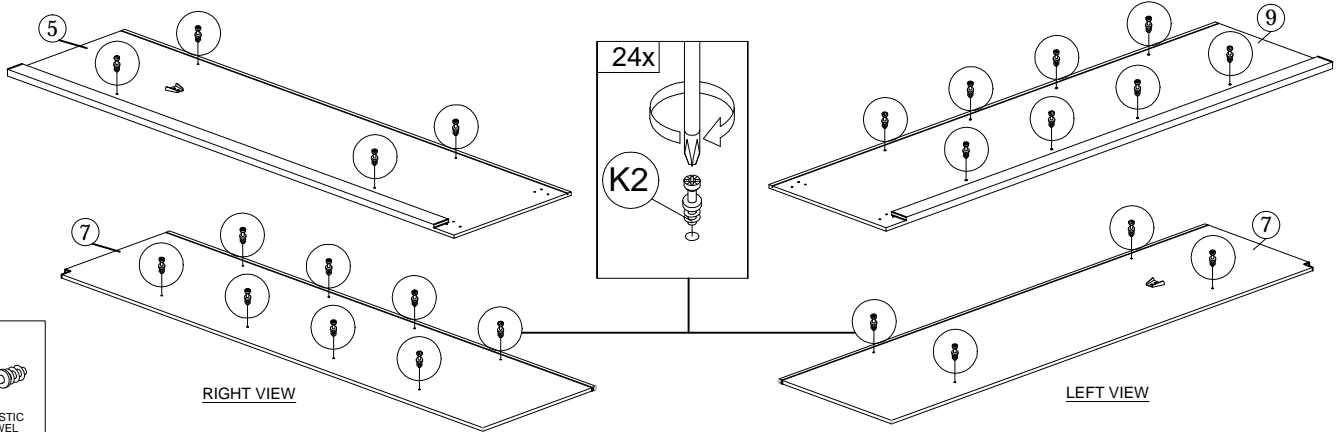


**B**  
  
 CB SCREW  
 M3.5X16MM  
 4 pcs

**E**  
  
 V-BRACKET  
 2 pcs

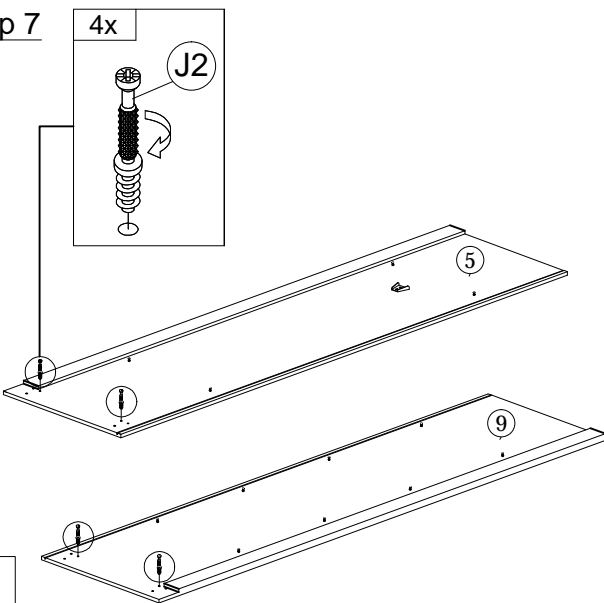
**I**  
  
 PLASTIC PIN  
 4 pcs

### Step 6



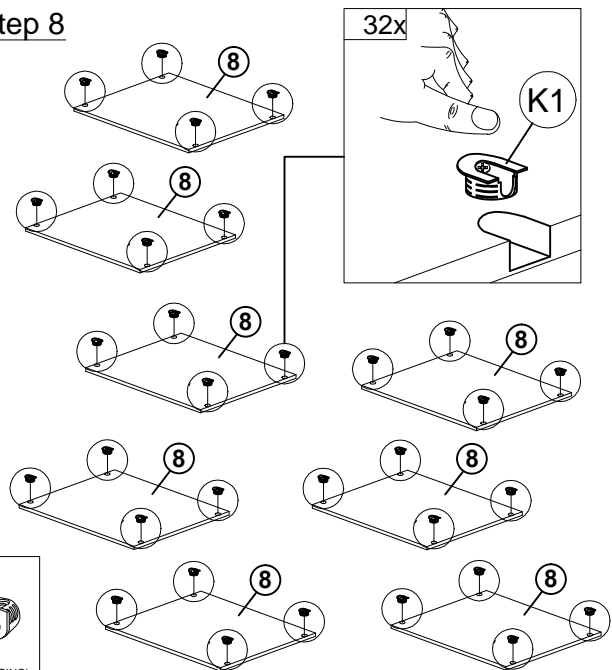
**K2**  
  
 PLASTIC  
 DOWEL  
 8X25  
 24 pcs

### Step 7



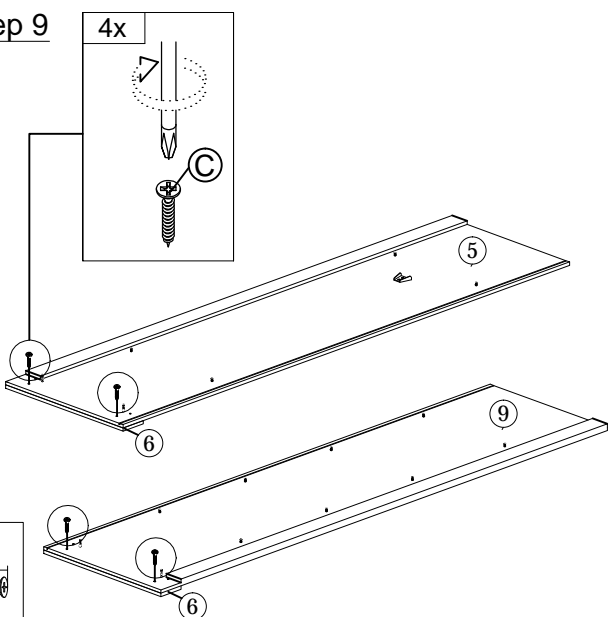
**J2**  
  
 MINIFIX  
 5654  
 (SCREW)  
 4 pcs


### Step 8



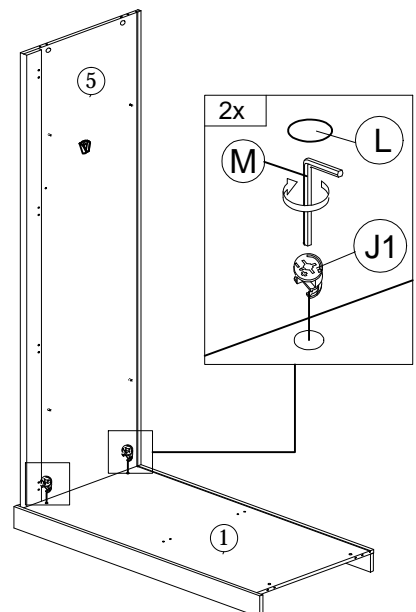
**K1**  
  
 Q-FIT  
 (HOUSING)  
 32 pcs




### Step 9



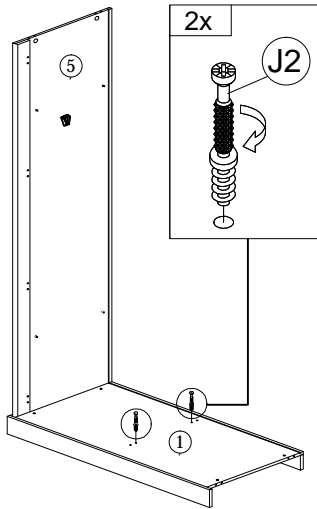
**C**  
  
 CB SCREW  
 M4X25  
 4 pcs

### Step 10



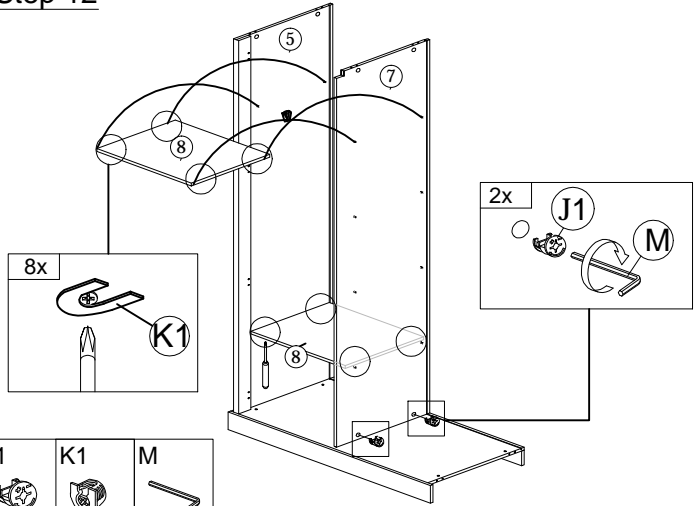
<b>J1</b>  MINIFIX 5654 (HOUSING) 2 pcs	<b>L</b>  CAP 2 pcs	<b>M</b>  ALLEN KEY 1 pc
---	---	--




### Step 11



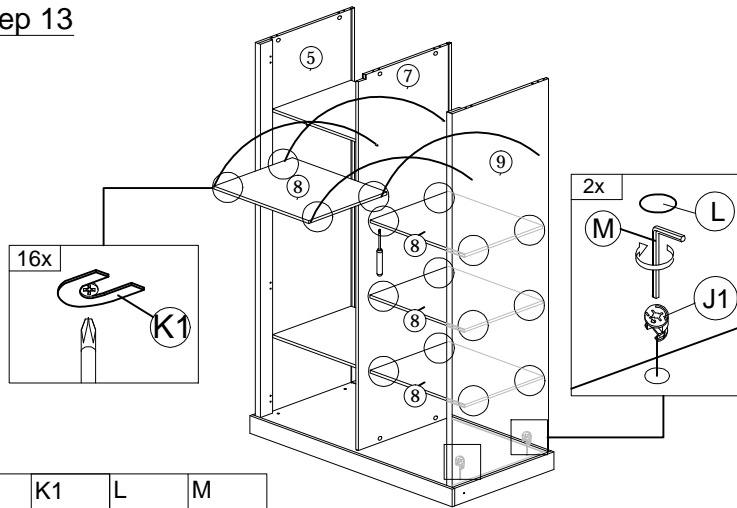
**J2**  
  
 MINIFIX  
 5654  
 (SCREW)  
 2 pcs





### Step 12



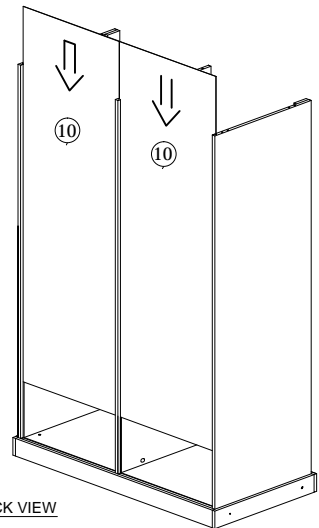
<b>J1</b>  MINIFIX 5654 (HOUSING) 2 pcs	<b>K1</b>  Q-FIT VB3500 (HOUSING) 8 pcs	<b>M</b>  ALLEN KEY 1 pc
---	--	--

### Step 13

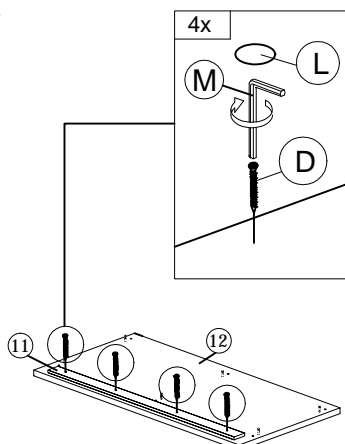


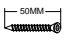


<b>J1</b>  MINIFIX 5654 (HOUSING) 2 pcs	<b>K1</b>  Q-FIT VB3500 (HOUSING) 16 pcs	<b>L</b>  CAP 2 pcs	<b>M</b>  ALLEN KEY 1 pc
---	---	---	--

### Step 14



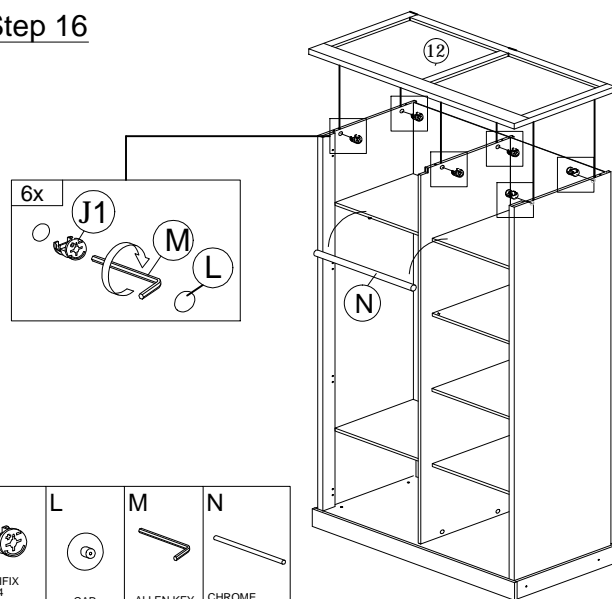
### Step 15




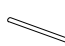


<b>D</b>  CSK CAP M6X50 4 pcs	<b>L</b>  CAP 4 pcs	<b>M</b>  ALLEN KEY 1 pc
---	---	--

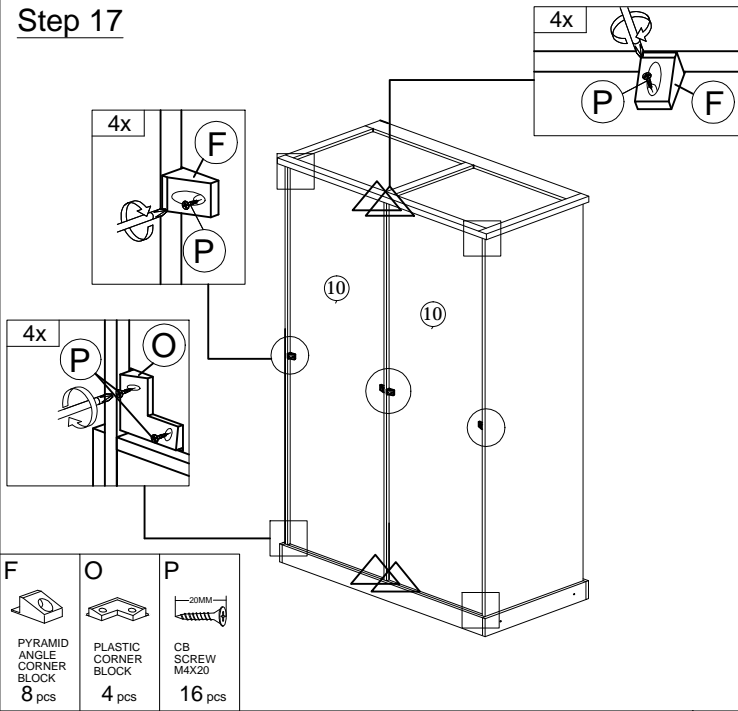
BOTTOM VIEW

### Step 16



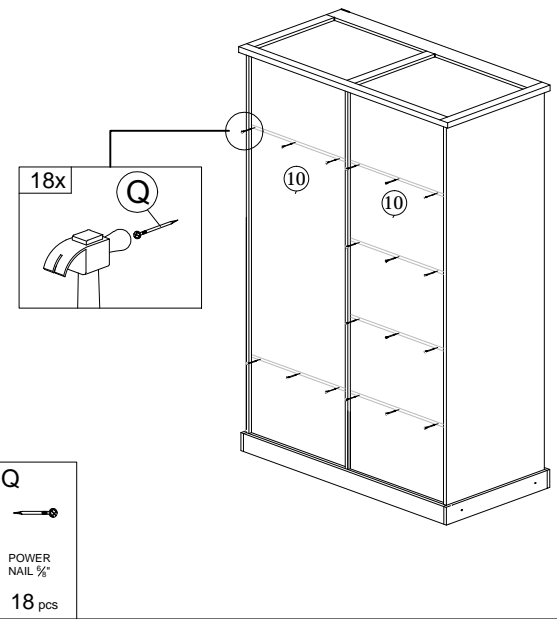
<b>J1</b>  MINIFIX 5654 (HOUSING) 6 pcs	<b>L</b>  CAP 6 pcs	<b>M</b>  ALLEN KEY 1 pc	<b>N</b>  CHROME PIPE (535MM) 1 pc
---	---	--	---

### Step 17



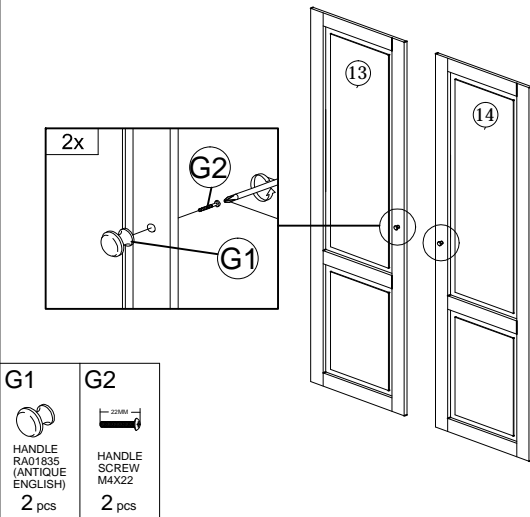
- |  |   |  |
|--|---|--|
| <b>F</b><br>PYRAMID<br>ANGLE<br>CORNER<br>BLOCK<br>8 pcs | <b>O</b><br>PLASTIC<br>CORNER<br>BLOCK<br>4 pcs | <b>P</b><br>CB<br>SCREW<br>M4X20<br>16 pcs |
|--|---|--|

### Step 18



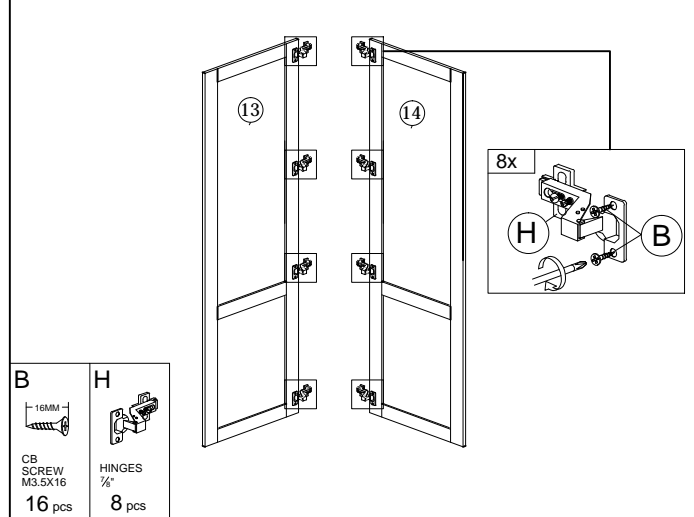
- |  |
|--|
| <b>Q</b><br>POWER<br>NAIL 1/4"<br>18 pcs |
|--|

### Step 19



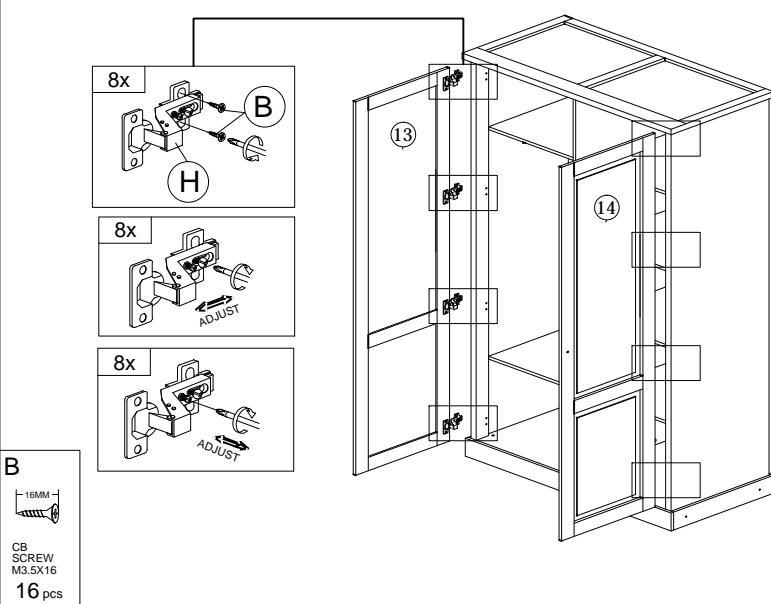
- |   |  |
|---|--|
| <b>G1</b><br>HANDLE<br>RA01835<br>(ANTIQUÉ<br>ENGLISH)<br>2 pcs | <b>G2</b><br>HANDLE<br>SCREW<br>M4X22<br>2 pcs |
|---|--|

### Step 20



- |  |                                     |
|--|-------------------------------------|
| <b>B</b><br>CB<br>SCREW<br>M3.5X16<br>16 pcs | <b>H</b><br>HINGES<br>1/2"<br>8 pcs |
|--|-------------------------------------|

### Step 21



- |  |
|--|
| <b>B</b><br>CB<br>SCREW<br>M3.5X16<br>16 pcs |
|--|

### Completed

