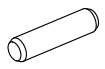
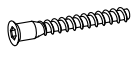
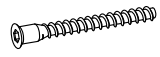





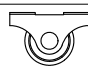


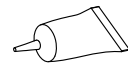

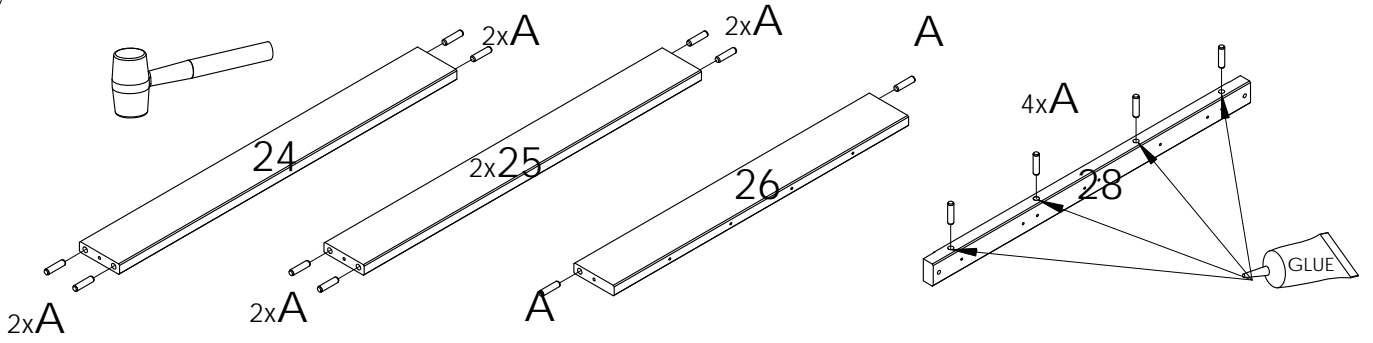


A		10x40	x18
K		7x50	x6
H		7x60	x4
N		5x38	x24
R		5x50	x2
W		D19x6	x2
F1		D19x16	x2

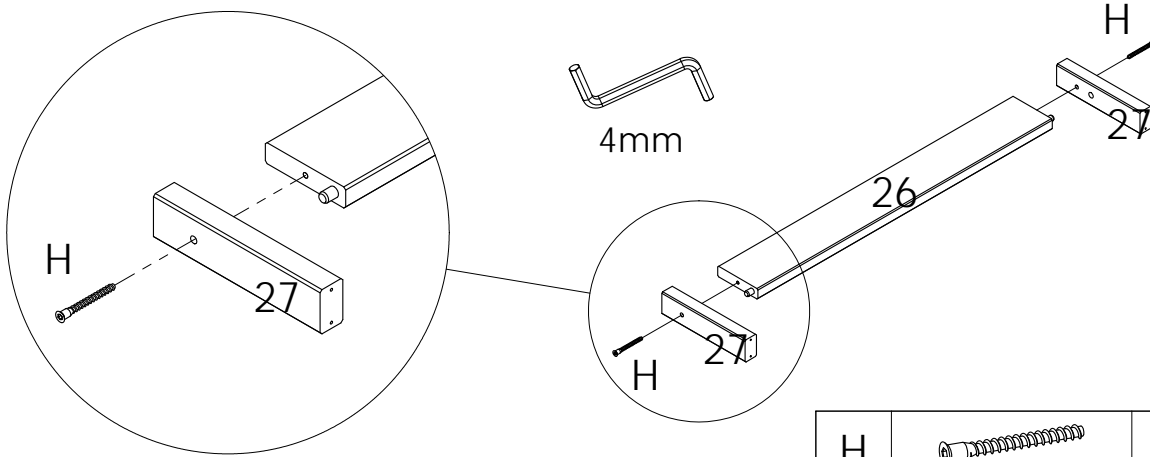
G1		D6x70	x2
K1		D26	x2
J1		3,5x16	x9
X		D4x13	x6
P1		GLUE	x1
R1		4mm	x1

18



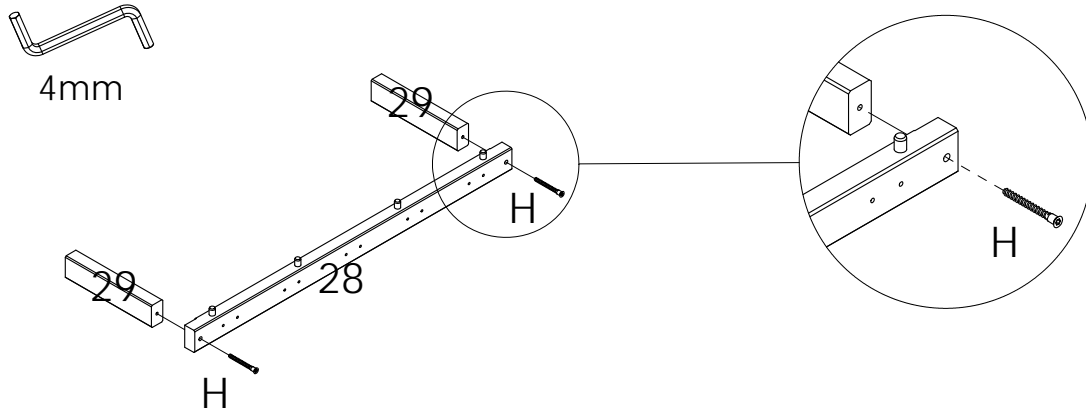
A		10x40	x18
---	---	-------	-----

19



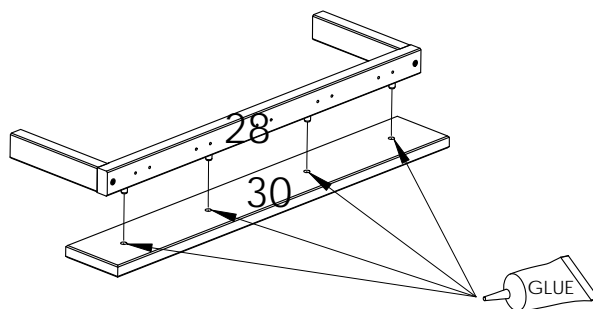
H		7x60	x2
---	---	------	----

20

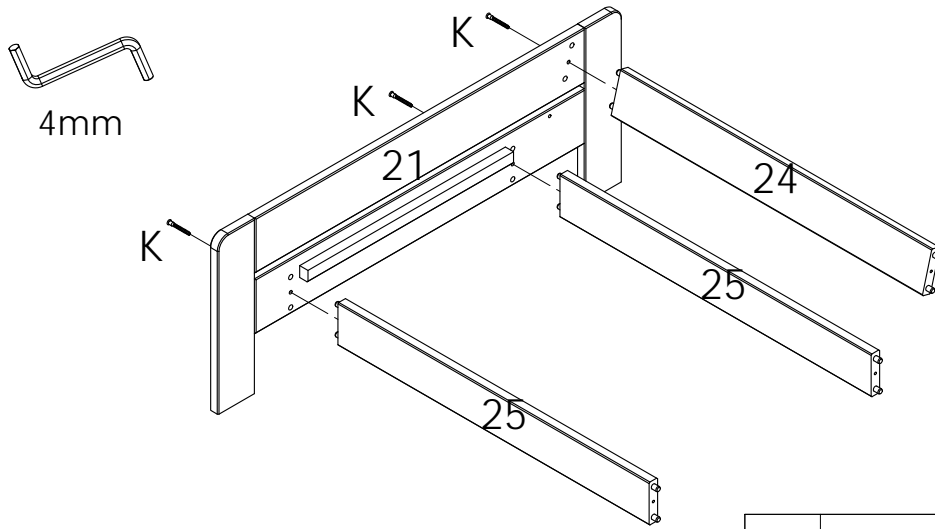



H		7x60	x2
---	---	------	----

21

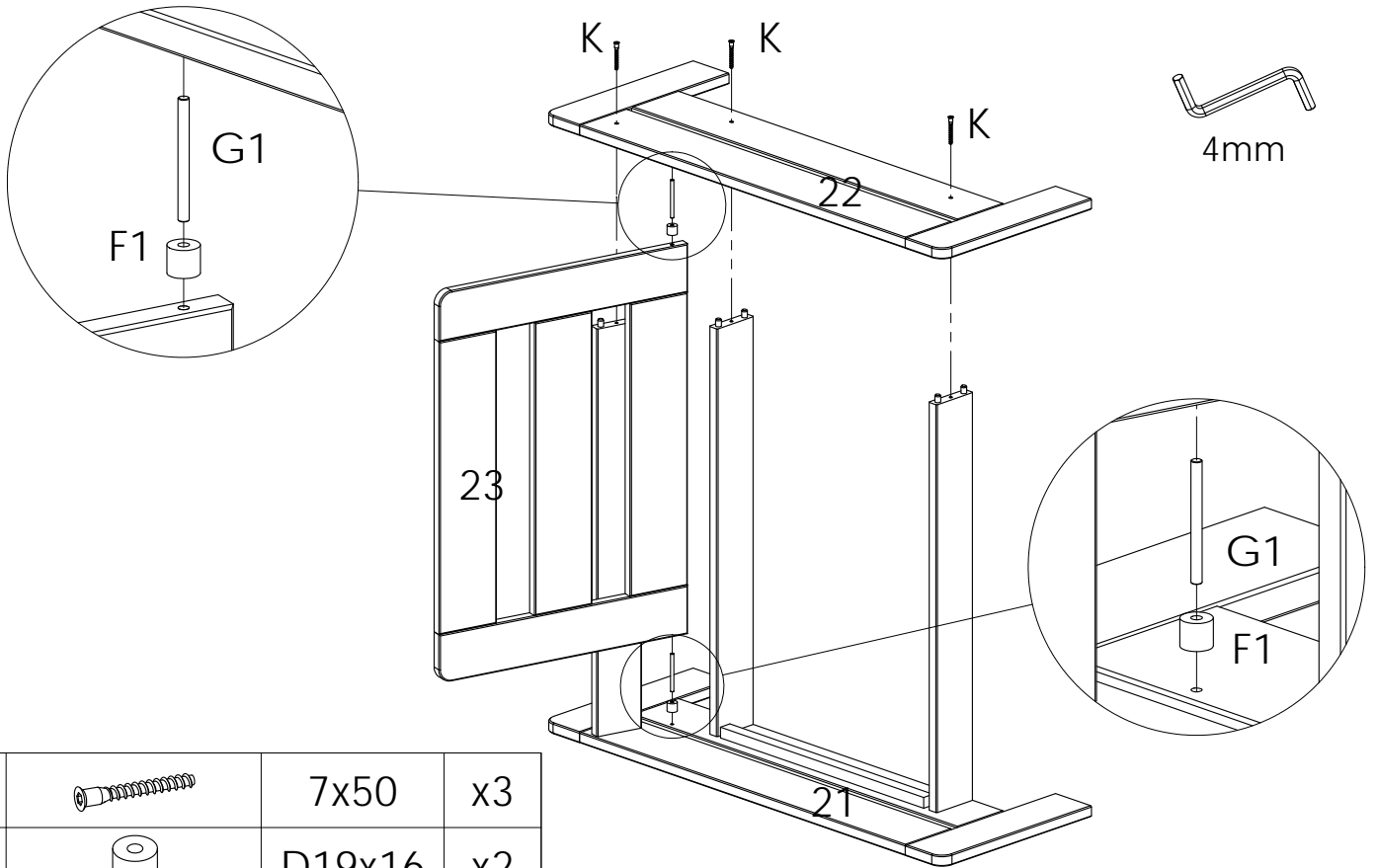



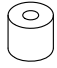

22



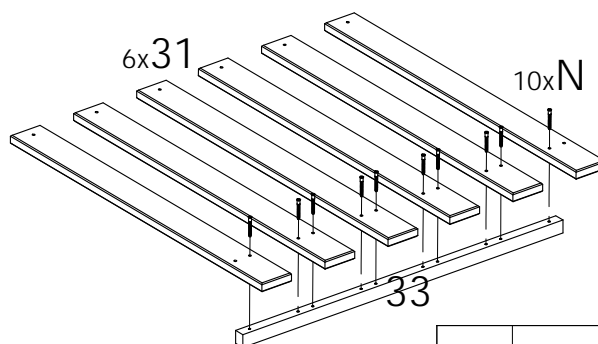
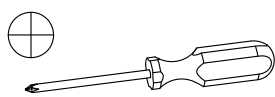
K		7x50	x3
---	---	------	----

23



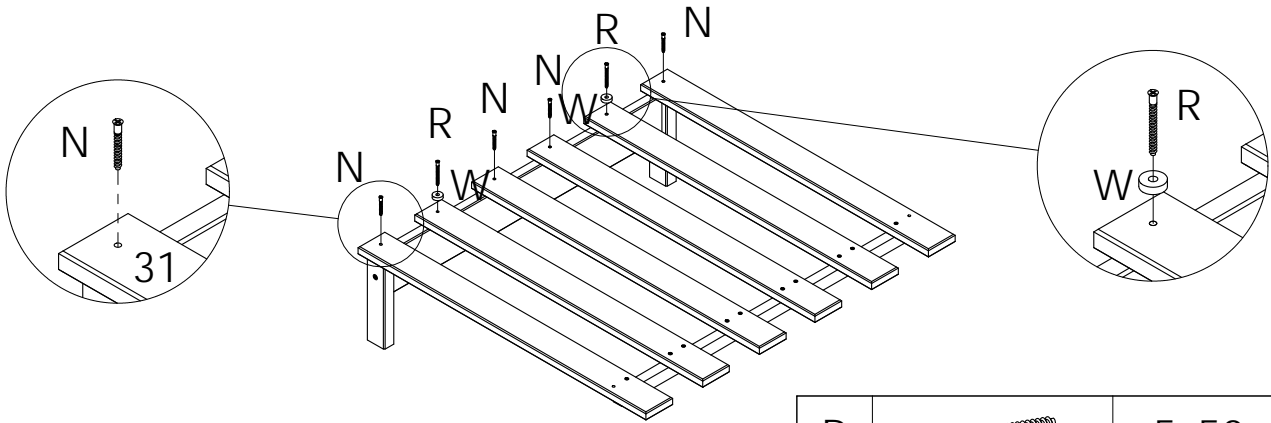
K		7x50	x3
F1		D19x16	x2
G1		D6x70	x2

24



N		5x38	x10
---	---	------	-----

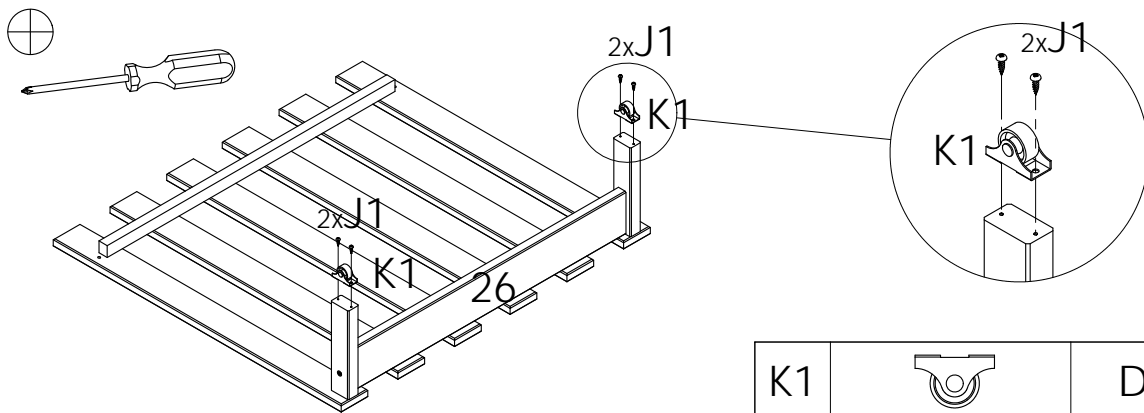
25



N		5x38	x4
---	--	------	----

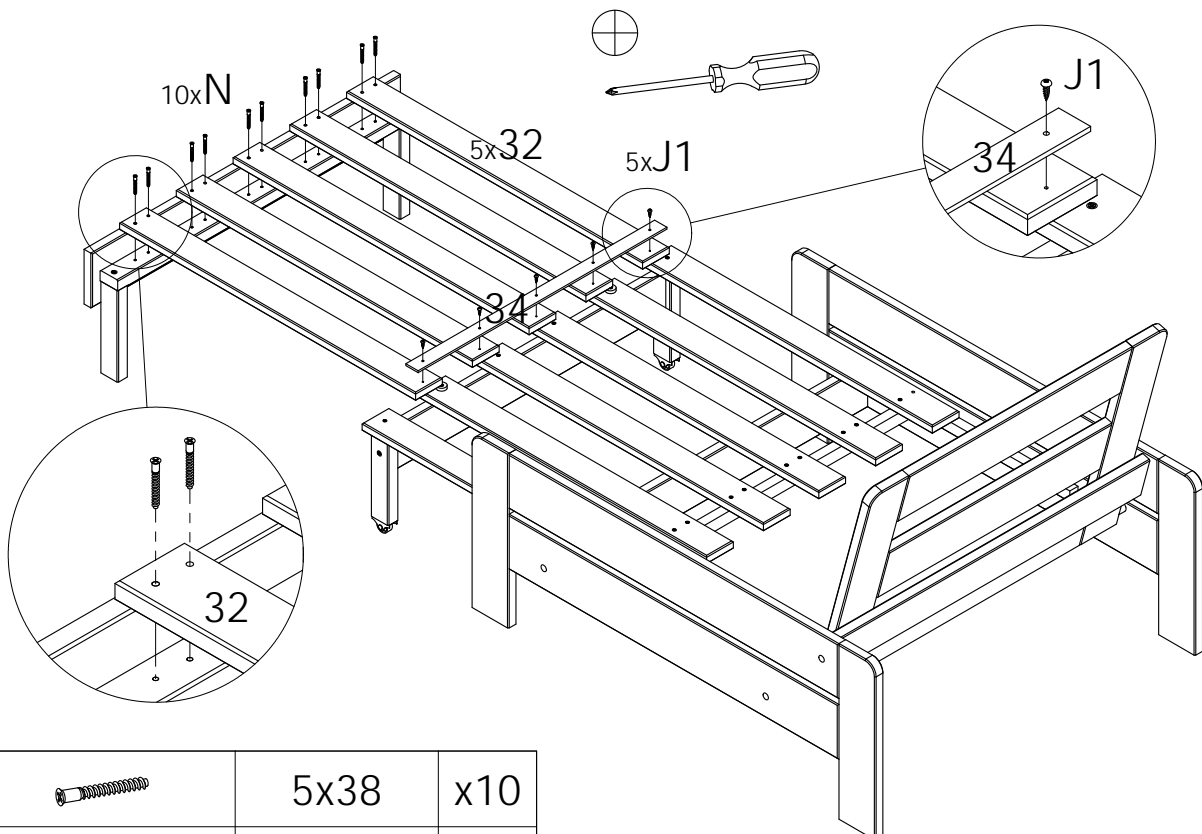
R		5x50	x2
W		D19x6	x2

26



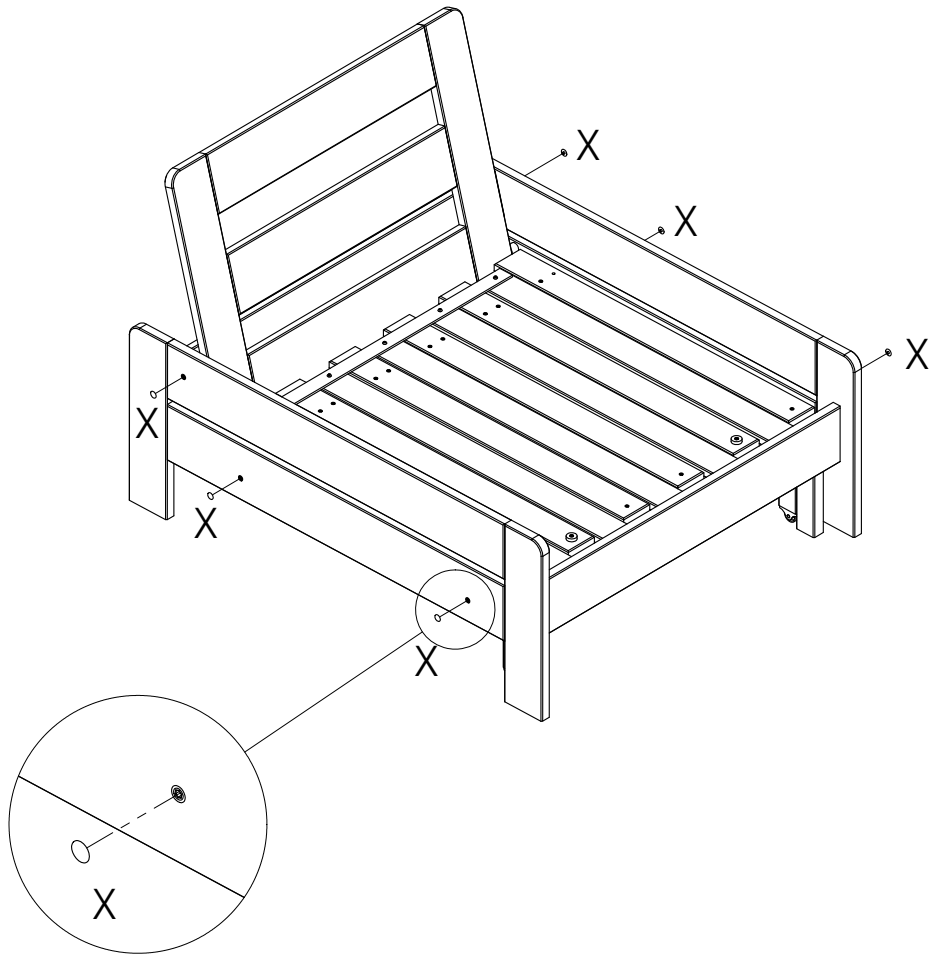
K1		D26	x2
J1		3,5x16	x4

27



N		5x38	x10
J1		3,5x16	x5

28



X		D4x13	x6
---	---	-------	----