

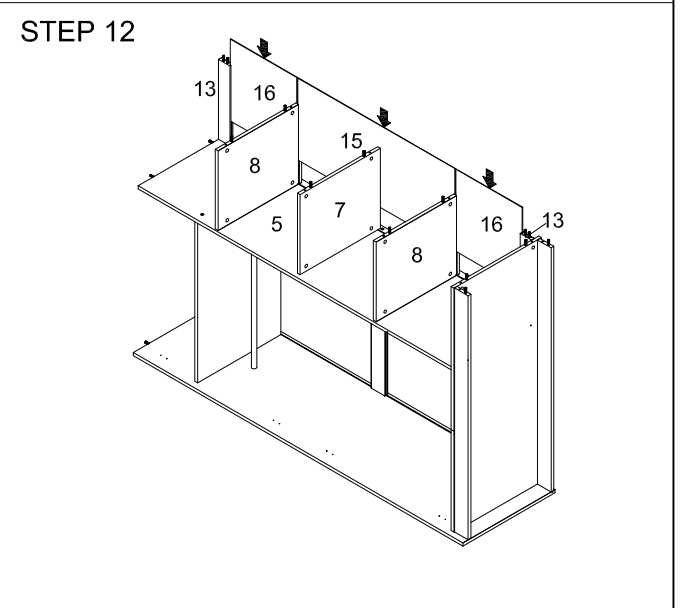
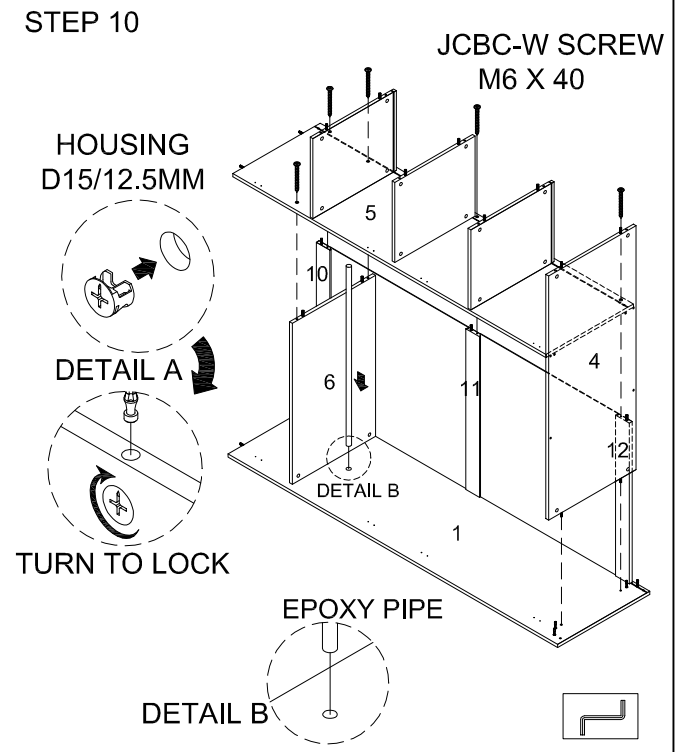
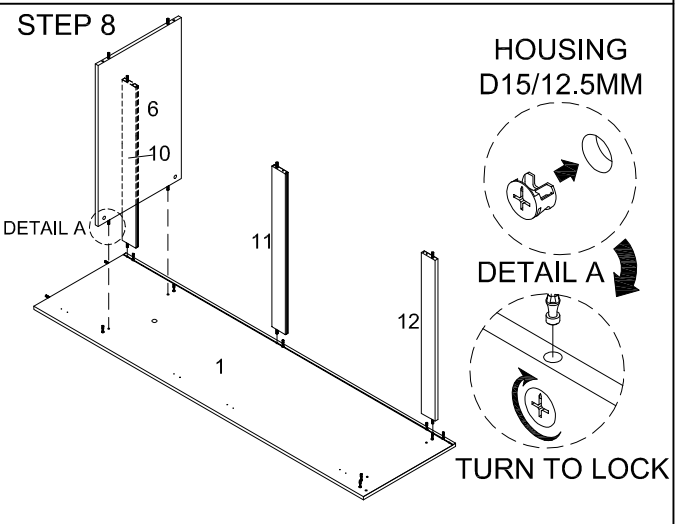
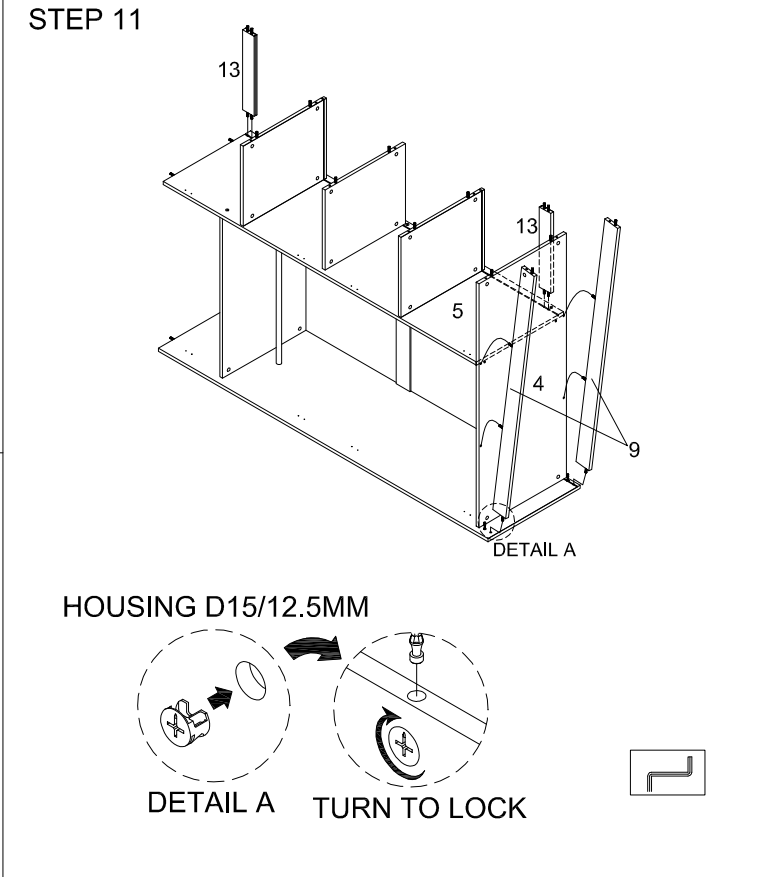
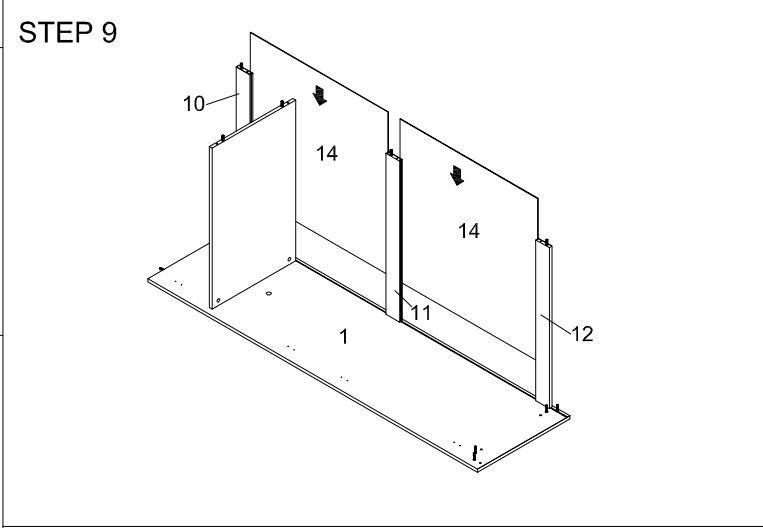
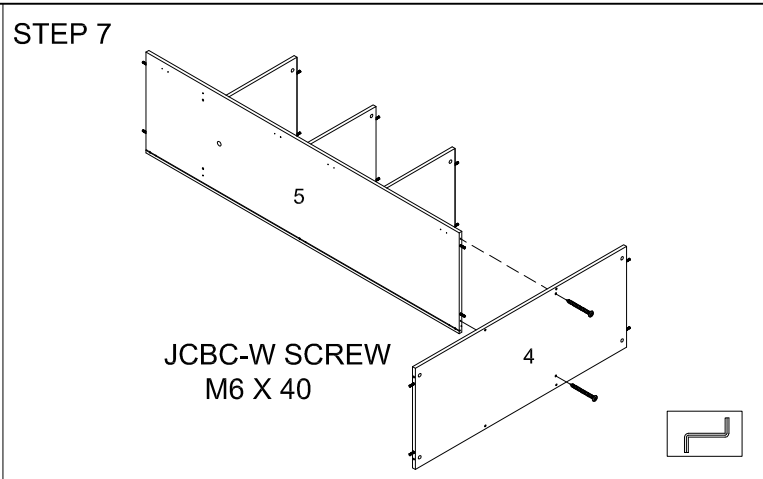
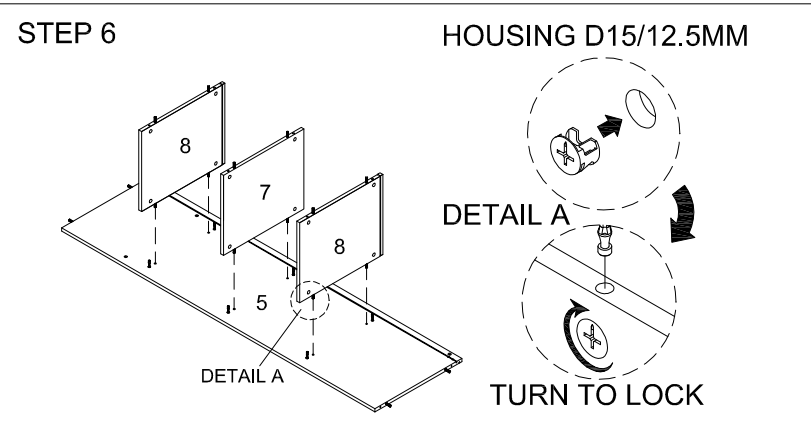
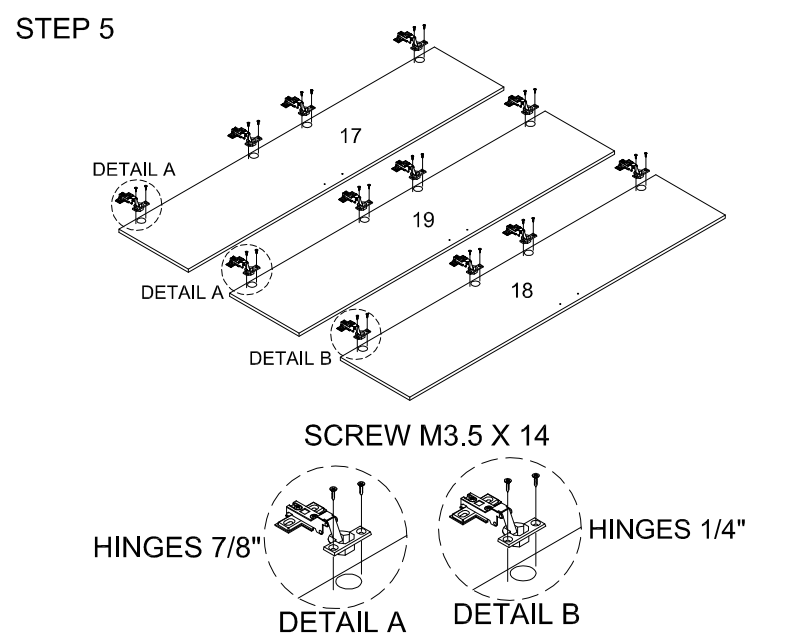
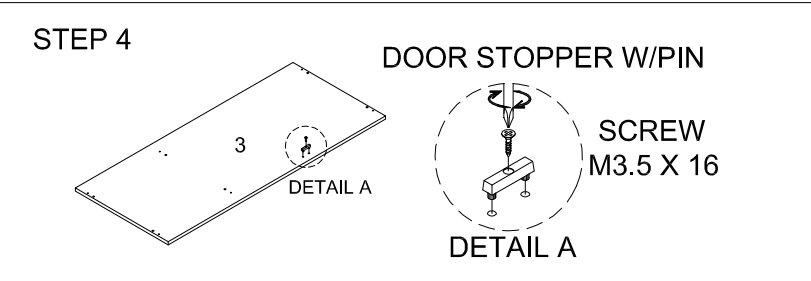
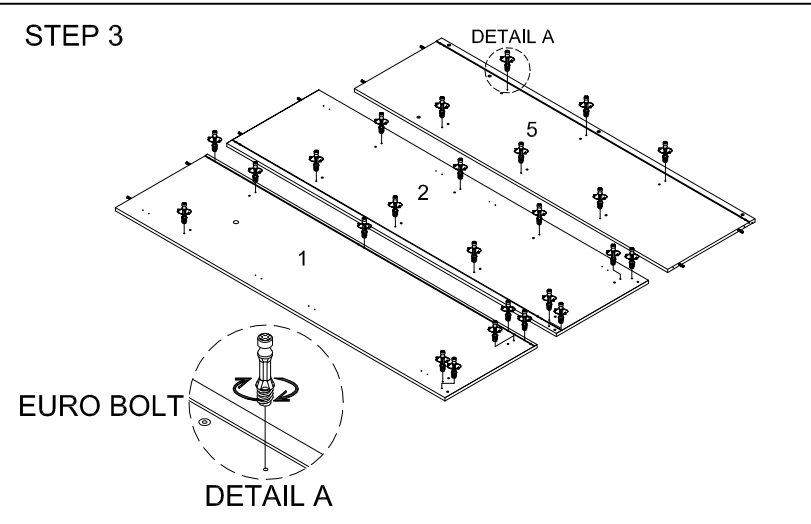
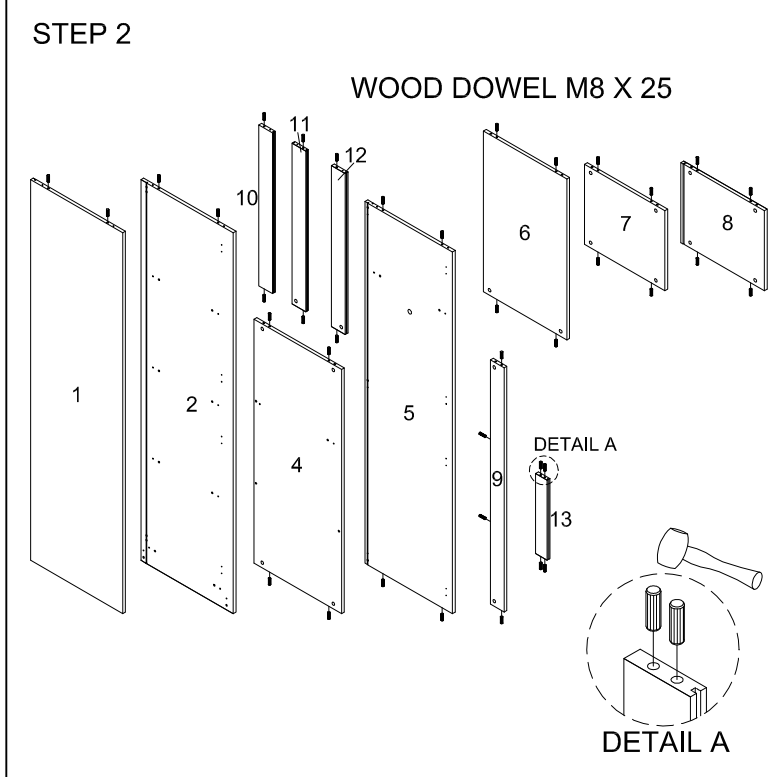
# ASSEMBLING INSTRUCTIONS

**6310**

CAUTION :  
THIS ITEM IS MADE OF LAMINATED PARTICLE BOARD AND MEDIUM DENSITY FIBRE BOARD  
TO BE ASSEMBLED ON A DRY, SOFT, SMOOTH AND CLEAN SURFACE . DO NOT USE DETERGENT OR CHEMICAL. AVOID DAMP AND SUNLIGHT.

STEP 1	CHECK YOUR HARDWARE	8987
	DOOR STOPPER W/PIN	1 PCS
	SCREW M3.5 X 16	2 PCS
	CORNER BLOCK	8 PCS
	SCREW M3 X 20	8 PCS
	SCREW M3.5 X 14	48 PCS
	WOOD DOWEL M8 X 25	50 PCS
	EURO BOLT	25 PCS
	HOUSING D:15/12.5MM	25 PCS
	PAN HEAD SCREW #6 X 22	6 PCS
	WEBBING	1 PCS
	ALLEN KEY	1 PCS
	SHELF ADHESIVE STOPPER	6 PCS
	LEG STUD	8 PCS
	JCBC-W SCREW M6 X 40	13 PCS
	HINGES 7/8"	8 SETS
	HINGES 1/4" (BLUE PLASTIC BAG)	4 SETS
	HANDLE	3 PCS
	EPOXY PIPE	1 PCS

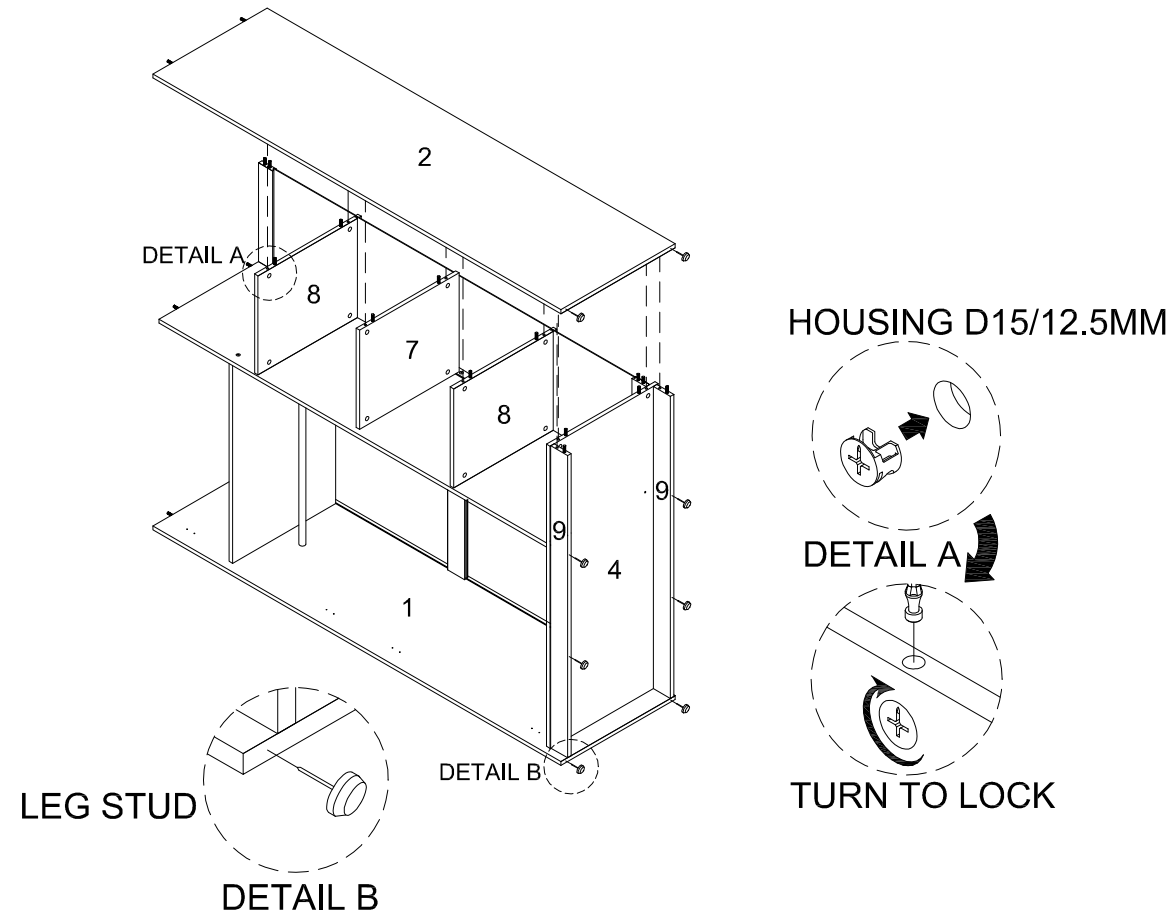
TOOLS REQUIRED			
	SCREW DRIVER		HAMMER



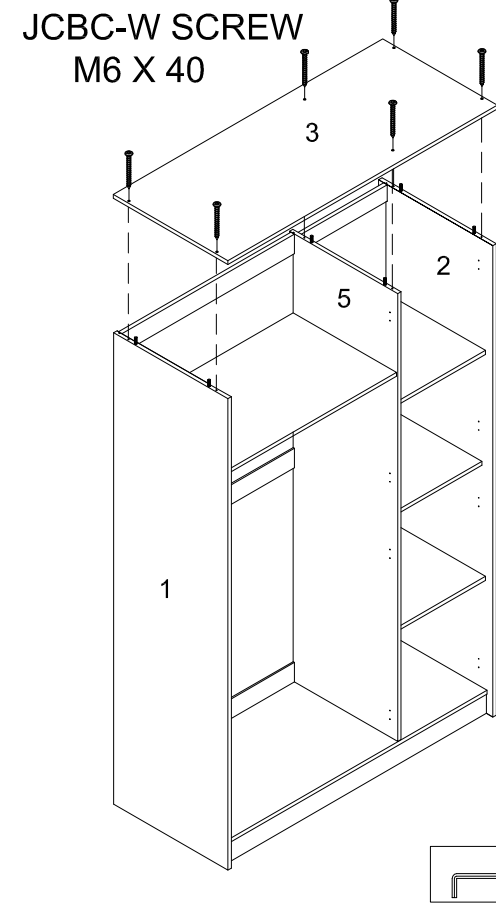
# ASSEMBLING INSTRUCTIONS

CAUTION :  
 THIS ITEM IS MADE OF LAMINATED PARTICLE BOARD AND MEDIUM DENSITY FIBRE BOARD  
 TO BE ASSEMBLED ON A DRY, SOFT, SMOOTH AND CLEAN SURFACE . DO NOT USE DETERGENT OR CHEMICAL. AVOID DAMP AND SUNLIGHT.

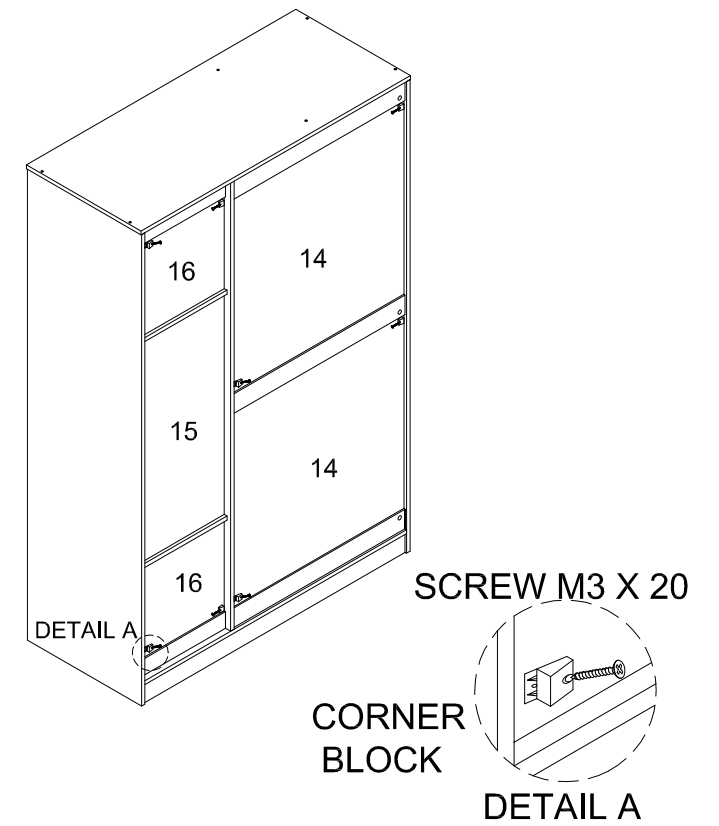
## STEP 13



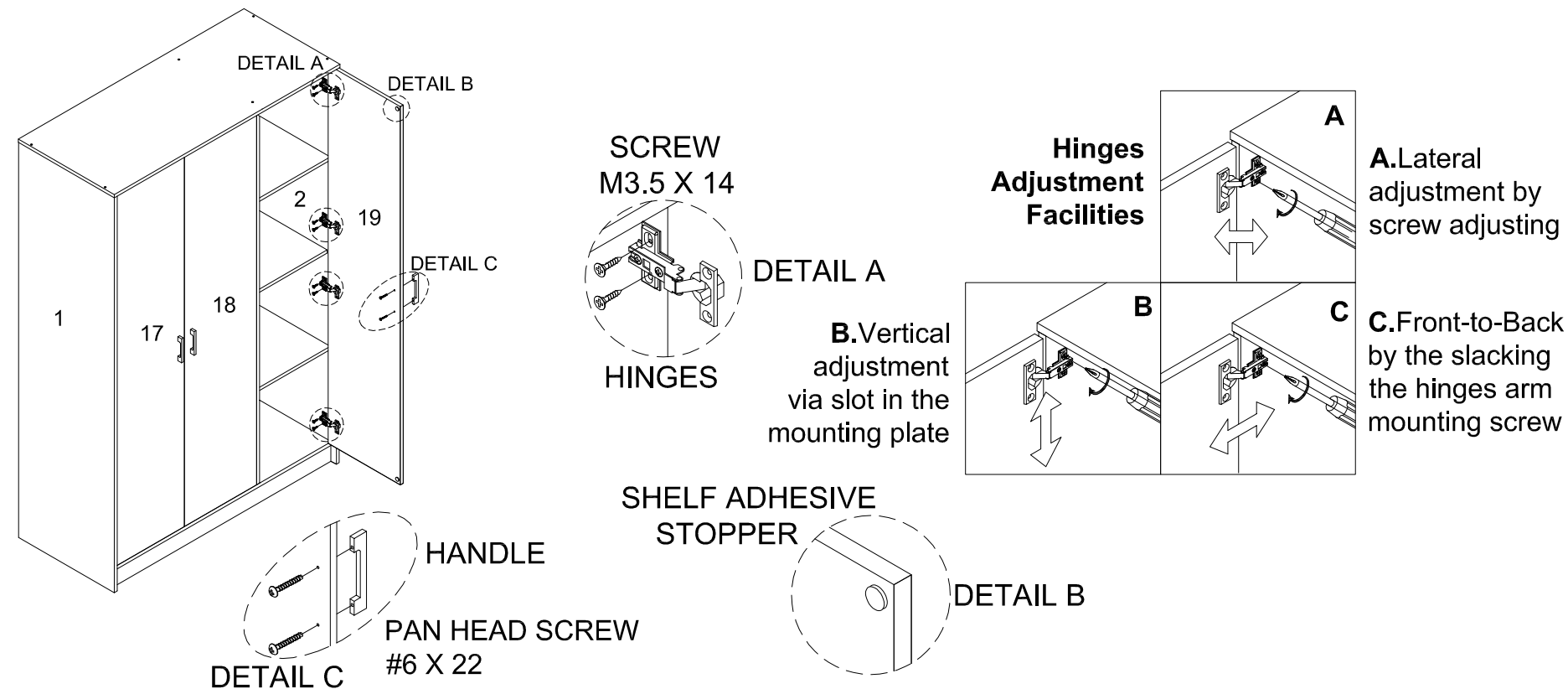
## STEP 14



## STEP 15



## STEP 16



## STEP 17

