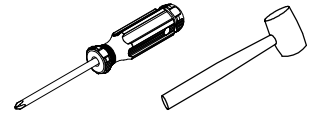


ASSEMBLY INSTRUCTIONS 6090

CAUTION :

- BEFORE ASSEMBLING, READ ALL THE INSTRUCTION.
- ENSURE ALL COMPONENTS ARE PLACE ONTO CARDBOARD AS PROTECTION.
- CLEAN SURFACE WITH A DRY OR DAMP SOFT CLOTH.
- DO NOT USE ABRASIVE CLEANERS, DETERGENT OR CHEMICAL.

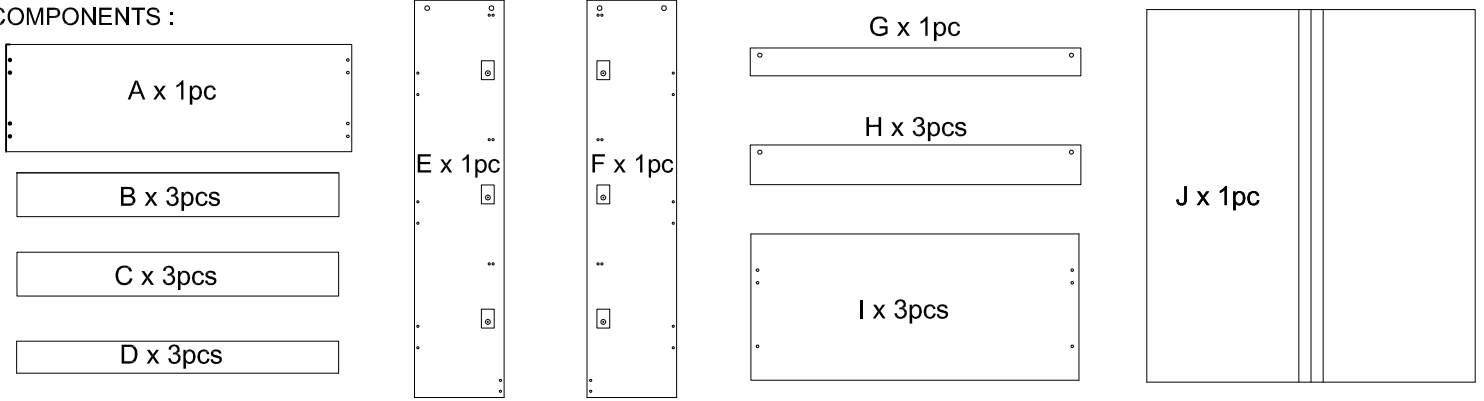
TOOLS REQUIRED :



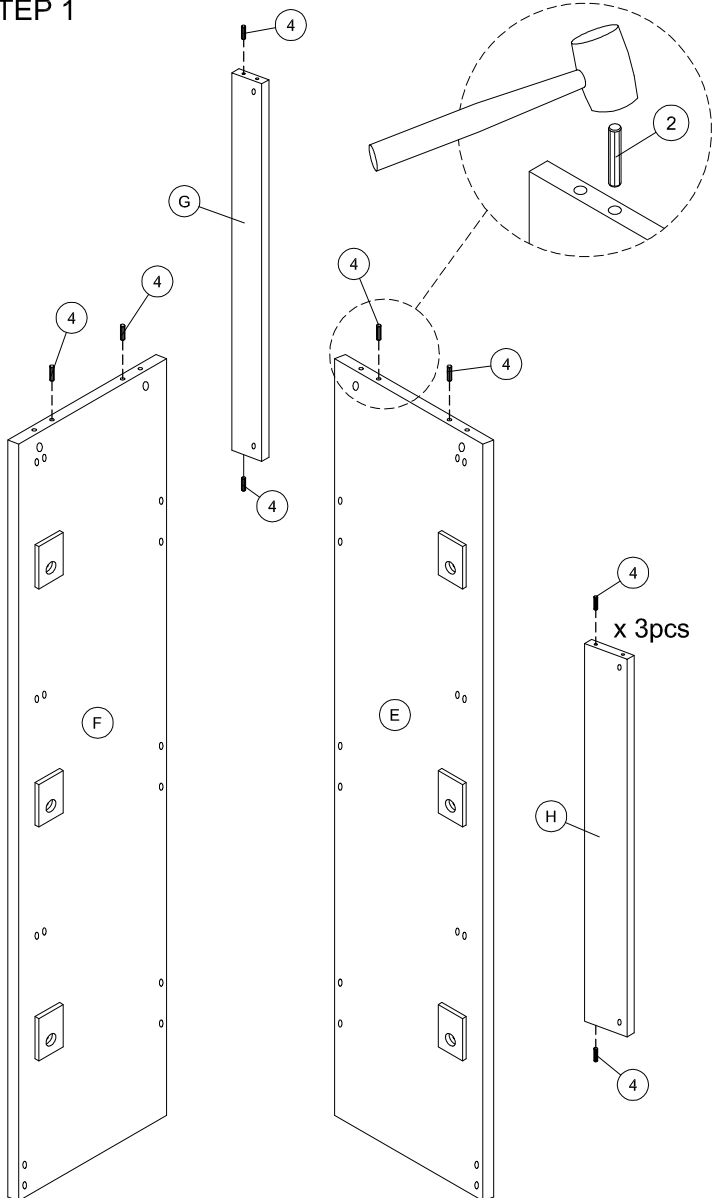
HARDWARE :

1	2	3	4	5	6	7	8	9	10	11
x 12 PCS	x 12 PCS	x 12 PCS	x 12 PCS	x 3 SETS	x 6 SETS	x 38 PCS	CBS 3.5 X 16	PHCB 3.5 X 23	PH 4 X 12.5	
							x 18 PCS	x 6 PCS	x 18 PCS	x 6 PCS

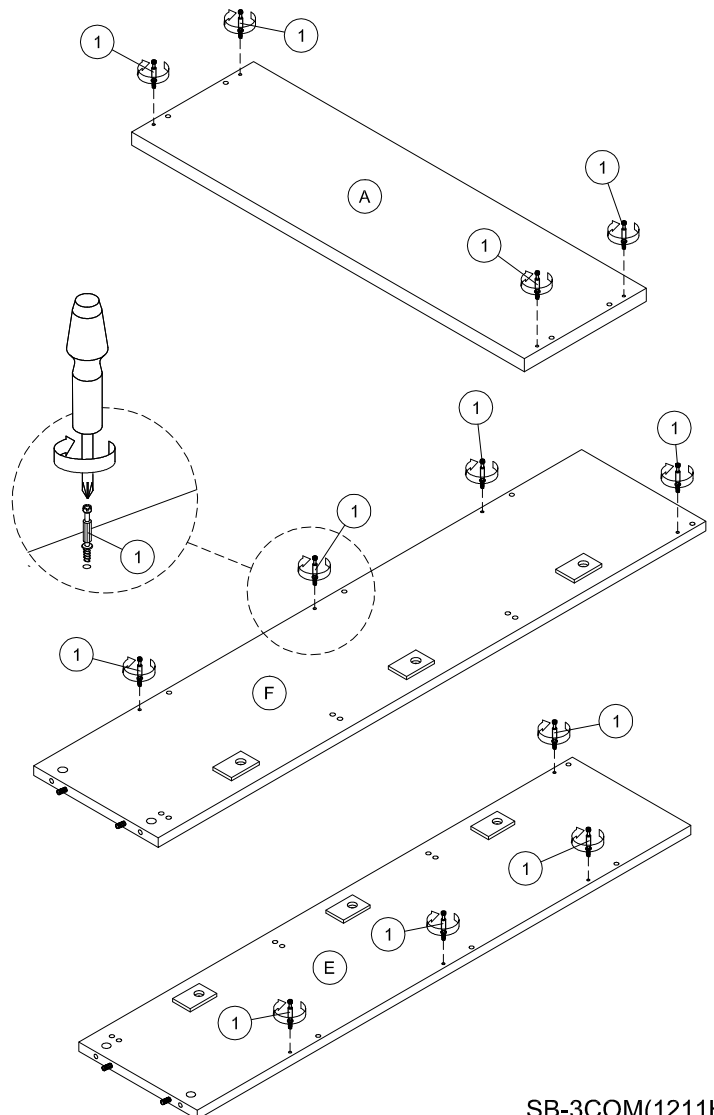
COMPONENTS :



STEP 1

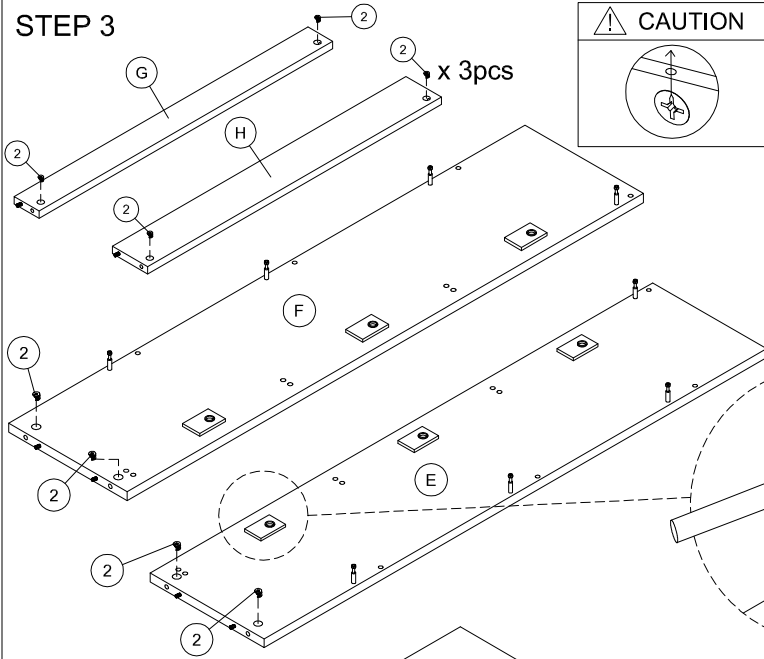


STEP 2

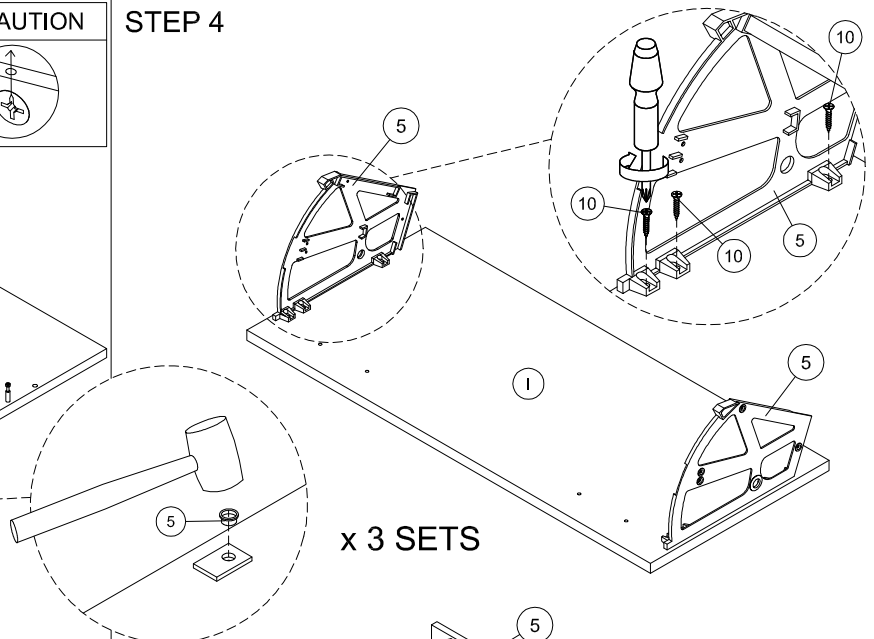


ASSEMBLY INSTRUCTIONS

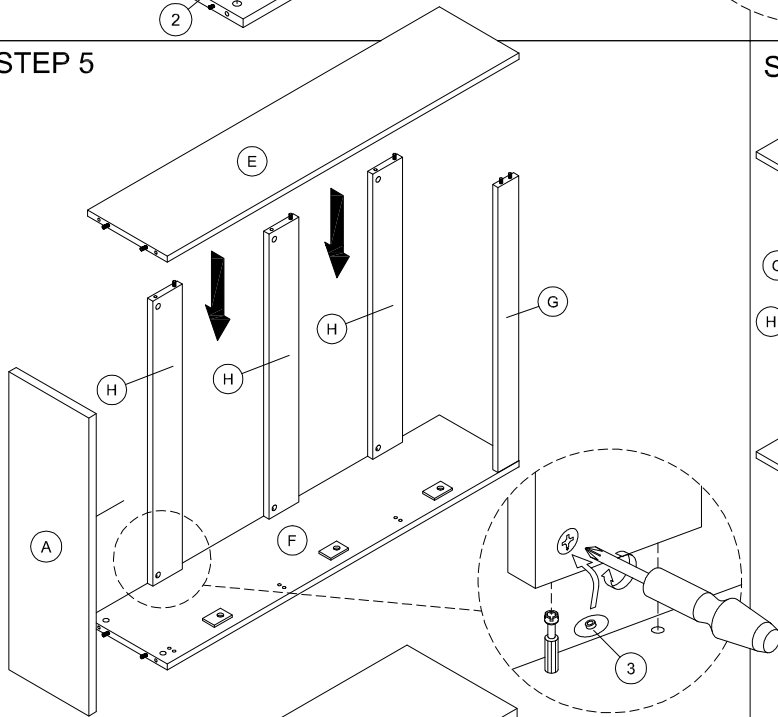
STEP 3



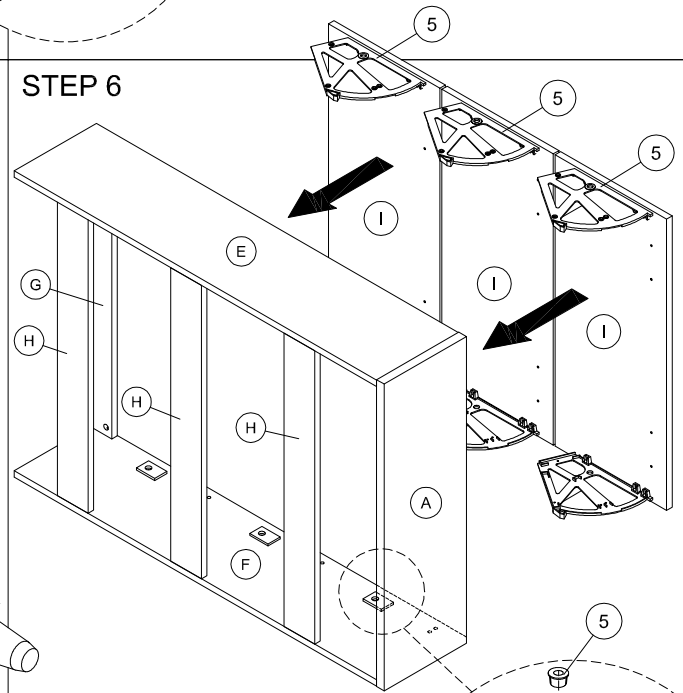
STEP 4



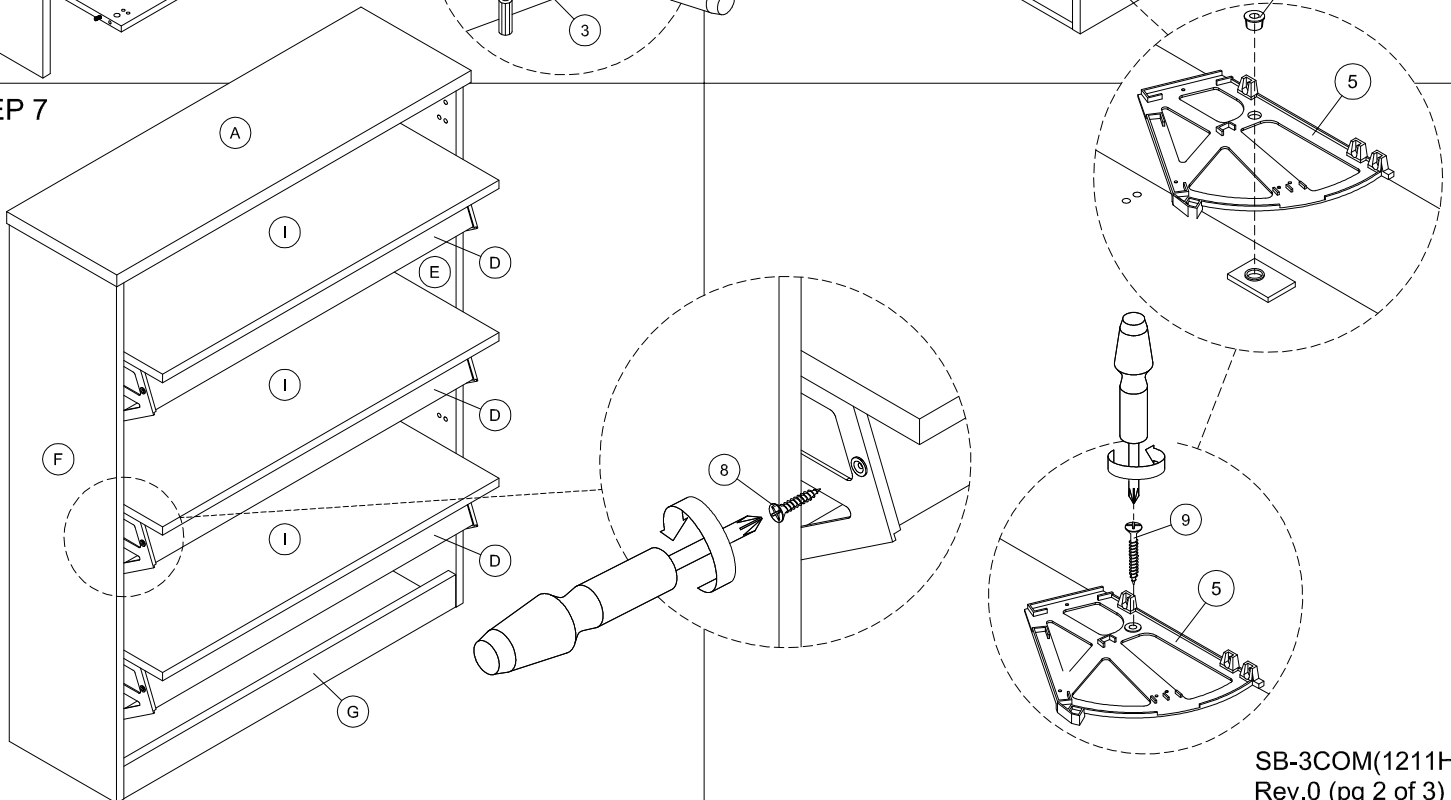
STEP 5



STEP 6

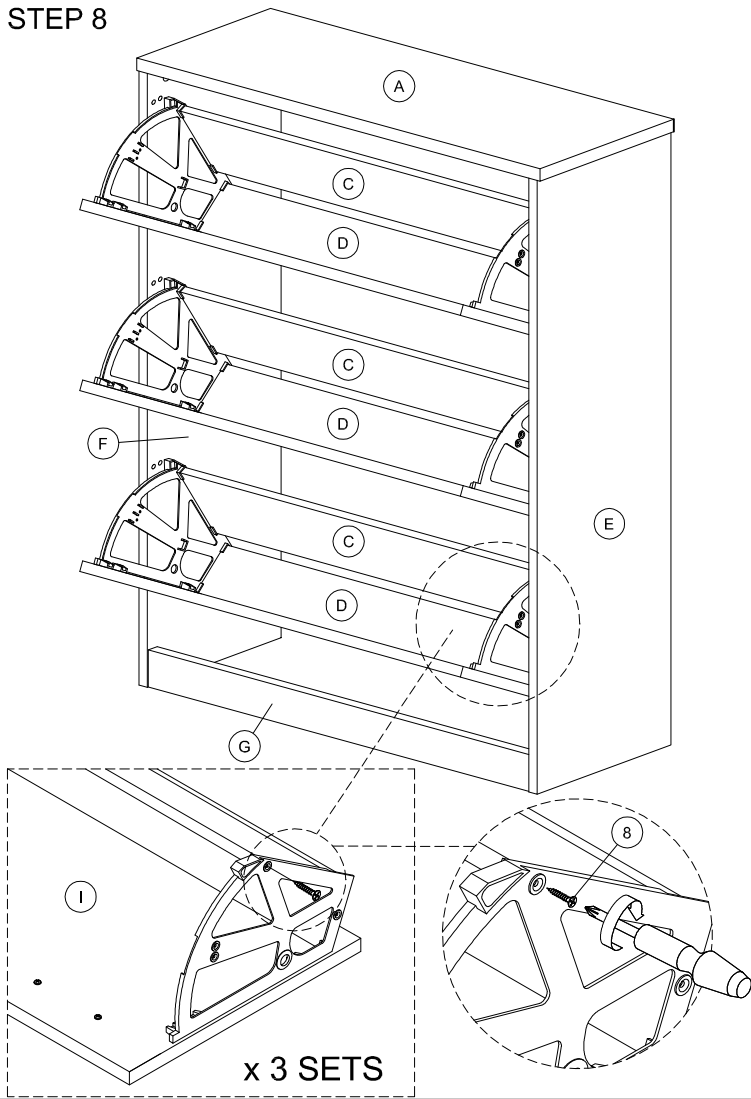


STEP 7

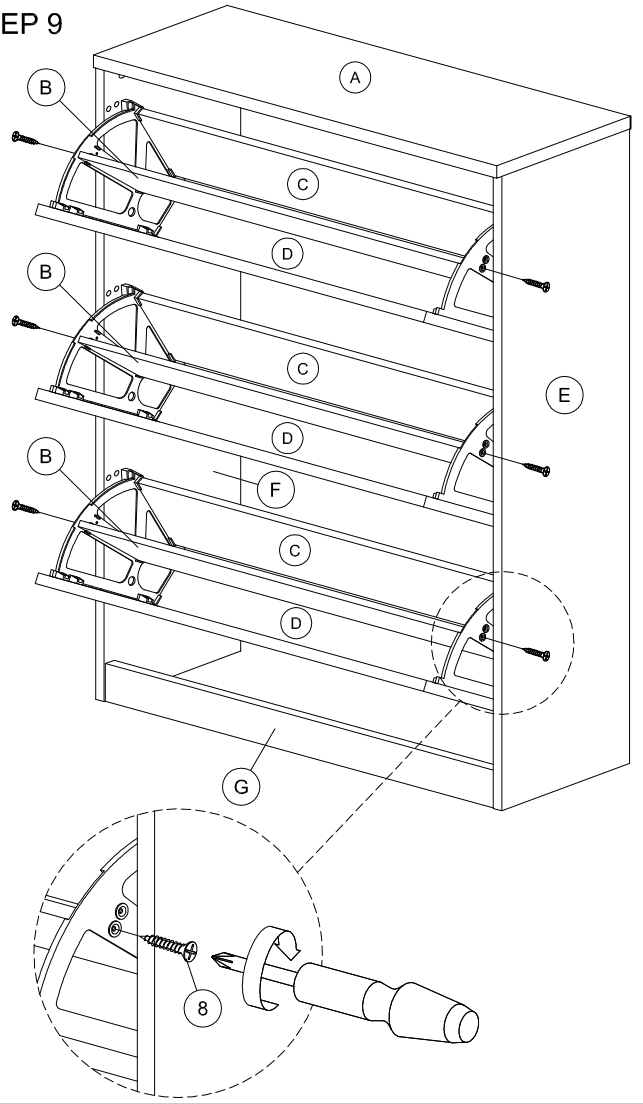


ASSEMBLY INSTRUCTIONS

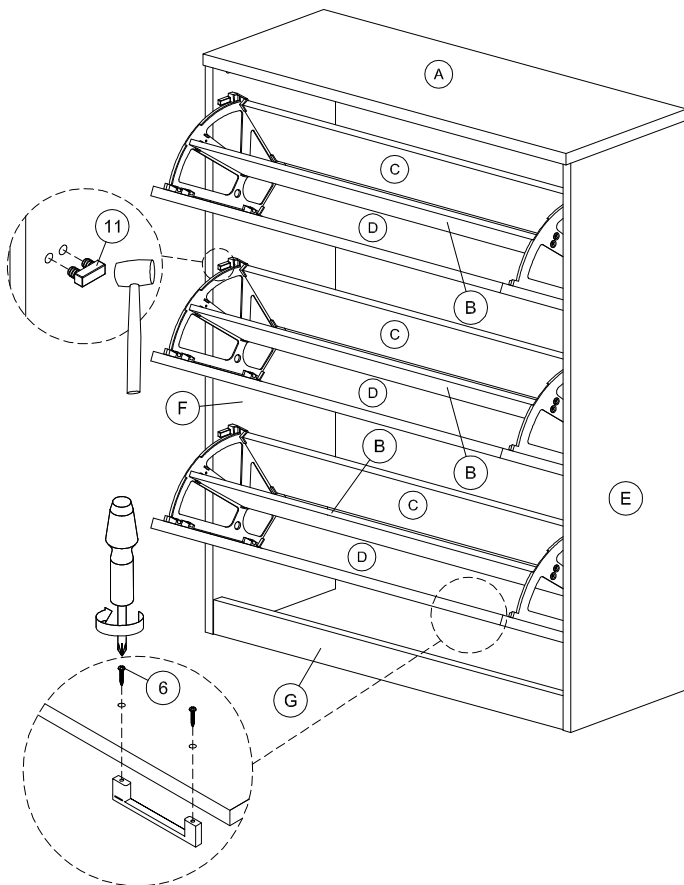
STEP 8



STEP 9



STEP 10



STEP 11

