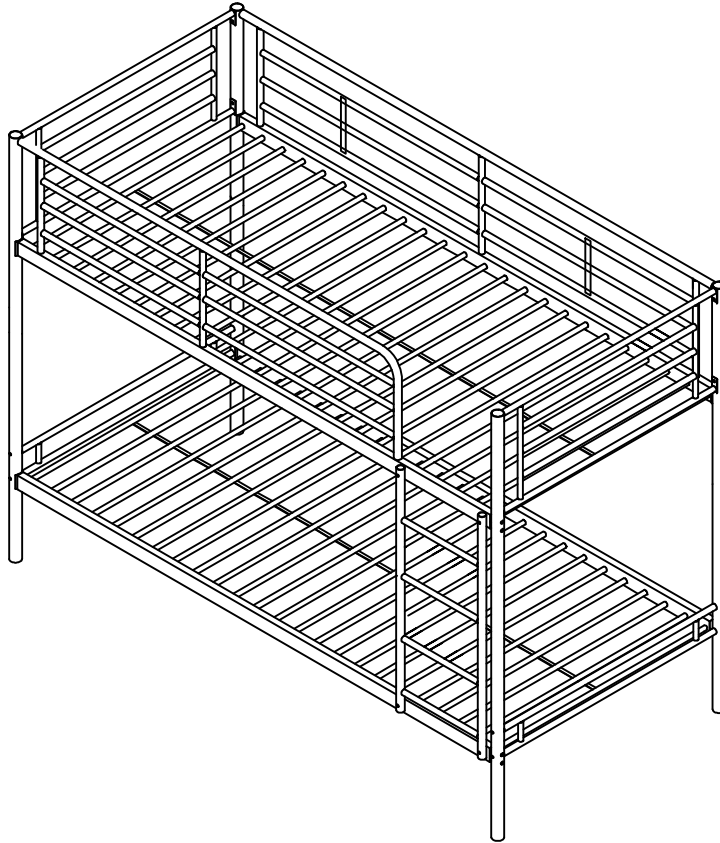


SAFFRON 3' METAL BUNK BED



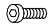
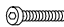

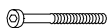
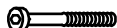
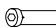






IMPORTANT-READ CAREFULLY-RETAIN FOR FUTURE REFERNCE

SAFETY WARNING

- All bunk beds and high beds intended to be assembled by someone other than the manufacturer or their representative shall contain assembly instructions a list of the parts supplied and details of any tools required to assemble the bed;
- We recommend that you use the mattress at size:2000*900*160mm.
- All assembly fastenings should always be tightened properly and that care should be taken that no fittings are loose.
- Instructions regarding positioning and connection of the means of access;
- The ladder is not for playing on, only use to climb onto top bunk.
- We recommend only one person on the upper bunk at one time.
- The bunk bed or high bed should not be used if any structural part is broken or missing.
- Children can strangle in items such as ropes, strings, cords, harnesses and belts attached to or hung on a bunk bed/high bed.
- The top of the mattress shall be at least 160MM below the upper edge of the safety barriers.
- Warning: "Children can become trapped between the bed and the wall. To avoid risk of serious injury the distance between the top safety barrier and the wall shall not exceed 75mm or shall be more than 230mm".
- Warning: "High beds and upper level of the bunk beds are not suitable for children under six years due to the risk of injury from falls."
- EN 747-1&2 test of ~~2012~~'s version

2015's

PLEASE CHECK THAT YOU HAVE ALL THE PARTS LISTED BEFORE YOU START ASSEMBLY. IF YOU DO FIND THAT SOMETHING IS MISSING. PLEASE CONTACT YOUR SUPPLIER IMMEDIATELY

REF		HARDWARE LIST	QTY
a		BOLT M6X15mm	8PCS
b		BOLT M6X35mm	4PCS
c		BOLT M6X60mm	6PCS
d		BOLT M6X65mm	11PCS
e		BOLT M8X60mm	16PCS
f		NUT	4PCS
g		WASHER M6	11PCS
h		WASHER M8	16PCS
i		BOLT M4X40mm	2PCS
j			2PCS
k			2PCS
l		ALLEN KEY M4	2PCS

CARE & MAINTENANCE

- 1) No power tools shall be used for assembly of the bed . Use only allen keys provided for assembly.
- 2) Periodically check and ensure all are fully tightened.

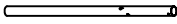
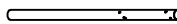
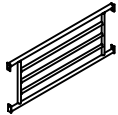

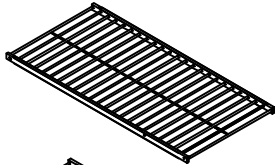

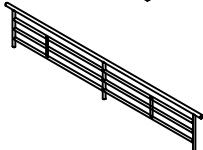
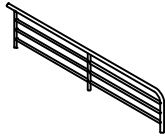

Method of Cleaning

- 1) Use damp cloth for normal cleaning.
- 2) For bright parts, use a clean dry duster only.

USE OF POWER TOOLS TO ASSEMBLE THIS PRODUCT WILL INVALIDATE ANY CLAIM AND MAY DAMAGE THIS PRODUCT, MAKING IT UNSAFE.



PLEASE CHECK THAT YOU HAVE ALL THE PARTS LISTED BEFORE YOU START ASSEMBLY. IF YOU DO FIND THAT SOMETHING IS MISSING. PLEASE CONTACT YOUR SUPPLIER IMMEDIATELY

REF		PART LIST	QTY
①		POST TUBE	3PCS
②		POST TUBE	1PC
③		UPPER RIGHT SIDE FRAME HEAD BOARD & FOOT BOARD	2PCS
④		LOWER SIDE FRAME HEAD BOARD & FOOT BOARD	2PCS
⑤	   	MATTRESS FRAME (TOP)	1PC
⑥		MATTRESS FRAME (BOTTOM)	1PC
⑦		BACK GUARD RAIL	1PC
⑧		FRONT GUARD RAIL	1PC
⑨		LADDER	1PC

CARE & MAINTENANCE

- 1) No power tools shall be used for assembly of the bed . Use only allen keys provided for assembly.
- 2) Periodically check and ensure all are fully tightened.

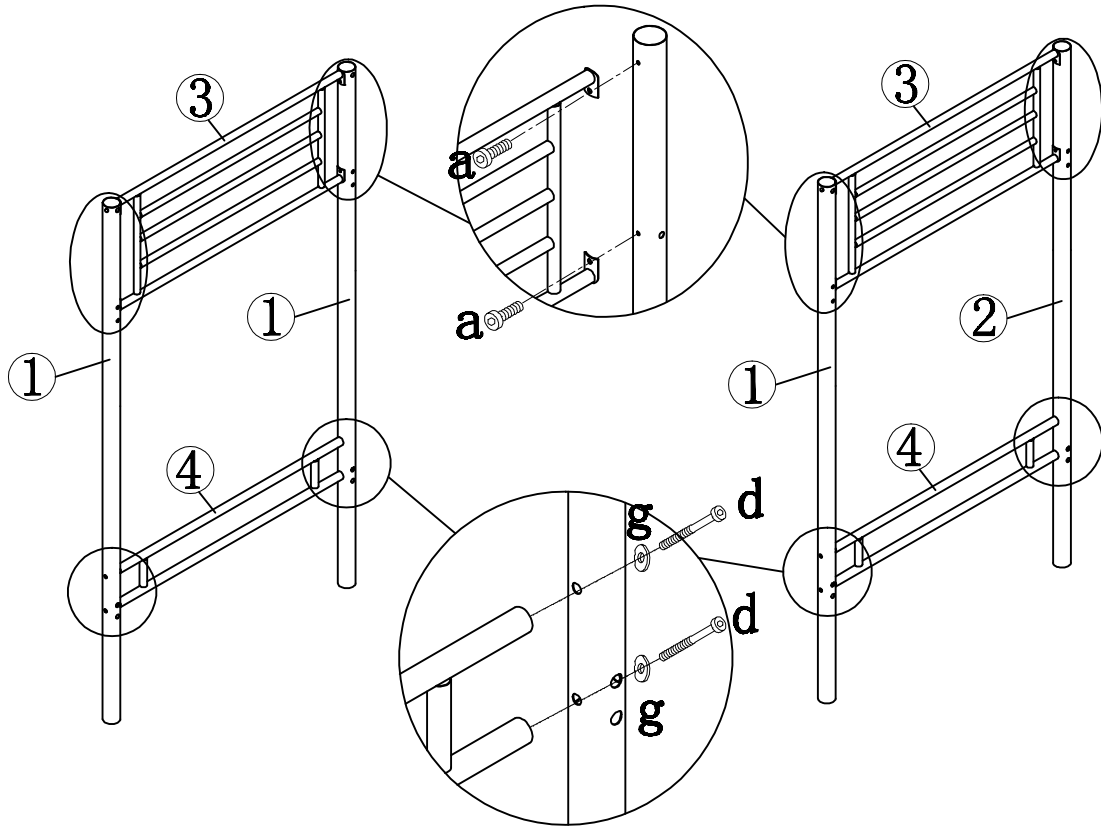
Method of Cleaning

- 1) Use damp cloth for normal cleaning.
- 2) For bright parts, use a clean dry duster only.

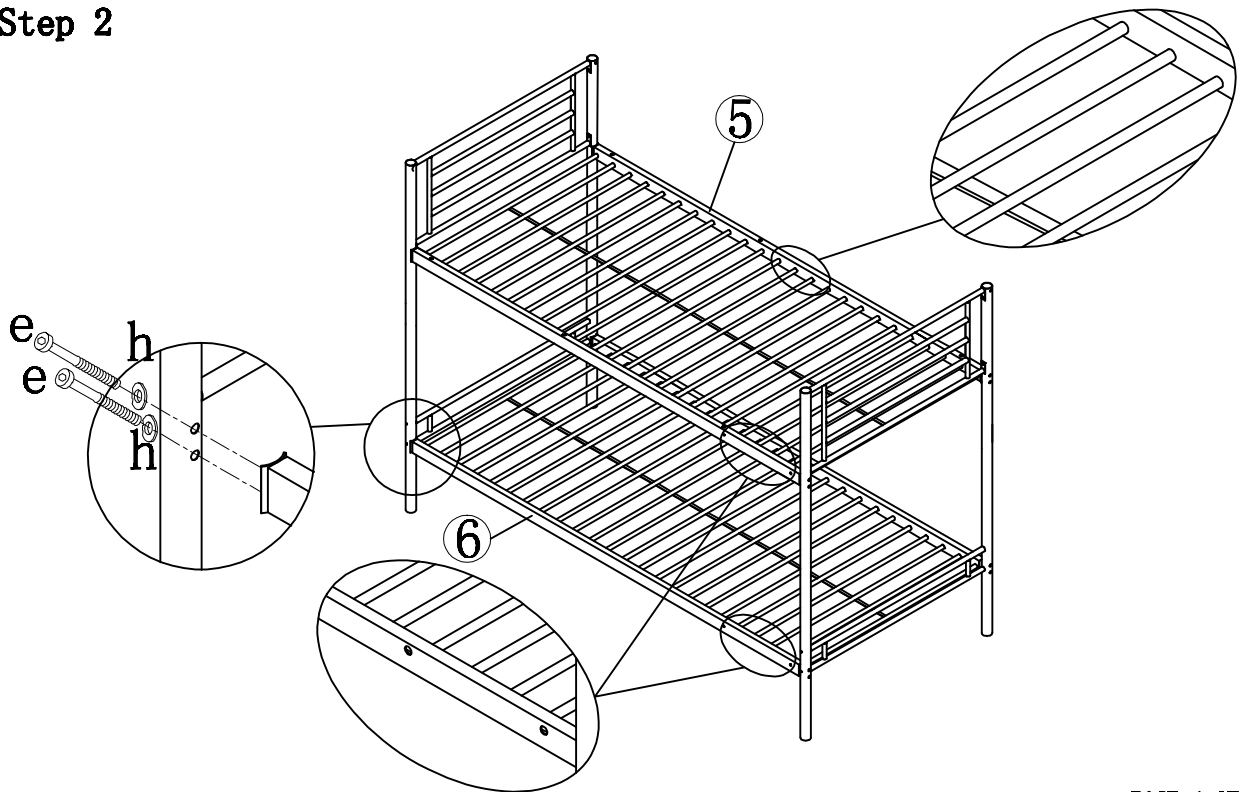
USE OF POWER TOOLS TO ASSEMBLE THIS PRODUCT WILL INVALIDATE ANY CLAIM AND MAY DAMAGE THIS PRODUCT, MAKING IT UNSAFE.



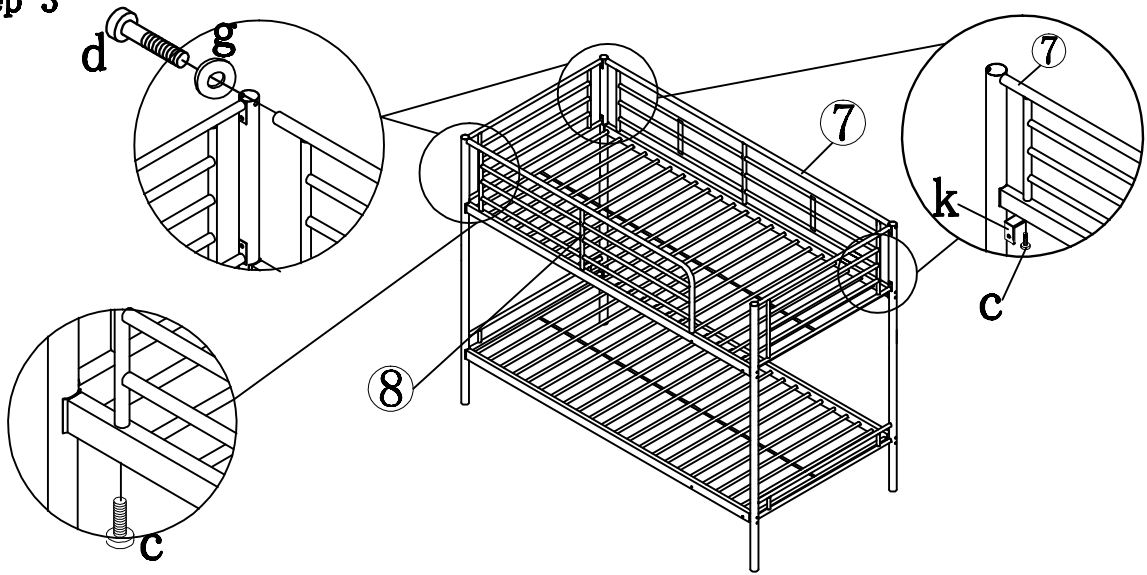
Step 1



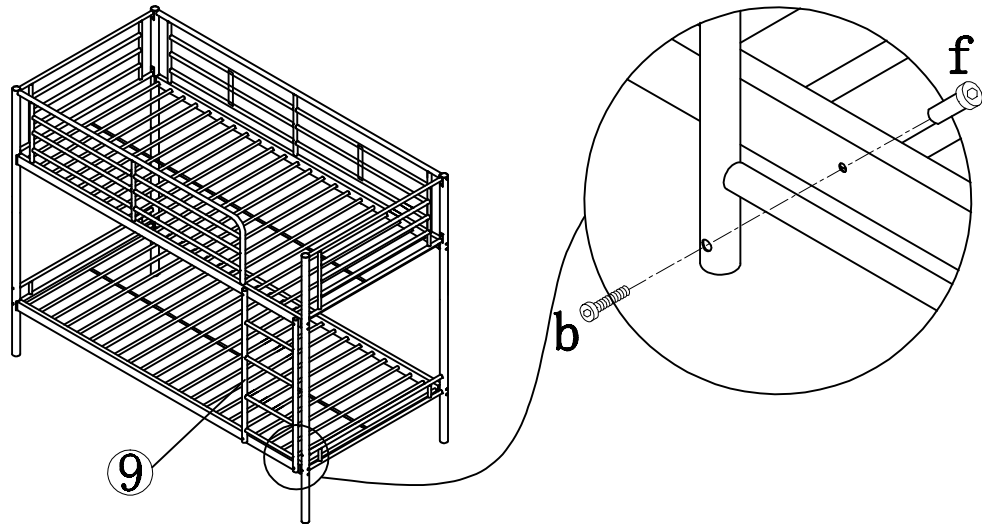
Step 2



Step 3



Step 4



Step 5

