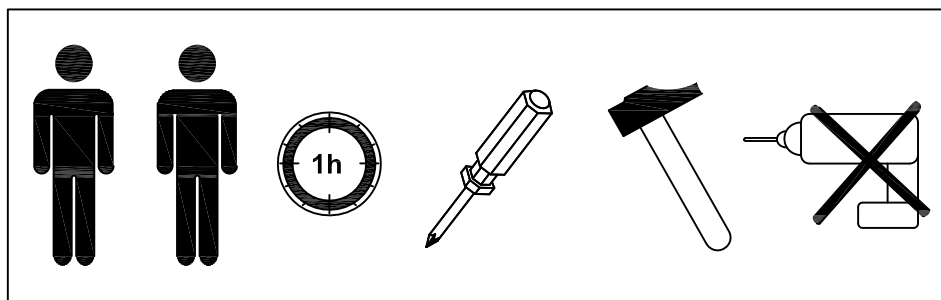
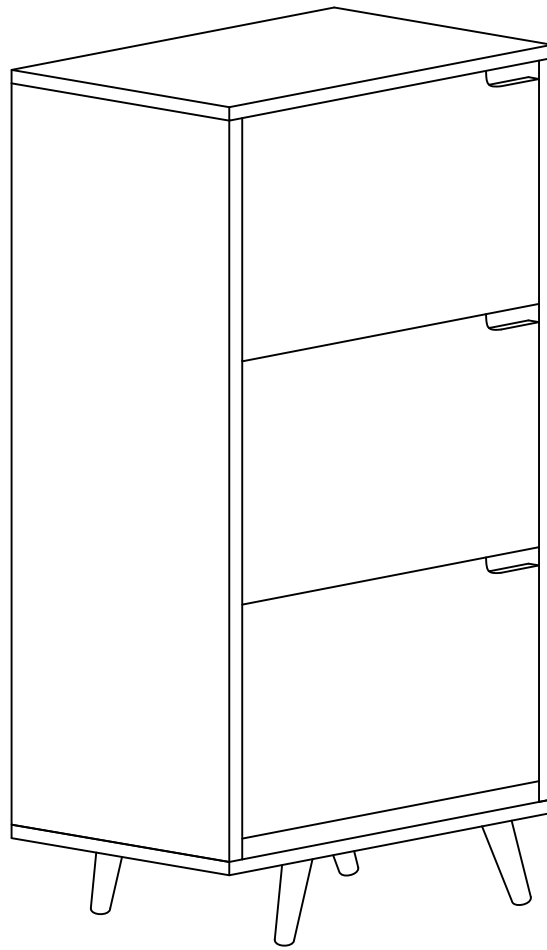
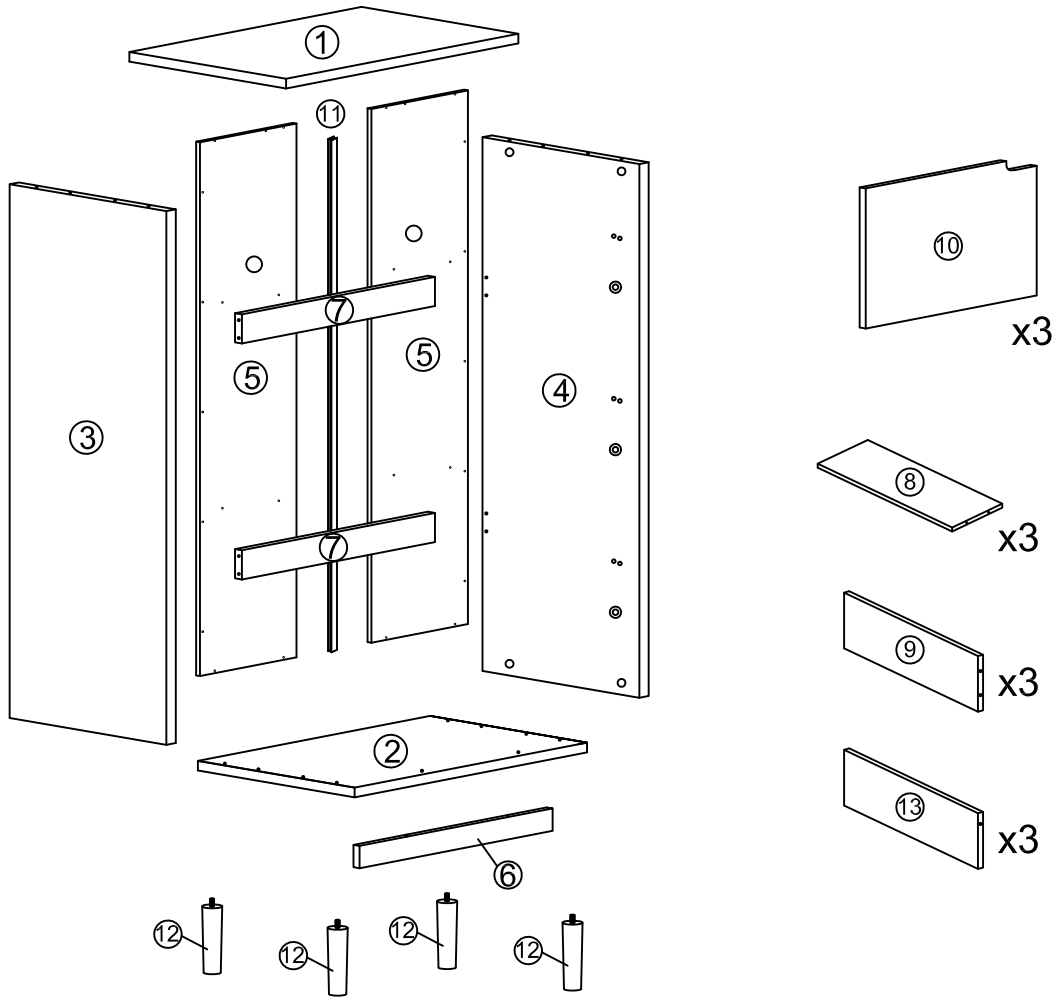
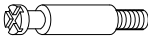


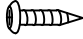
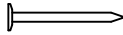

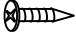
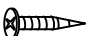










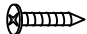


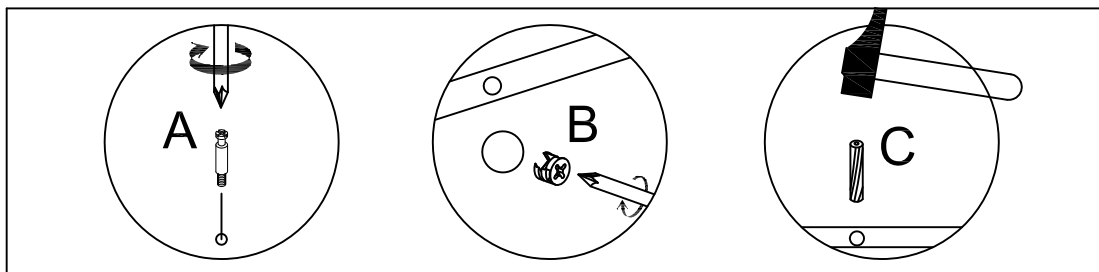
# Mitra

---

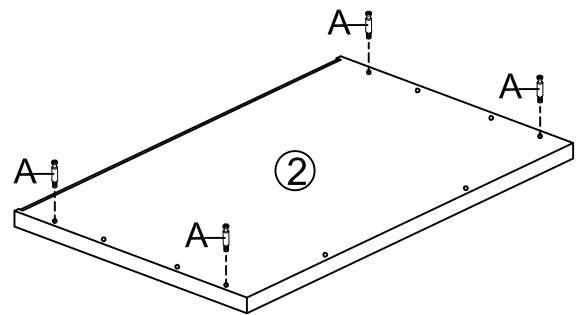
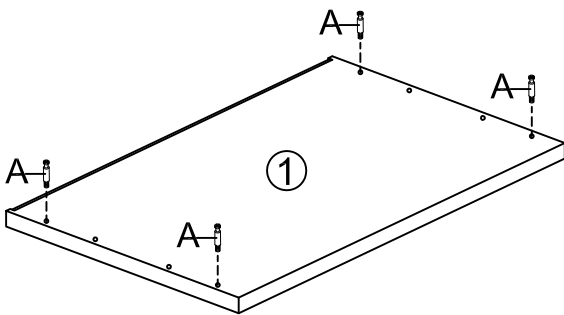
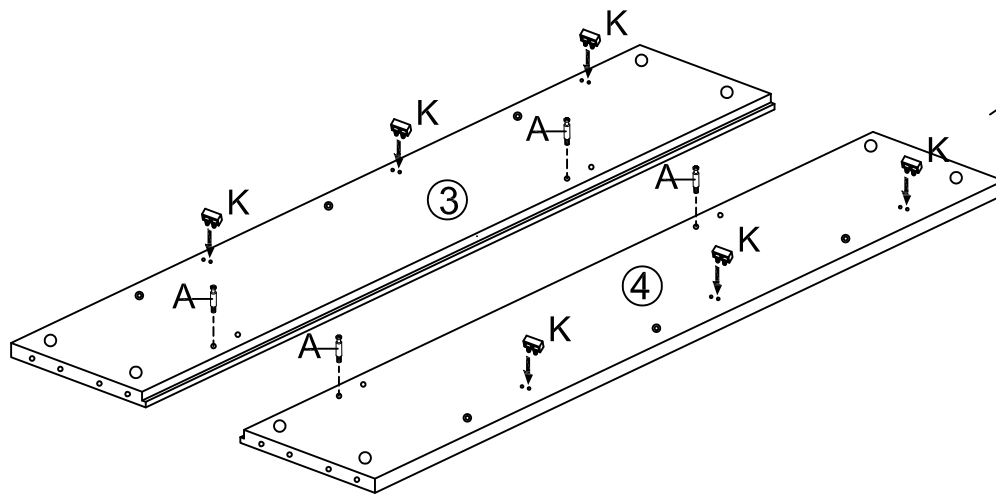
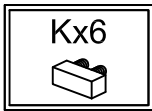
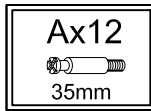




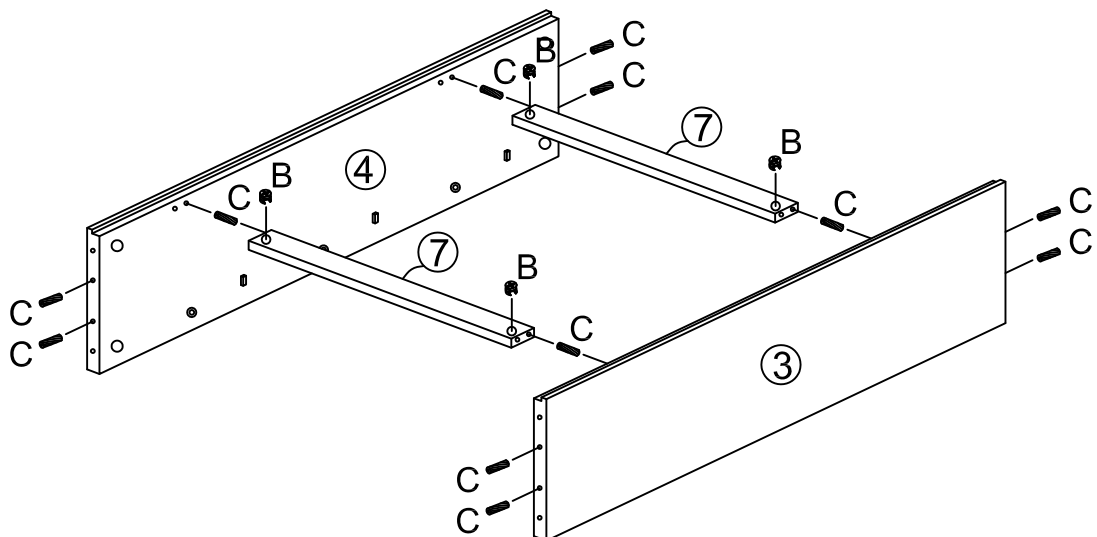
Ax12	Bx12	Cx12	Dx20	Ex18	Fx6	Gx30
						
35mm	Ø15x10mm	Ø6x30mm	Ø4x12mm	Ø1x16mm	Ø4x12mm	Ø3.5x18mm
Hx2	Ix6	Jx2	Kx6	Lx4	Mx3	Nx4
						
Ø3.5x30mm						
Ox1	Px2	Qx1	Rx8	Sx18		
						
170mm		Ø3x16mm	Ø3x12mm	Ø3.5x16mm		



1

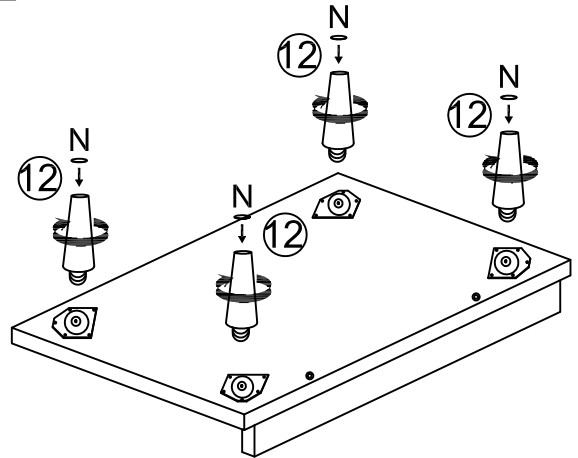
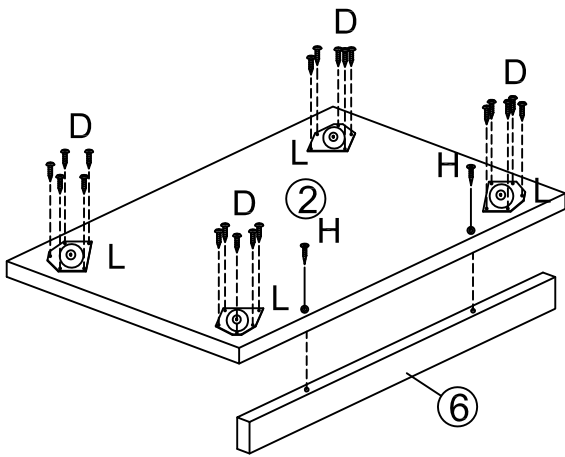
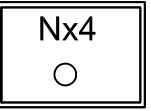
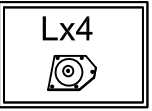
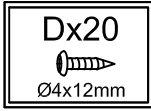


2

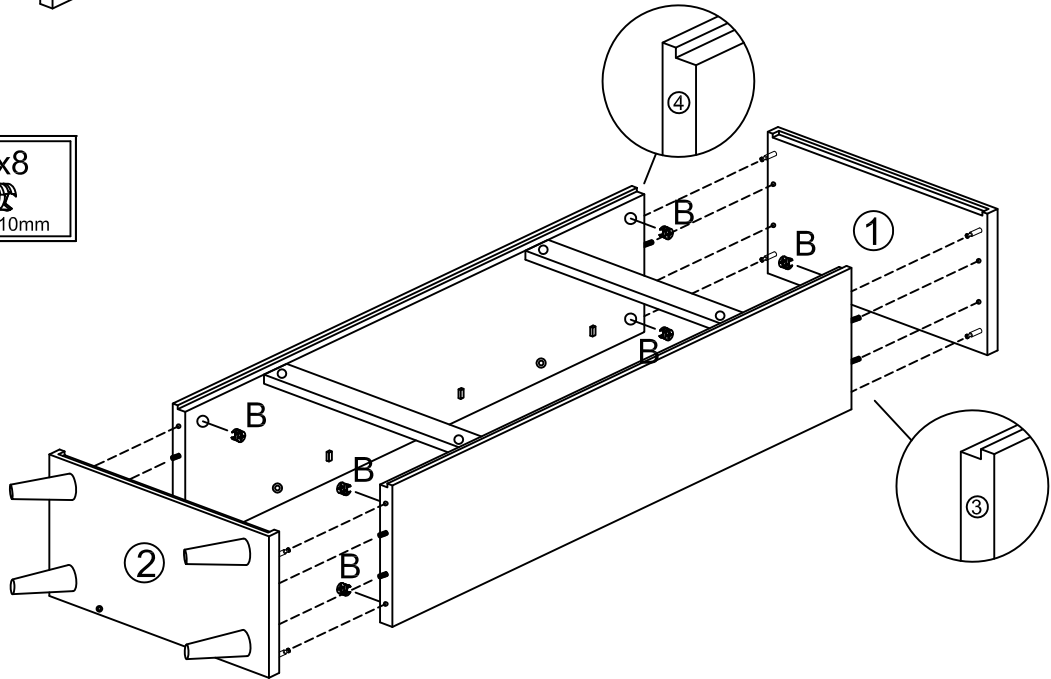


3

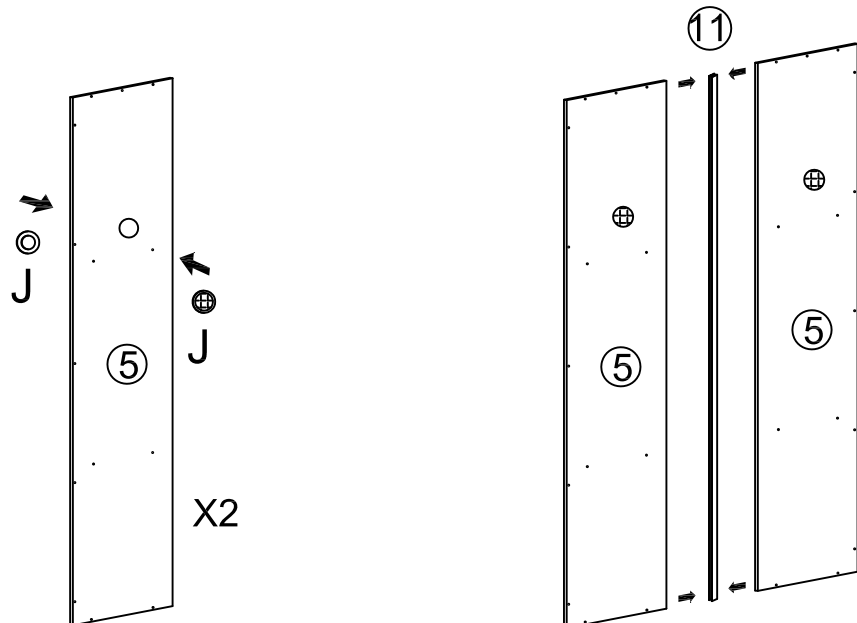
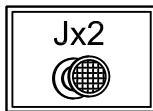
# 3



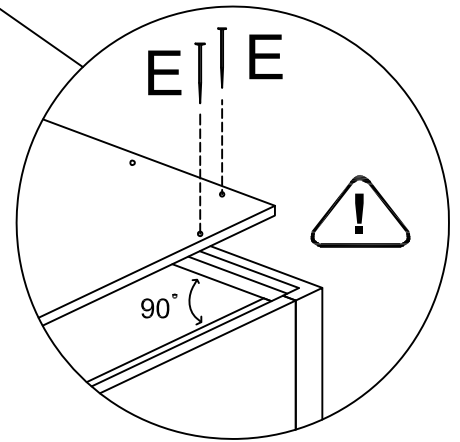
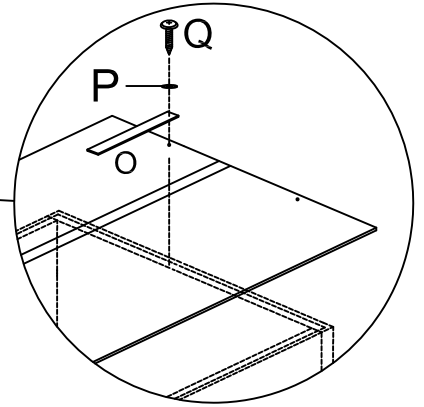
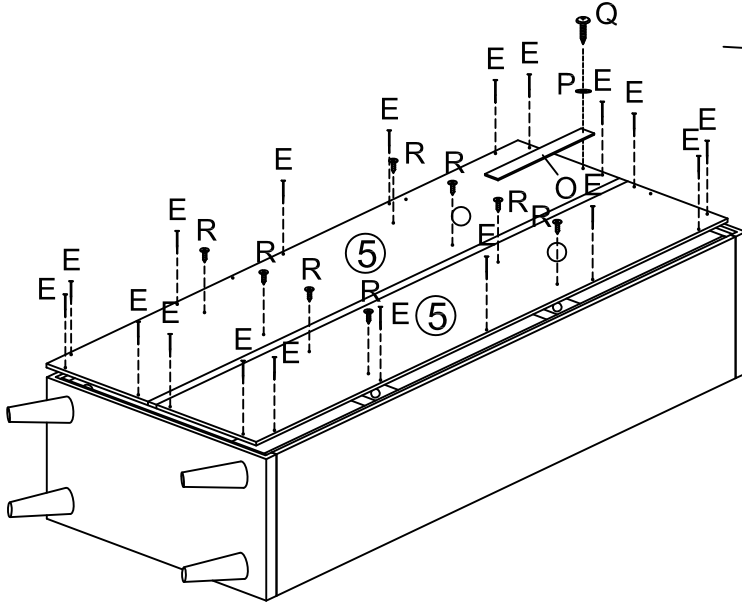
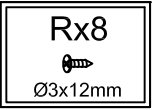
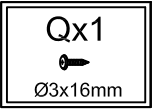
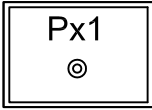
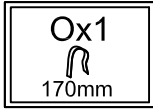
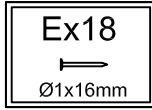
# 4



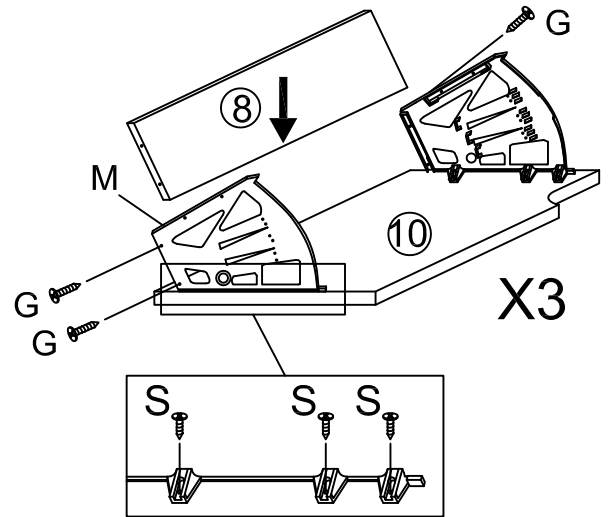
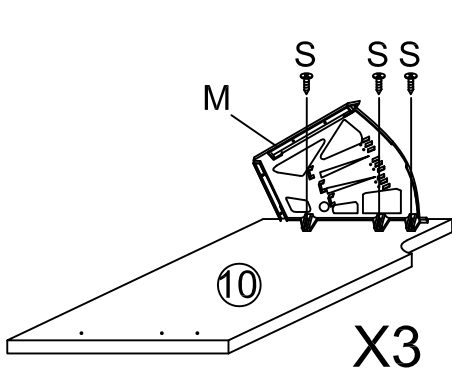
# 5



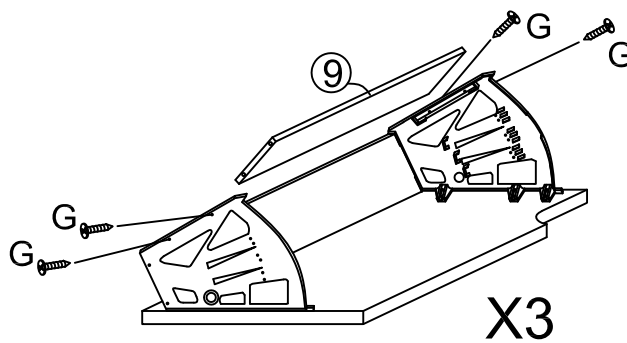
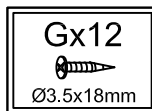
# 6



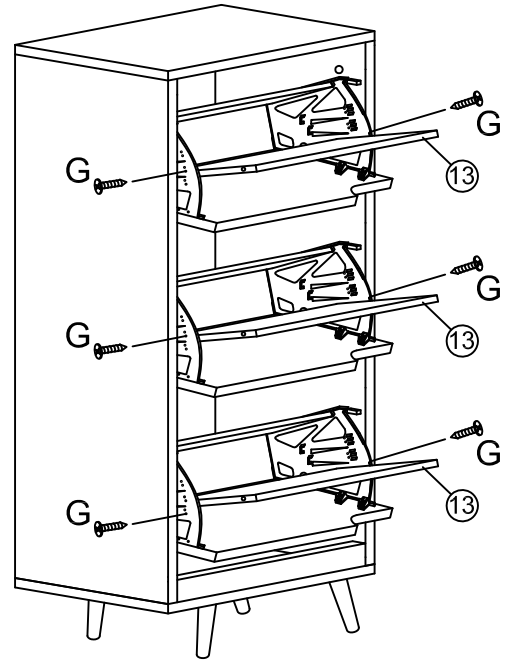
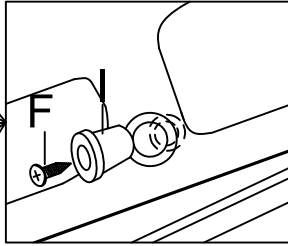
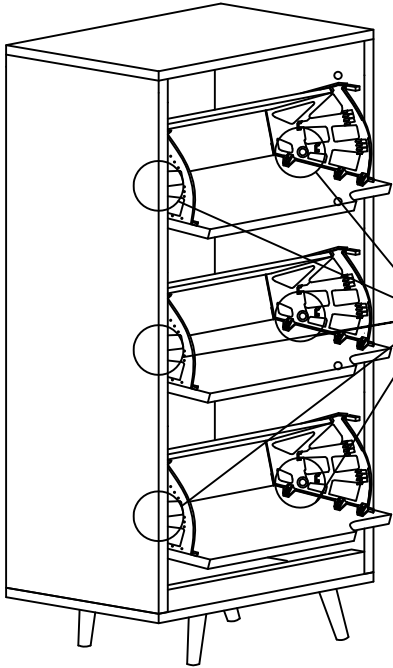
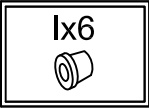
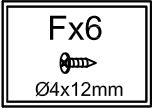
# 7



# 8



9



10

