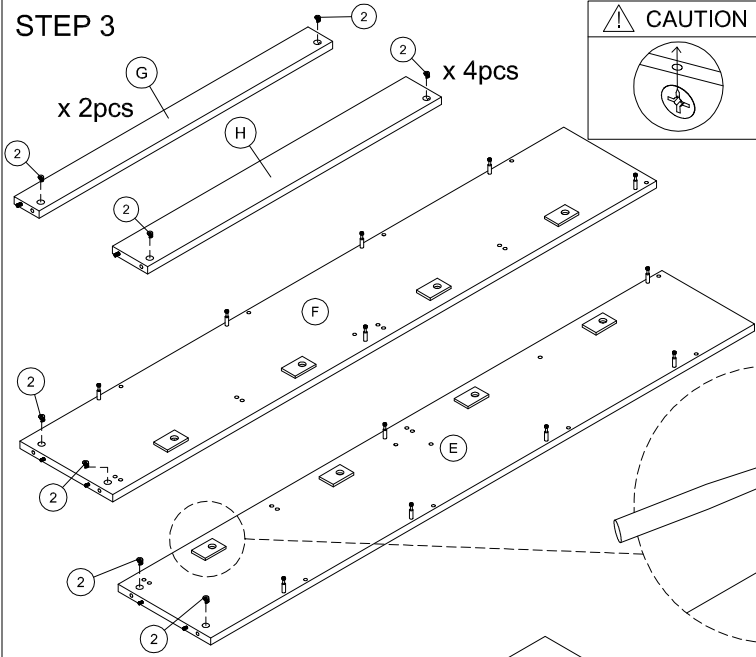
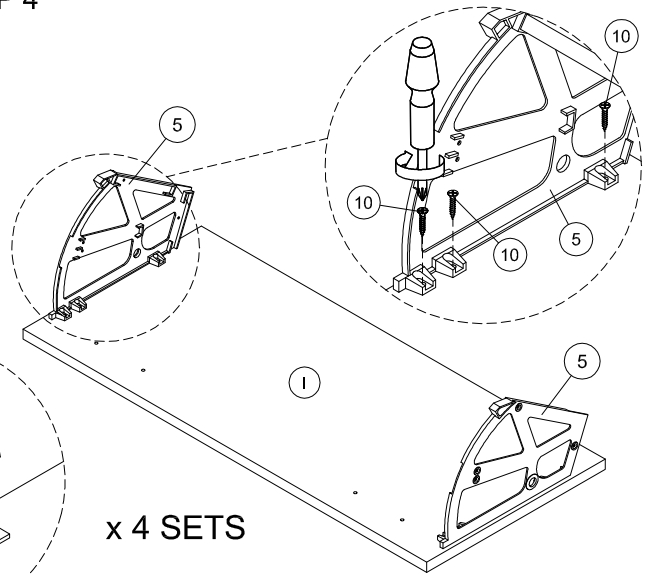


ASSEMBLY INSTRUCTIONS

STEP 3

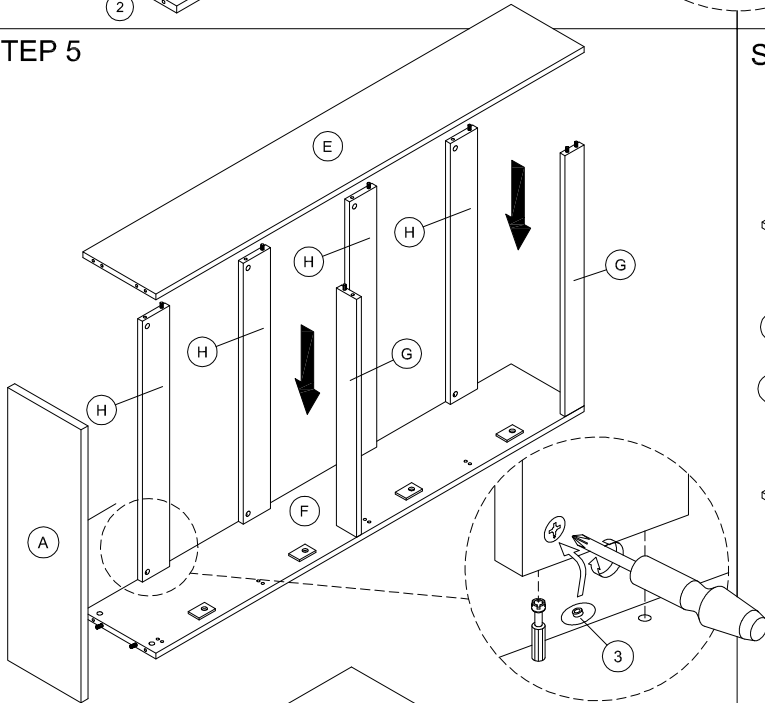


STEP 4

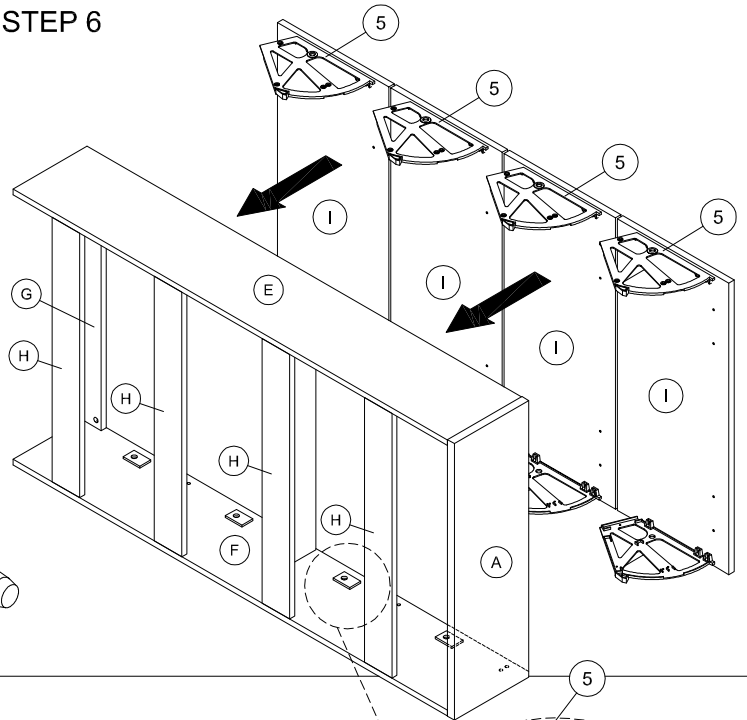


x 4 SETS

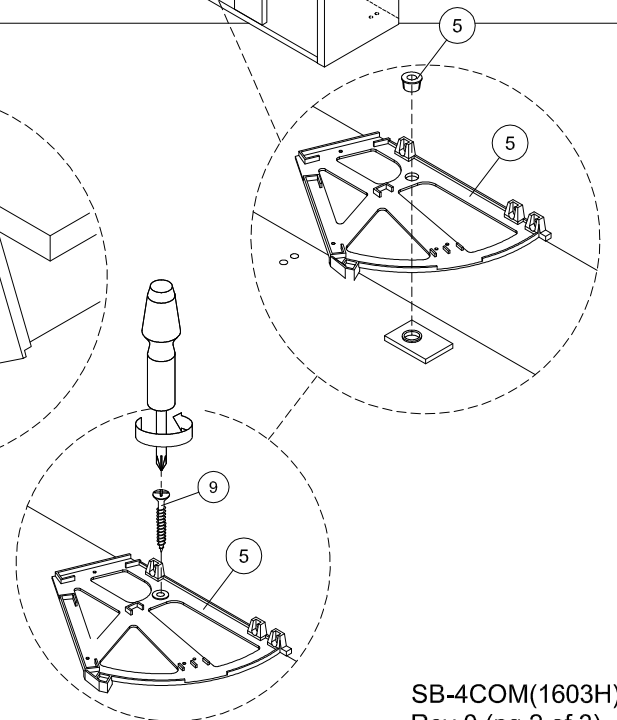
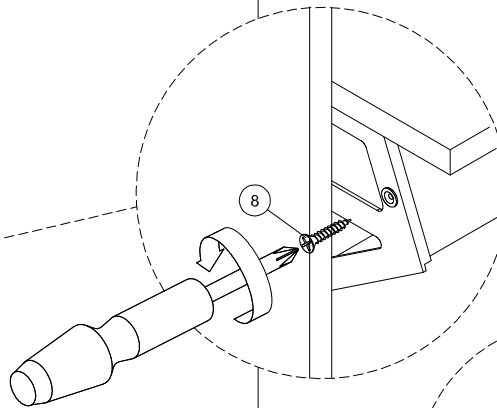
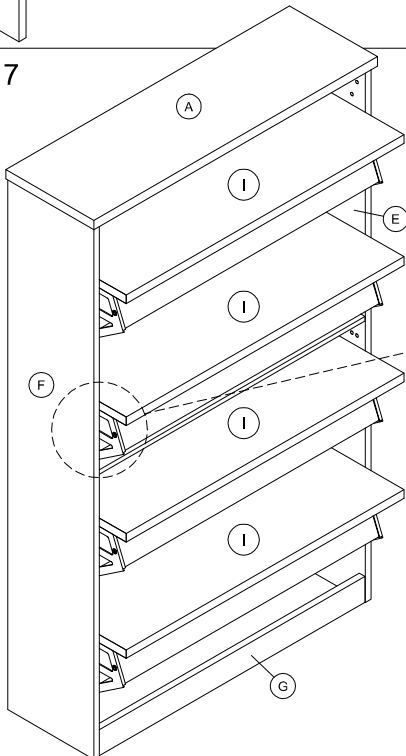
STEP 5



STEP 6

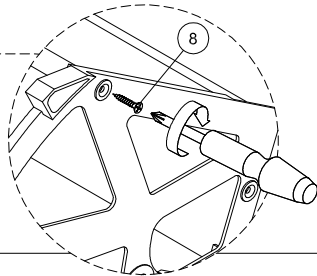
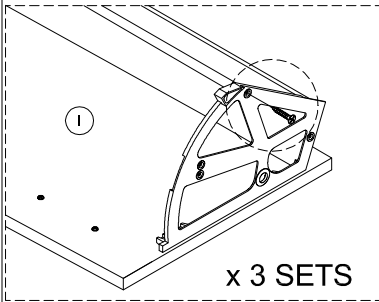
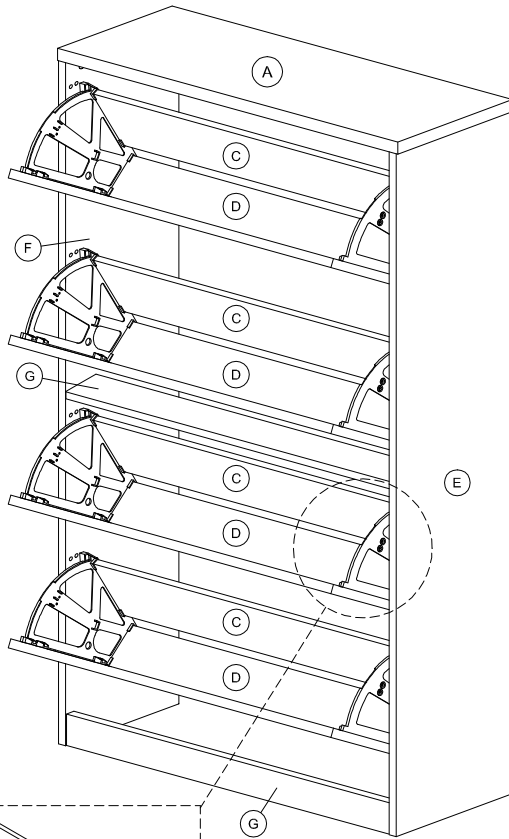


STEP 7

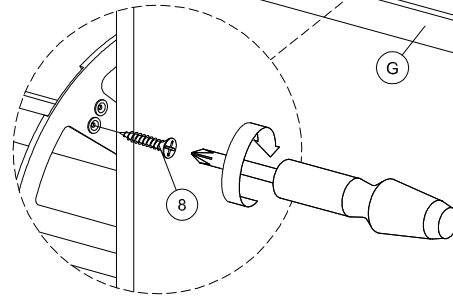
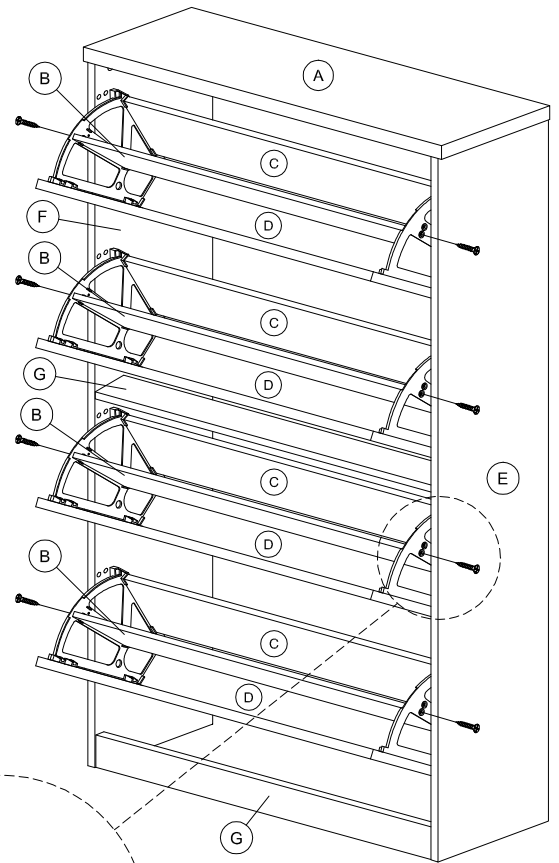


ASSEMBLY INSTRUCTIONS

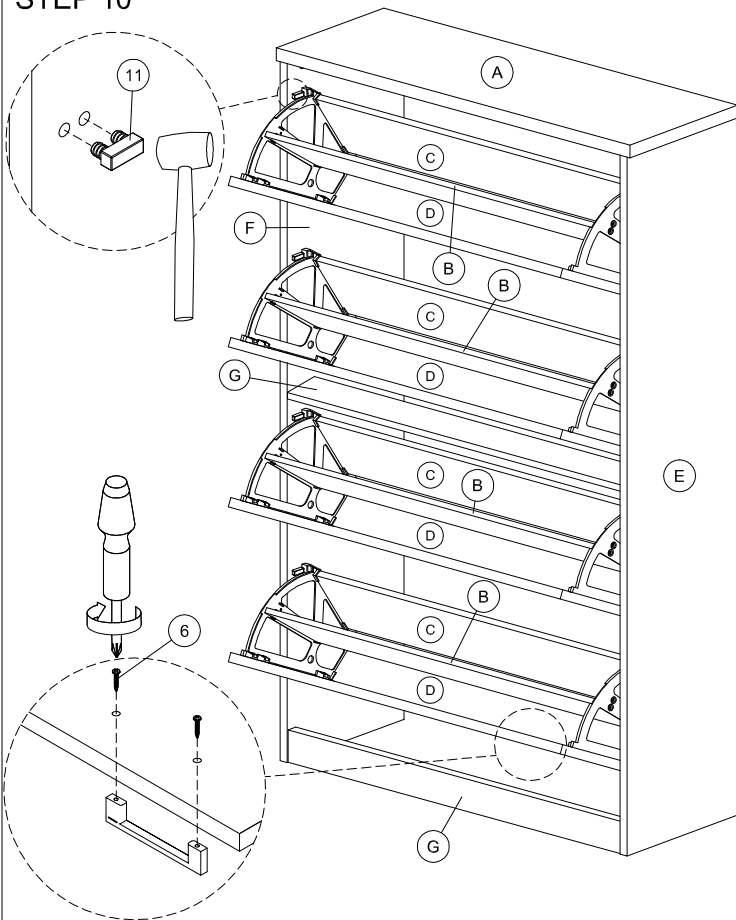
STEP 8



STEP 9



STEP 10



STEP 11

