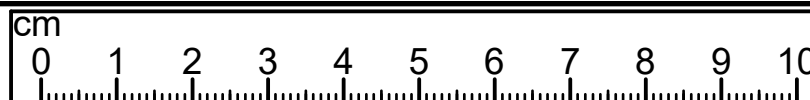
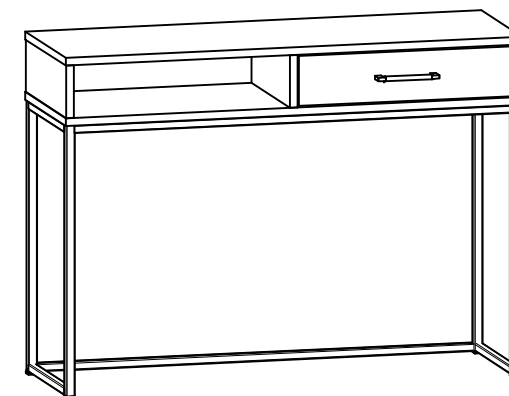


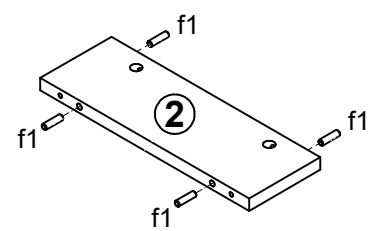
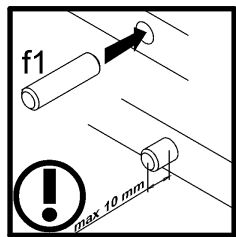
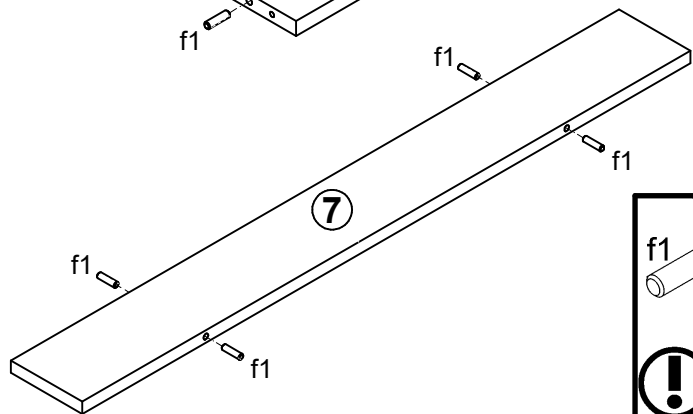
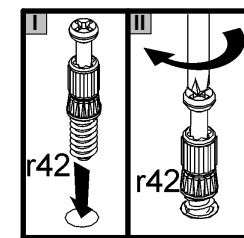
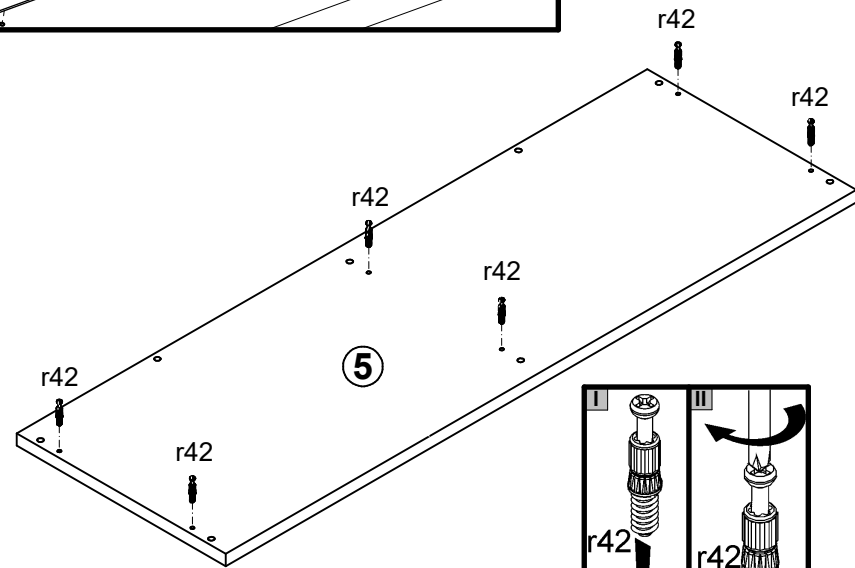
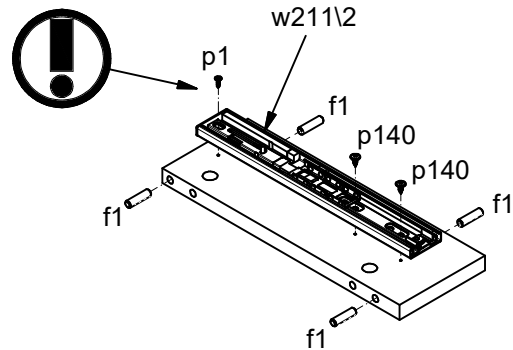
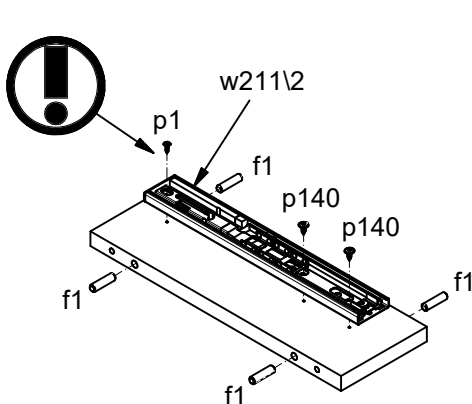
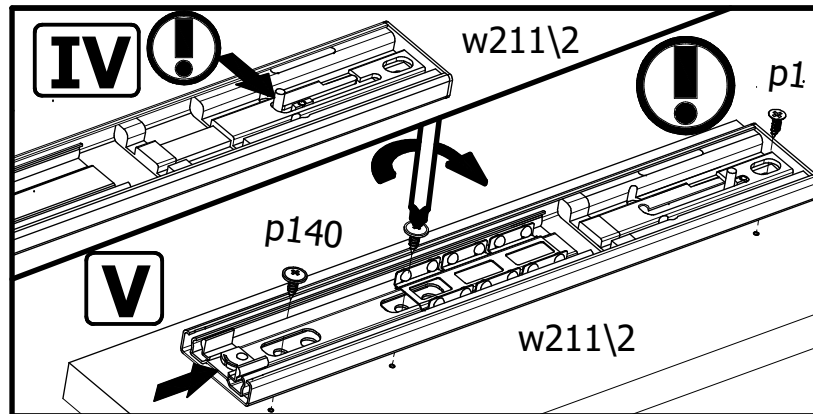
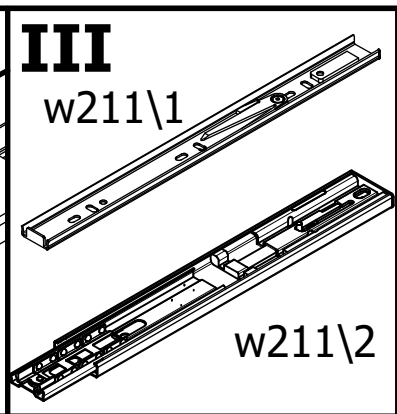
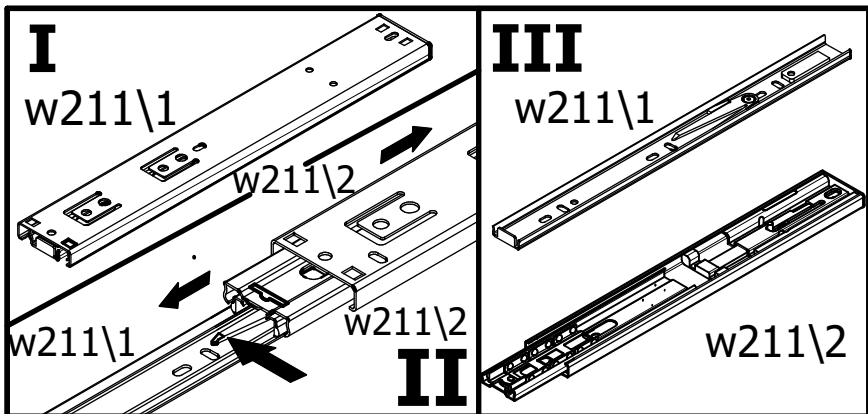
A	B	C (mm)			D
1	B10-0001	497	114	18	1/2
2	B10-1001	120	352	18	1/2
3	B10-1002	120	352	18	1/2
4	B10-1003	120	333	18	1/2
5	B10-2005	1062	352	18	1/2
6	B10-2006	1062	352	18	1/2
7	B10-4001	1024	120	18	1/2
8	B10-9001	463	305	2,5	1/2
9	ZK3-5090	453	97	15	1/2
10	ZK4-521	300	110	12	1/2
11	ZK4-522	300	110	12	1/2



D
1/2
2/2

1x 128 mm c514	6x Ø7x50 mm e1	8x Ø6,3x26 mm e52	16x Ø8x30 mm f1	2x Ø6x30 mm f9	4x Ø6,5x40 mm f25	2x M4x25 mm j8	28x M5x12 mm j173	4x 20x20 k133i5	1x k133i17L	1x k133i17P	2x k133i18	2x L-310mm 18x18 k133i48
2x L-310mm 18x18 k133i49	2x L-1020 k133i50	1x L-1020 k133i51	2x Ø3,5x13 mm p1	3x Ø3,5x16 mm p38	10x Ø3,5x12 mm p140	6x Ø15x12 mm #16 r1	4x Ø12x10,5 mm #12 r15	10x 20/11 r42	2x L=300 mm w211i1	2x L=300 mm w211i2	2x Ø 20mm s68	1x 4 mm z1
1x 3 mm z22											1x n26	1x Ø3,5x16 mm p38

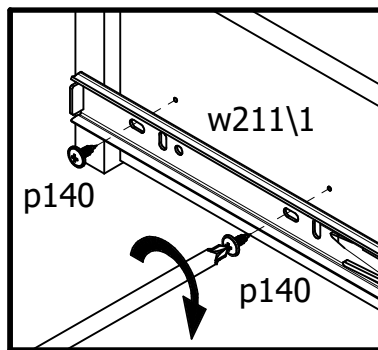
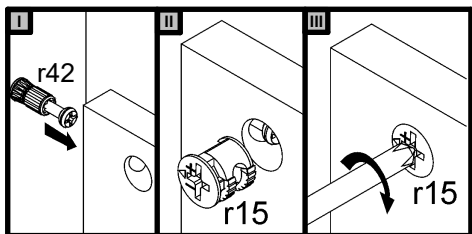
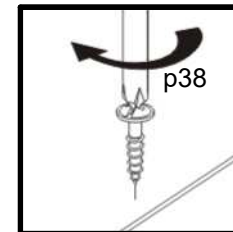
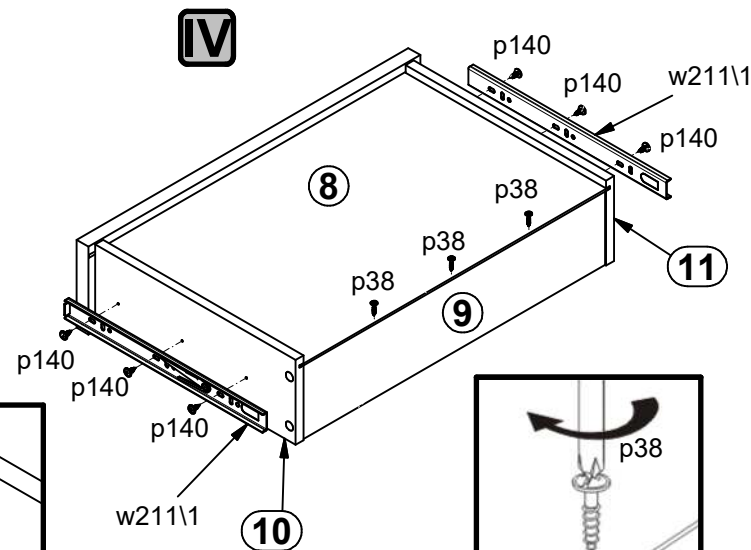
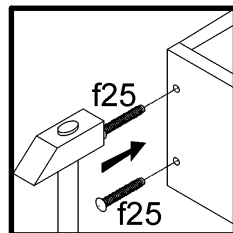
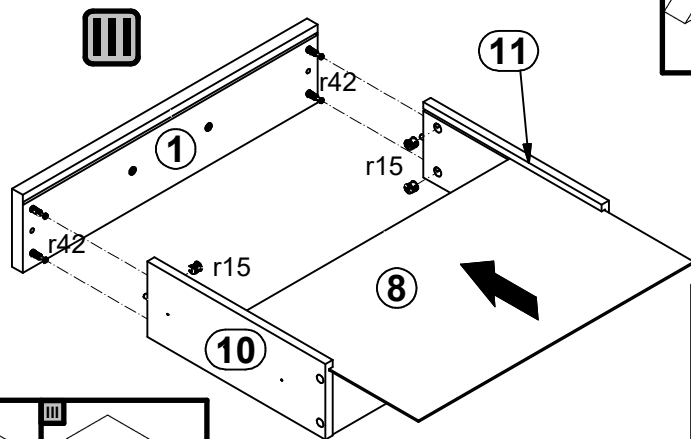
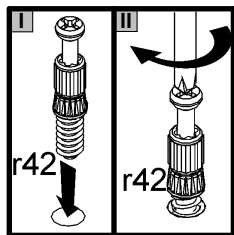
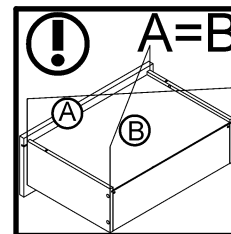
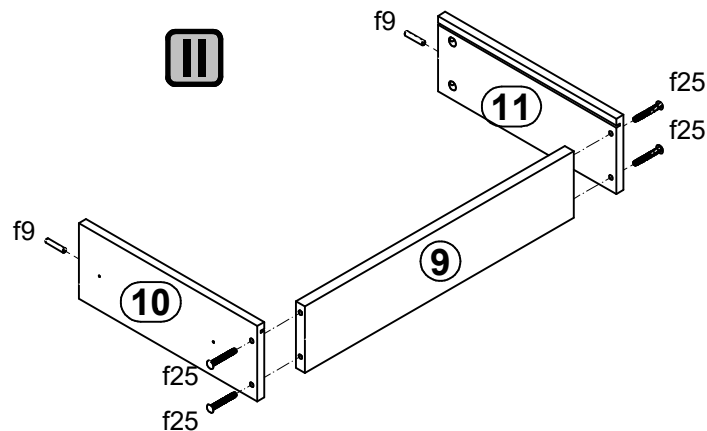
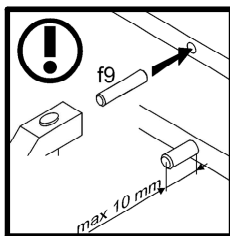
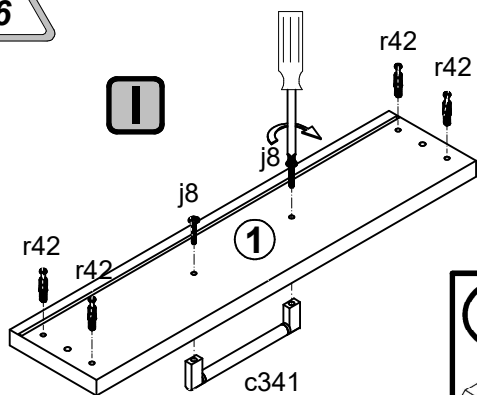
1 §2

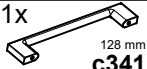










- |                          |                      |           |                        |                          |
|--------------------------|----------------------|-----------|------------------------|--------------------------|
| 2x<br>L=300 mm<br>w211\2 | 8x<br>Ø8x30 mm<br>f1 | 6x<br>r42 | 2x<br>Ø3,5x13 mm<br>p1 | 4x<br>Ø3,5x12 mm<br>p140 |
|--------------------------|----------------------|-----------|------------------------|--------------------------|

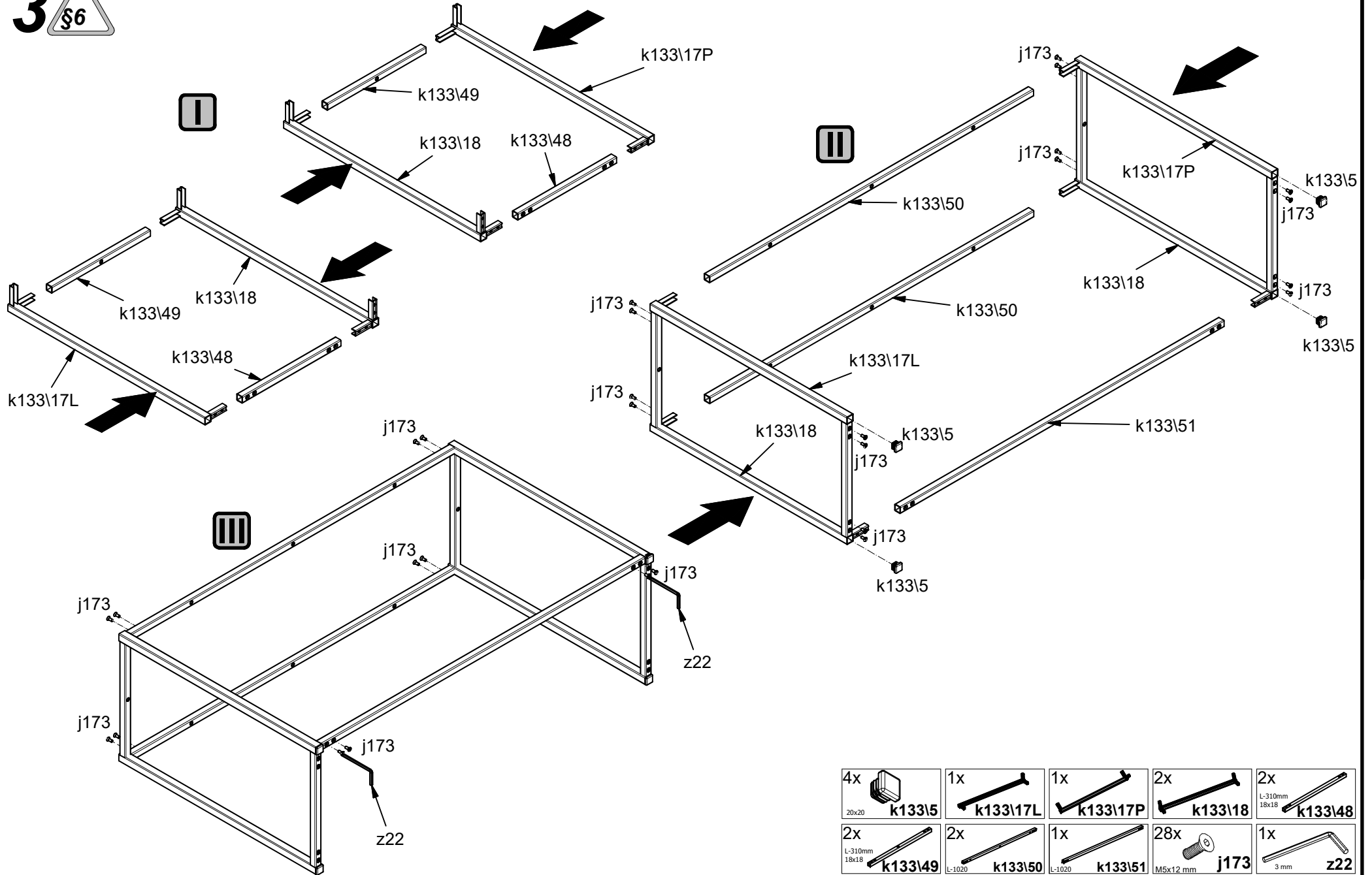


2

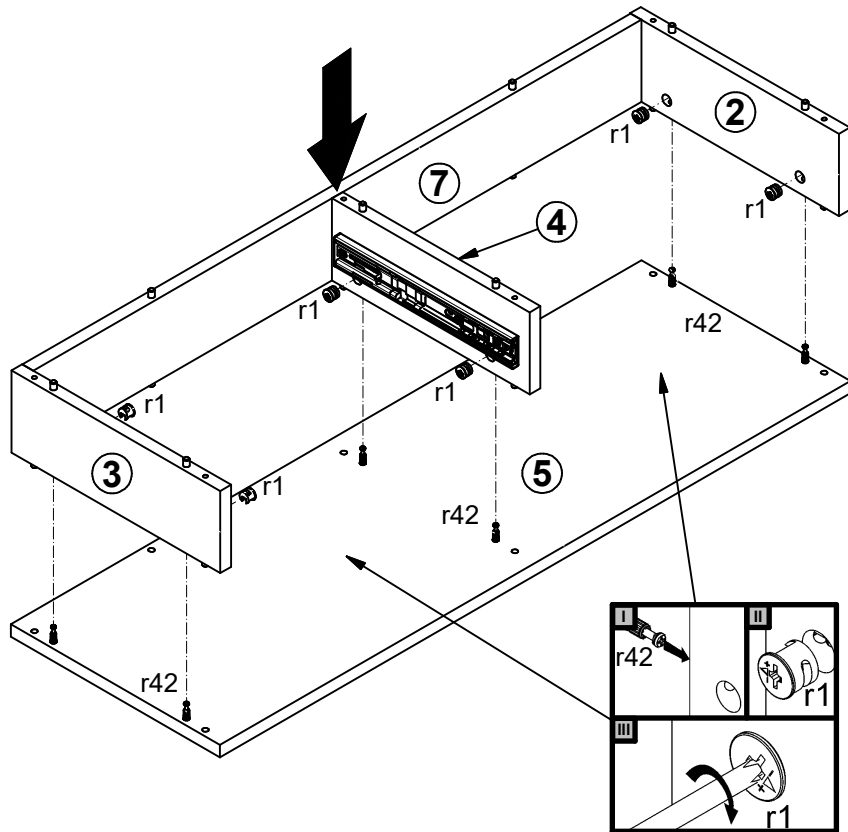
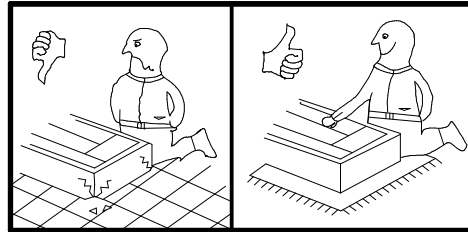



- 1x  
  
128 mm  
c341
- 2x  
  
M4x25 mm  
j8
- 2x  
  
Ø6x30 mm  
f9
- 4x  
  
Ø6,5x40 mm  
f25
- 4x  
  
r42
- 4x  
  
Ø12x10,5 mm #12  
r15
- 3x  
  
Ø3,5x16 mm  
p38
- 2x  
  
L=300 mm  
w211\1
- 6x  
  
Ø3,5x12 mm  
p140

3 §6

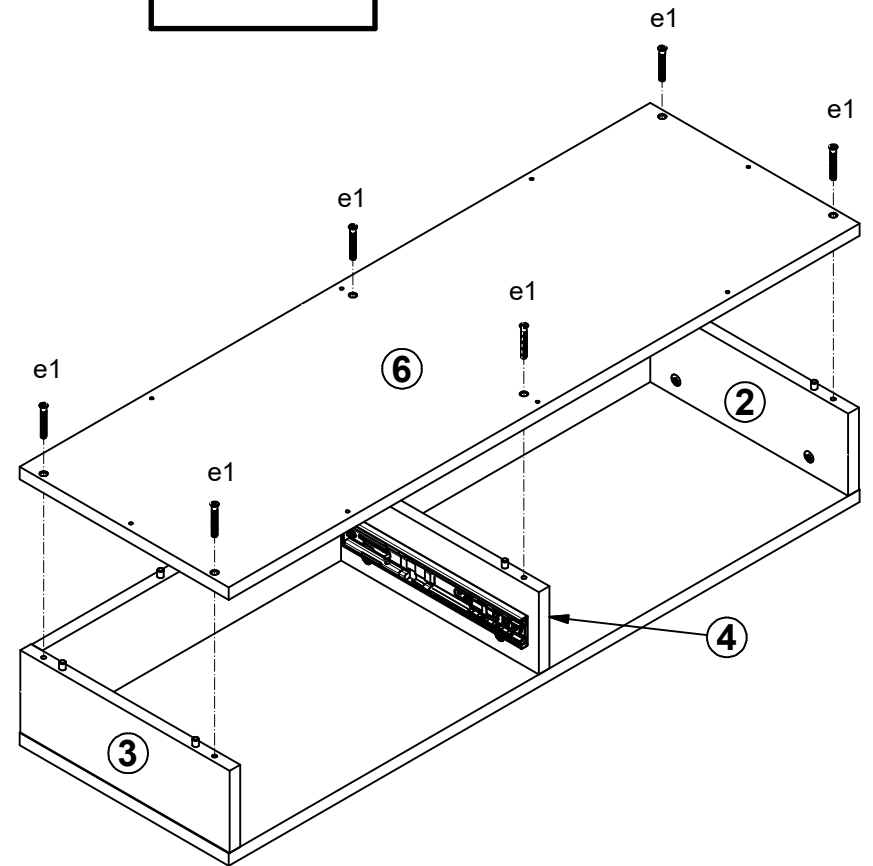
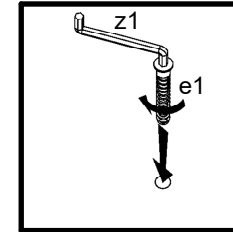



4 §6

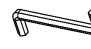


6x  r1  
 Ø15x12 mm #16

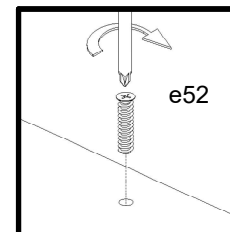
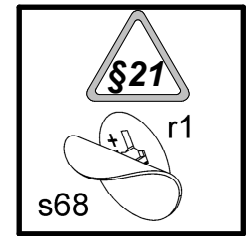
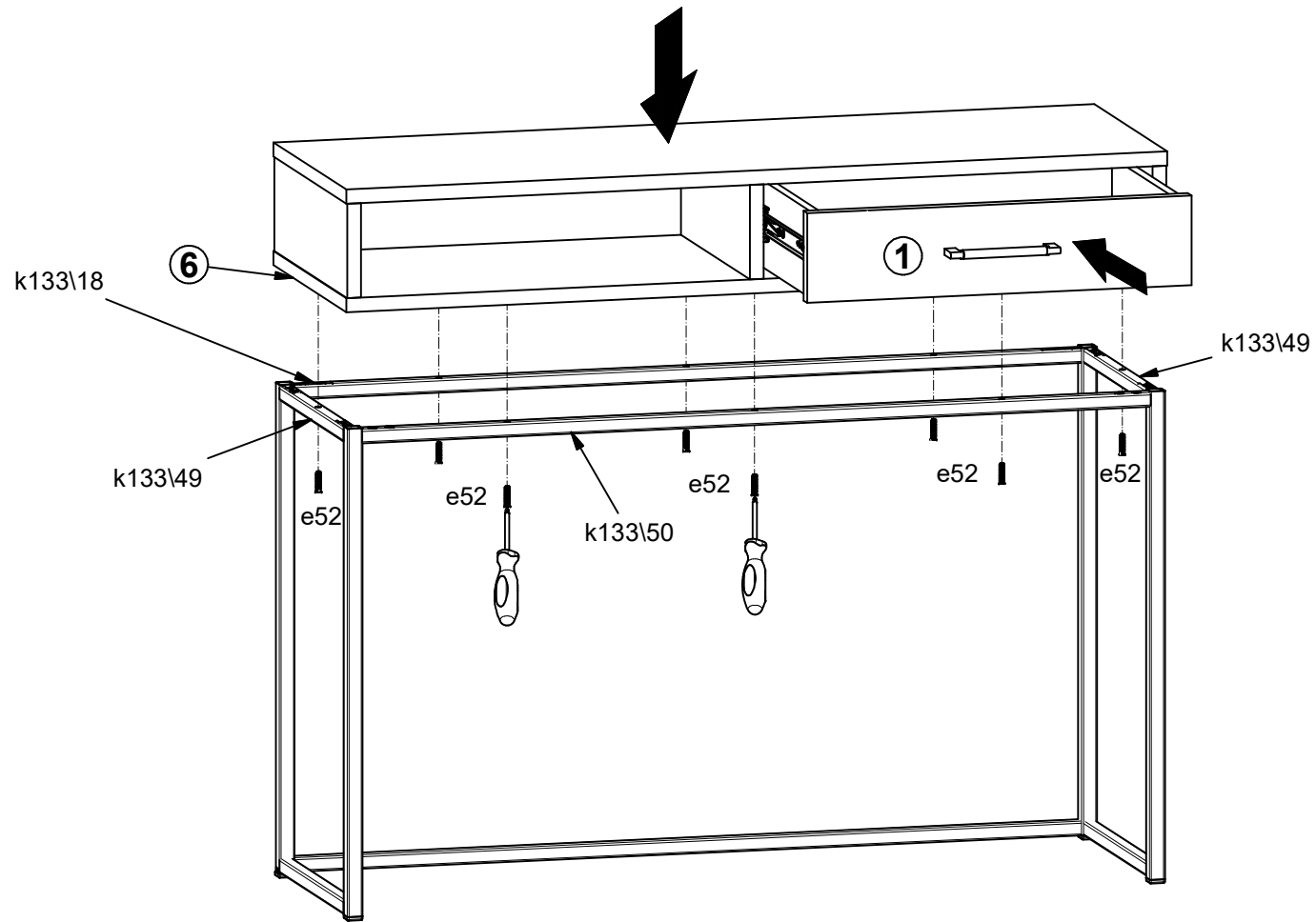
5 §6



6x  e1  
 Ø7x50 mm

1x  z1  
 4 mm

6 §6



- |                         |                         |                     |
|-------------------------|-------------------------|---------------------|
| 8x<br>Ø6.3x26 mm<br>e52 | 1x<br>4 mm<br>z1        | 2x<br>Ø 20mm<br>s68 |
| 1x<br>n26               | 1x<br>Ø3.5x16 mm<br>p38 |                     |