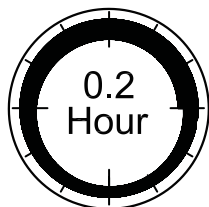
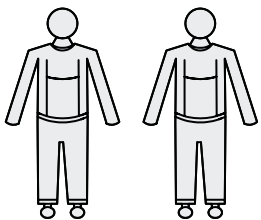
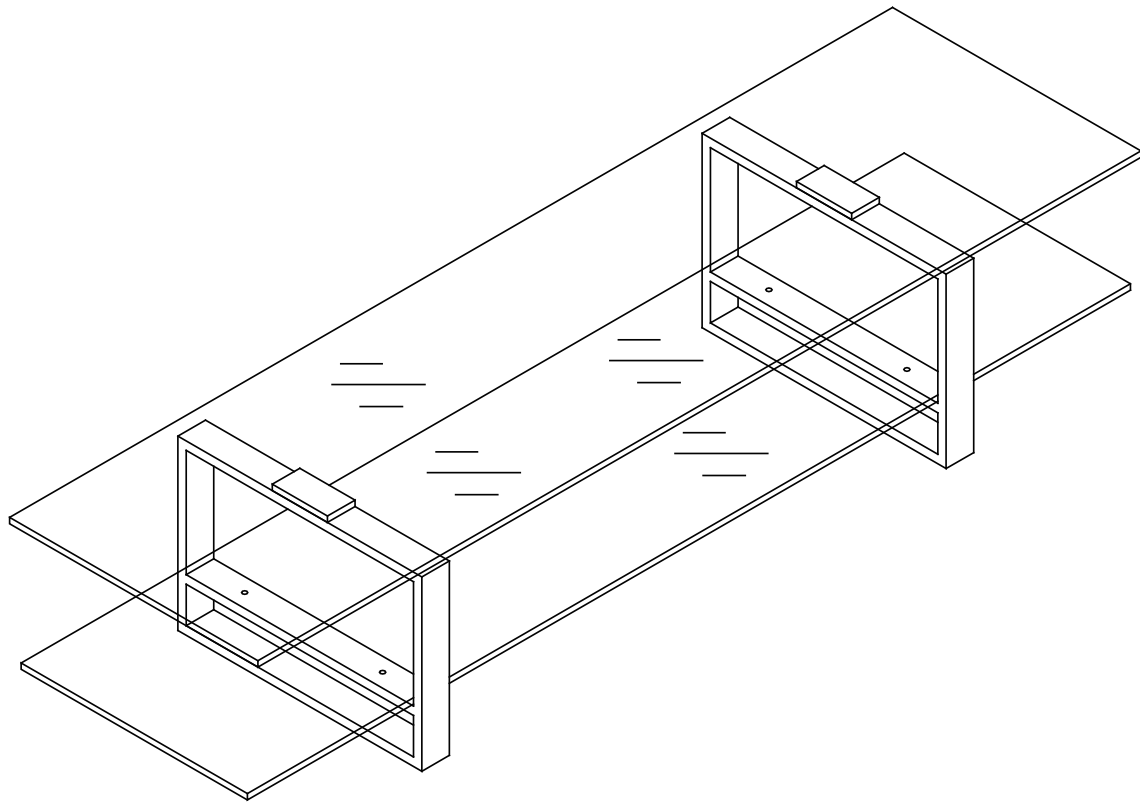
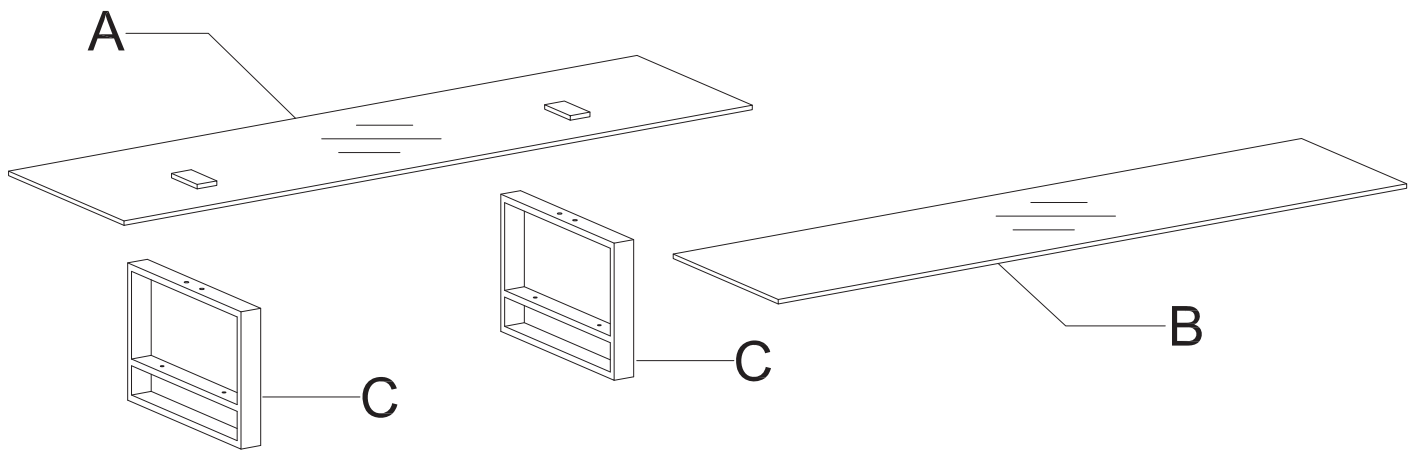


---

# Katrine





5/16"x 22mm  
D x 4



Ø18mm  
E x 4



Ø16 x 2.0mm  
F x 4



4mm  
G x 1



Step 1

