

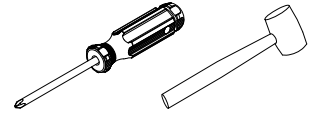
ASSEMBLY INSTRUCTIONS

6025

CAUTION :

- BEFORE ASSEMBLING, READ ALL THE INSTRUCTION.
- ENSURE ALL COMPONENTS ARE PLACE ONTO CARDBOARD AS PROTECTION.
- CLEAN SURFACE WITH A DRY OR DAMP SOFT CLOTH.
- DO NOT USE ABRASIVE CLEANERS, DETERGENT OR CHEMICAL.

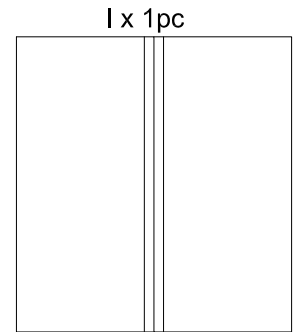
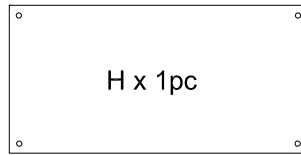
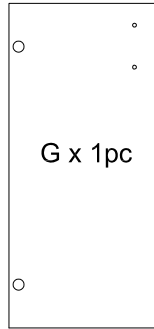
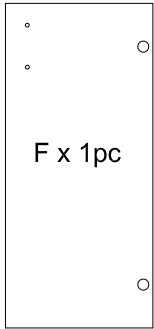
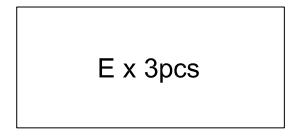
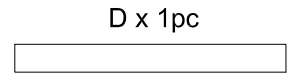
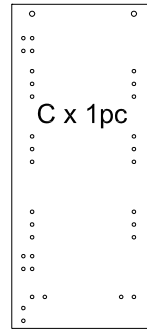
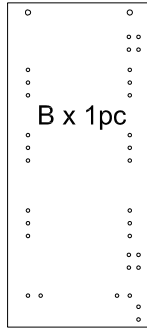
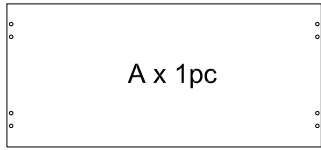
TOOLS REQUIRED :



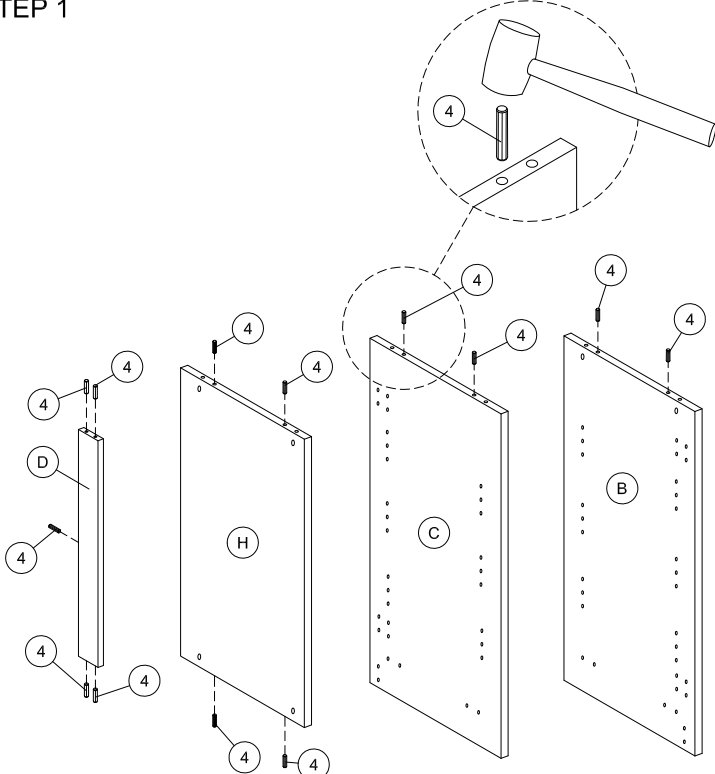
HARDWARE :

1	2	3	4	5	6	7	8	9
x 8 PCS	x 8 PCS	x 8 PCS	x 13 PCS	x 4 SETS	x 2 SETS	x 38 PCS	x 12 PCS	x 24 PCS CBS 3.5 X 16

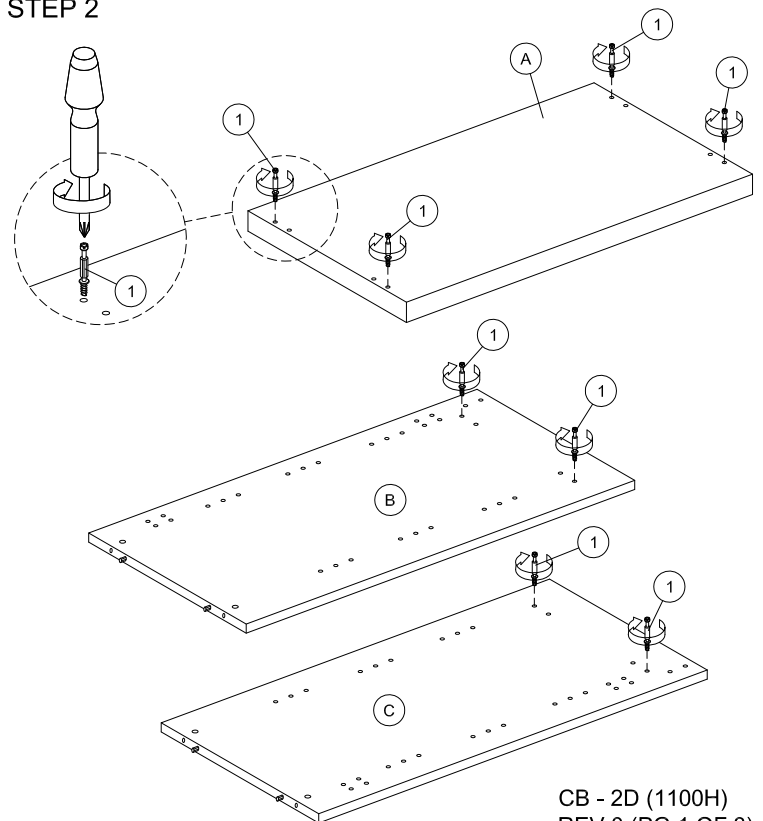
COMPONENTS :



STEP 1

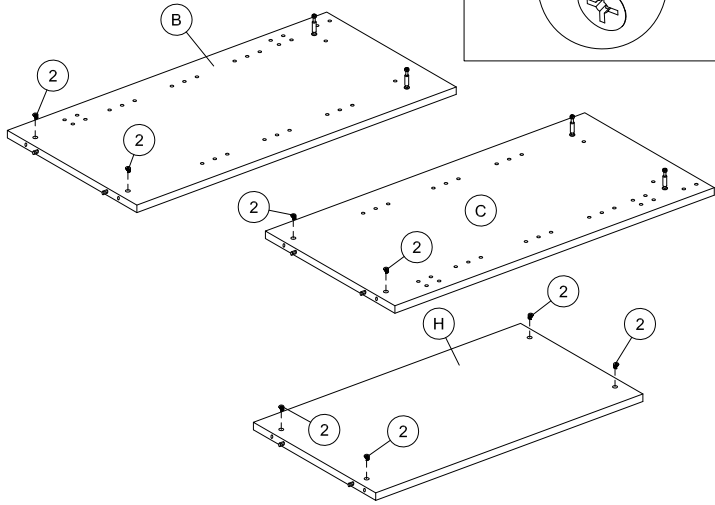


STEP 2

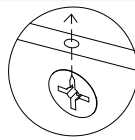


ASSEMBLY INSTRUCTIONS

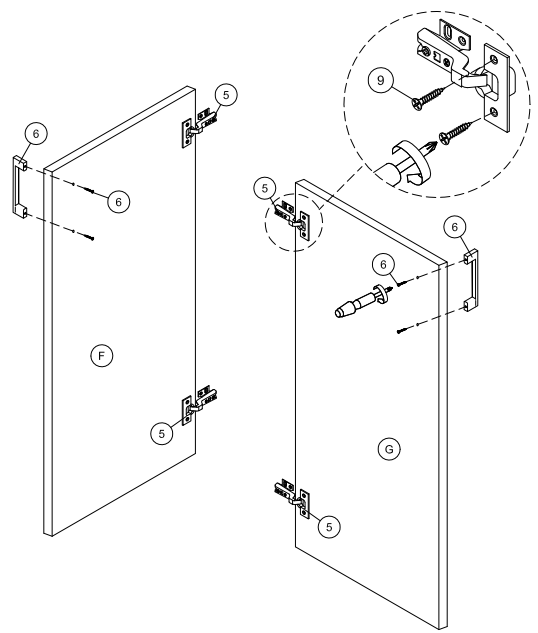
STEP 3



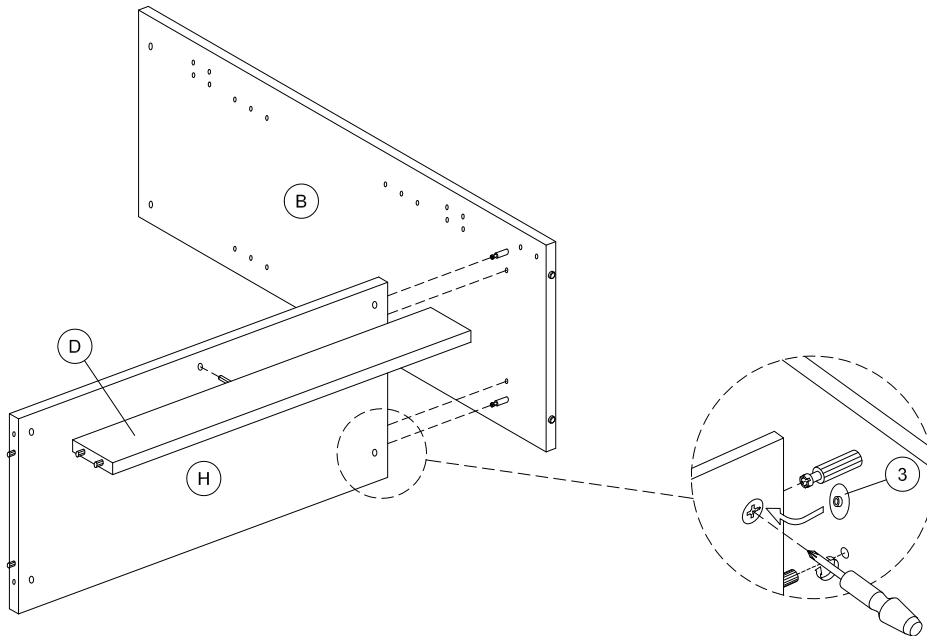
CAUTION



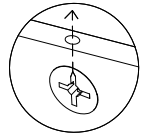
STEP 4



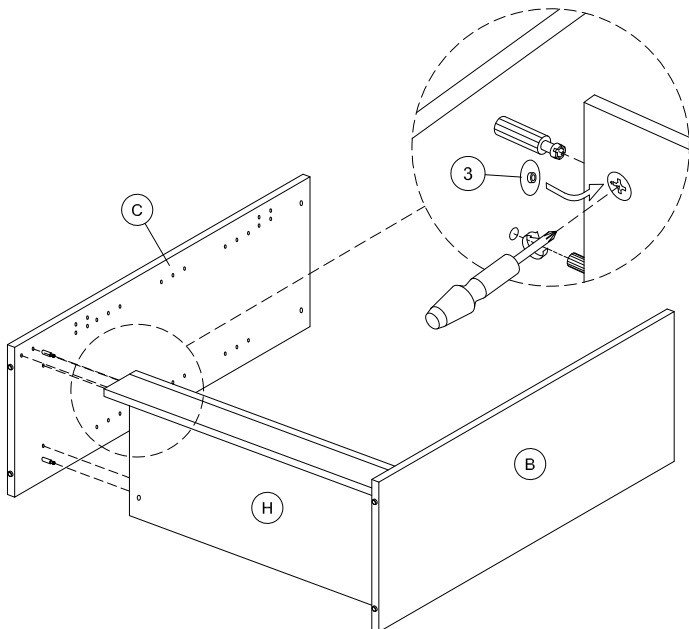
STEP 5



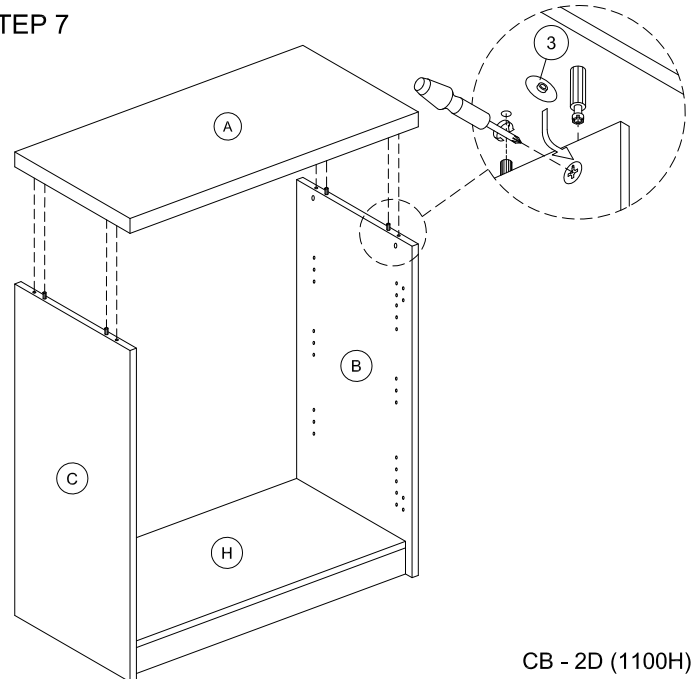
CAUTION



STEP 6

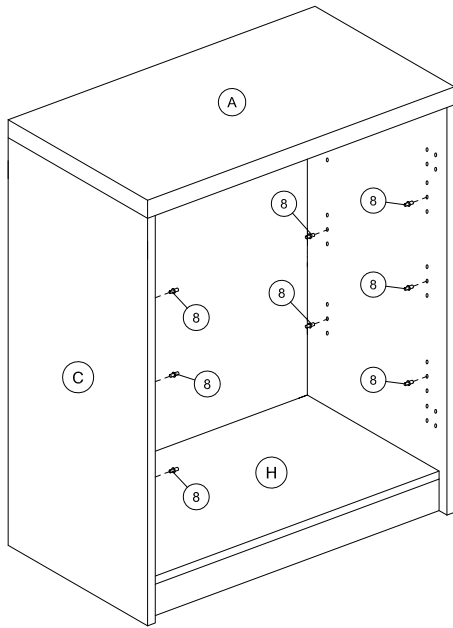


STEP 7

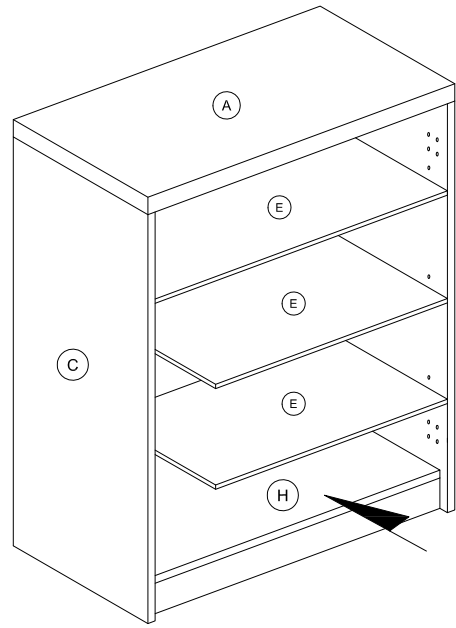


ASSEMBLY INSTRUCTIONS

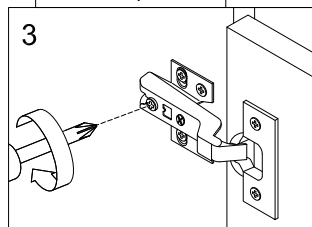
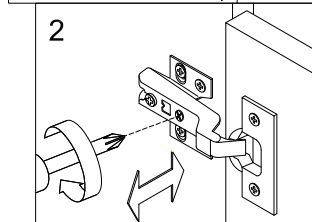
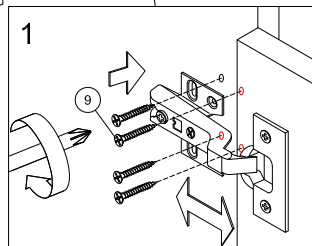
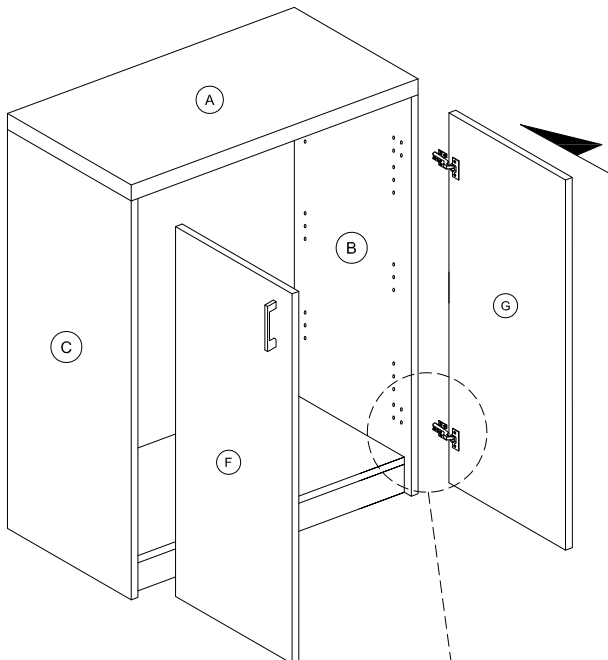
STEP 8



STEP 9



STEP 10



STEP 11

