

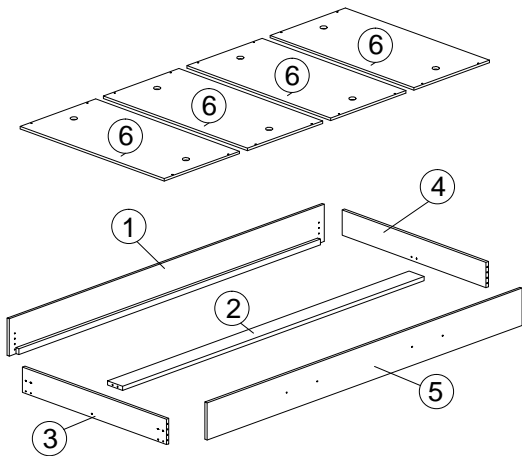
ASSEMBLY INSTRUCTION

MODEL : BED 25-S5 - ERIKA BEDLADE / TIROIR LIT / DRAWER BOX

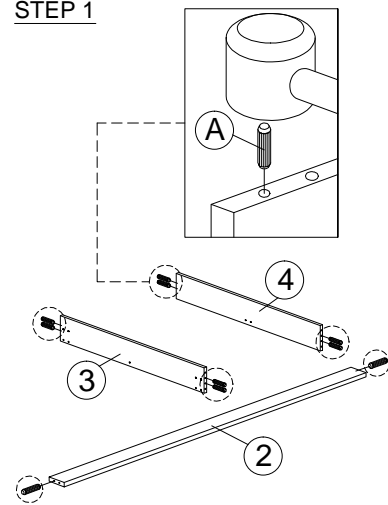
HARDWARE

A PLASTIC DOWEL 8X25 1X10	B CB SCREW M3.5X16 1X16	C CB SCREW M4X30 1X16	D CSK CAP M6X40 1X10	E HANDLE VSC 15 (192MM) - PVC 1X2	E2 PH SCREW M4X24 1X4	F 1" NYLON CASTER 1X4	G 25MM NYLON ROLLER 1X4	H CAP 1X10	I ALLEN KEY 1X1	J C 163 PLASTIC ROUND LEG 1X3	K CB SCREW M4X25 1X3
---	---	---	--	---	---	---	---	-----------------------------	----------------------------------	---	--

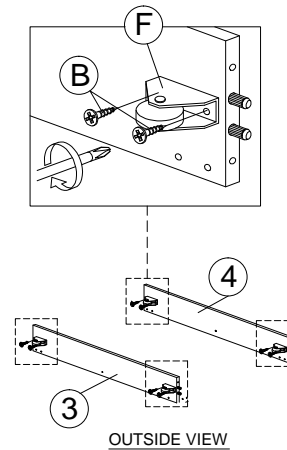
PART LIST



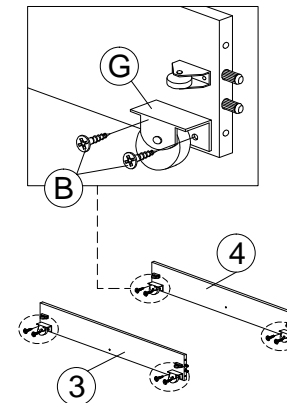
STEP 1



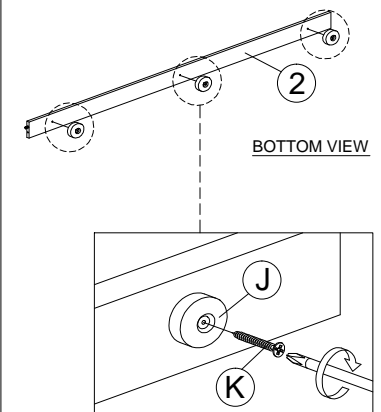
STEP 2



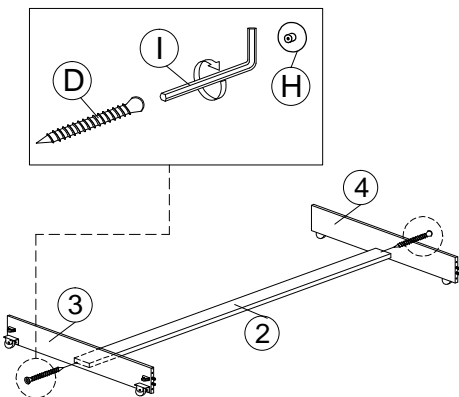
STEP 3



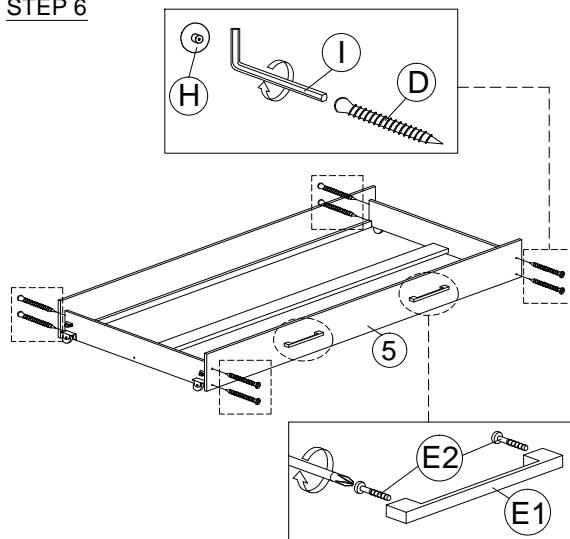
STEP 4



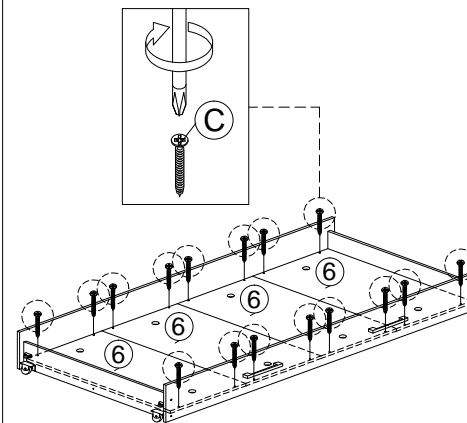
STEP 5



STEP 6



STEP 7



COMPLETED

