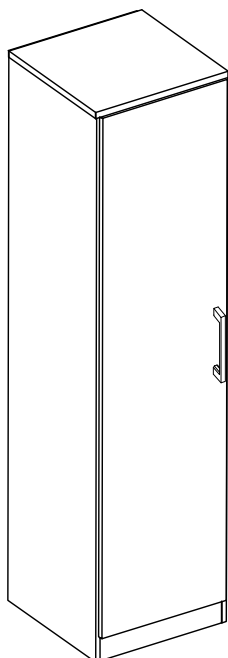


Assembly Instruction

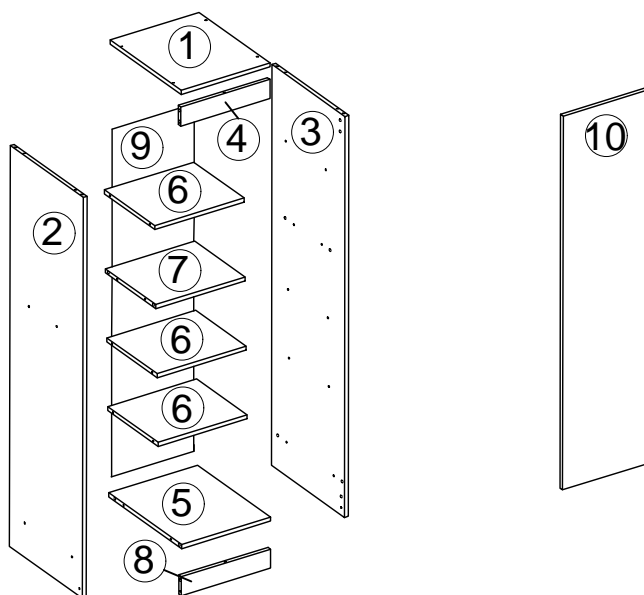
Model : TR - WR1D - 52D



Hardware List			
No.	SHAPE	DESCRIPTION	Qty.
A		8x25mm Dowel	20Pcs
B		M3.5x16mm Screw	26Pcs
C		M4x45mm Screw	14Pcs
D		Hinges	3Pcs
E		Leg L	4Pcs
F		Nail	30Pcs
G		Handle (128mm)	1Pcs
H		M4x28mm Screw	2Pcs
I		Shelf Support	12Pcs
J		Sticker	12Pcs

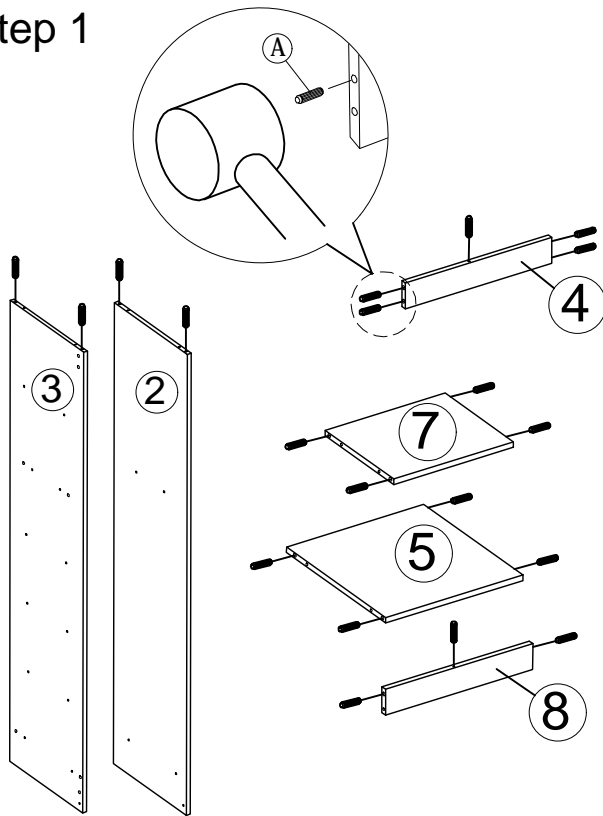
POLDIMAR B.V.B.A
Ooigemstraat 23 - 8780 oostrozebeke Belgium

Part List

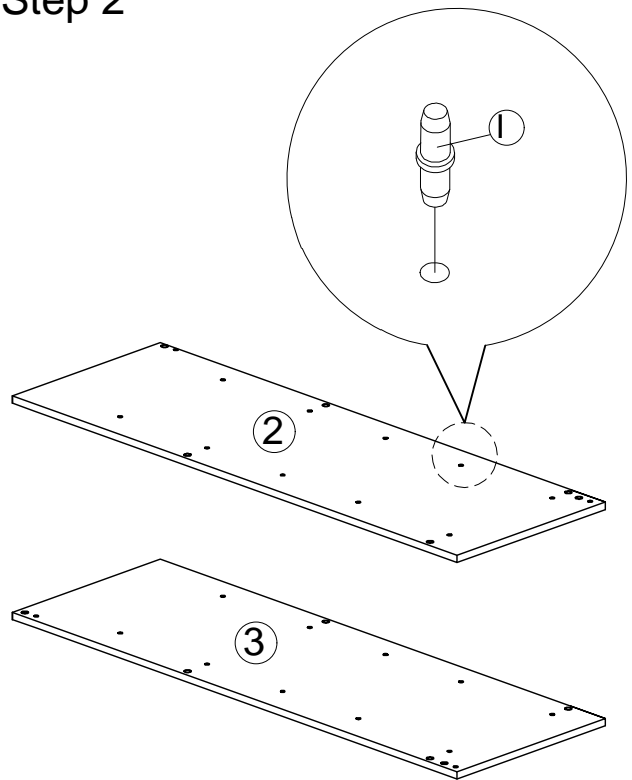


Assembly Instruction

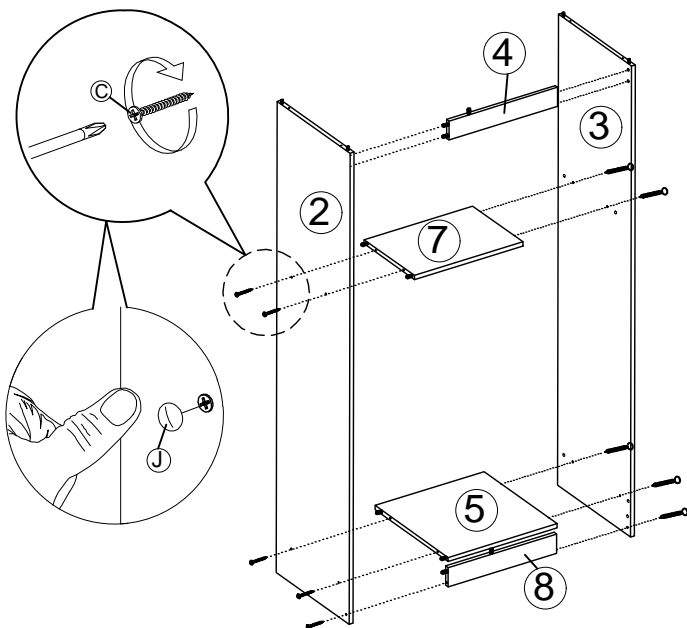
Step 1



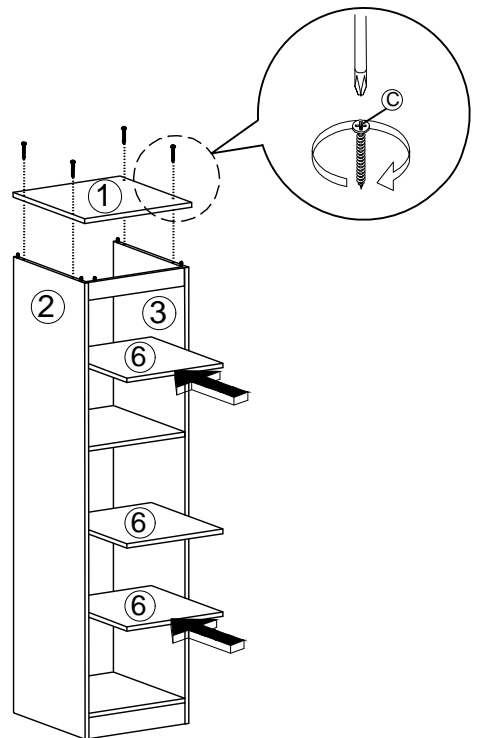
Step 2



Step 3

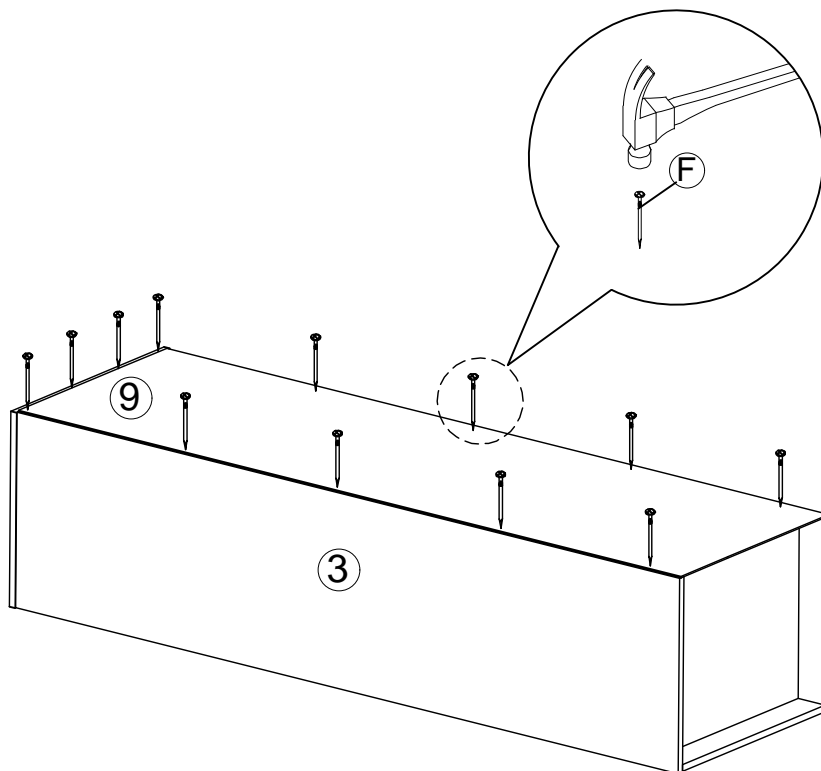


Step 4

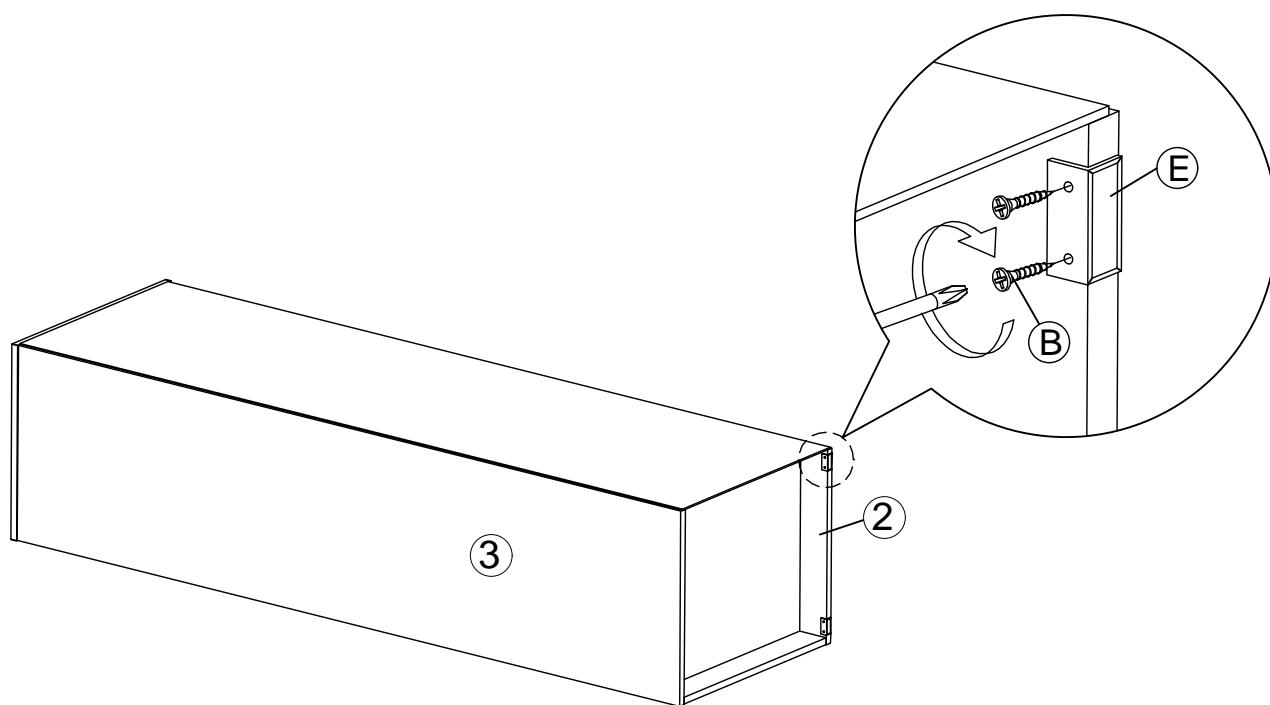


Assembly Instruction

Step 5

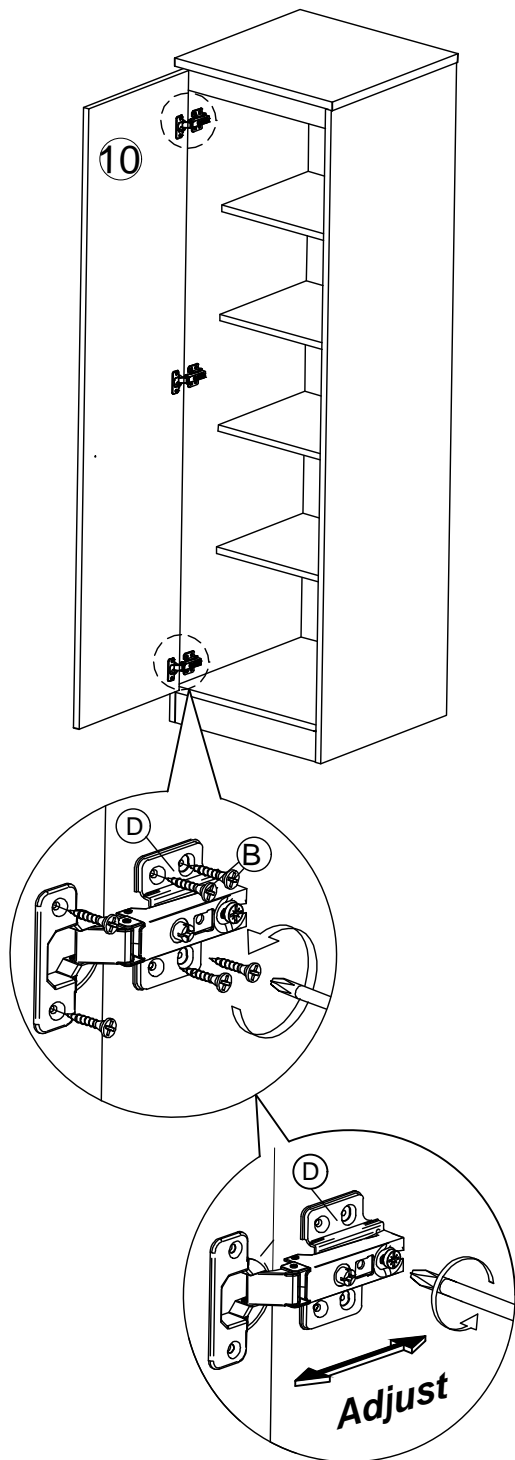


Step 6



Assembly Instruction

Step 7



Step 8

