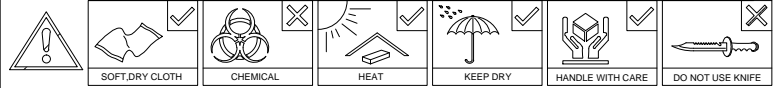
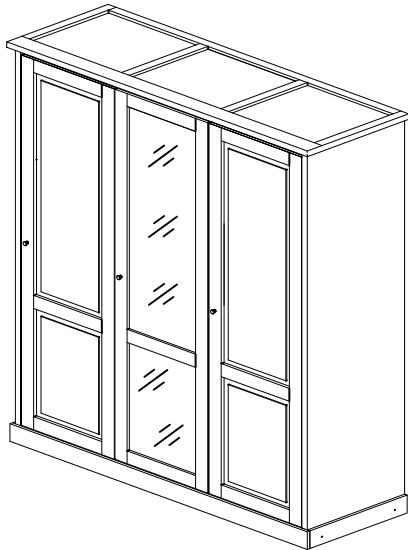


ASSEMBLY INSTRUCTION

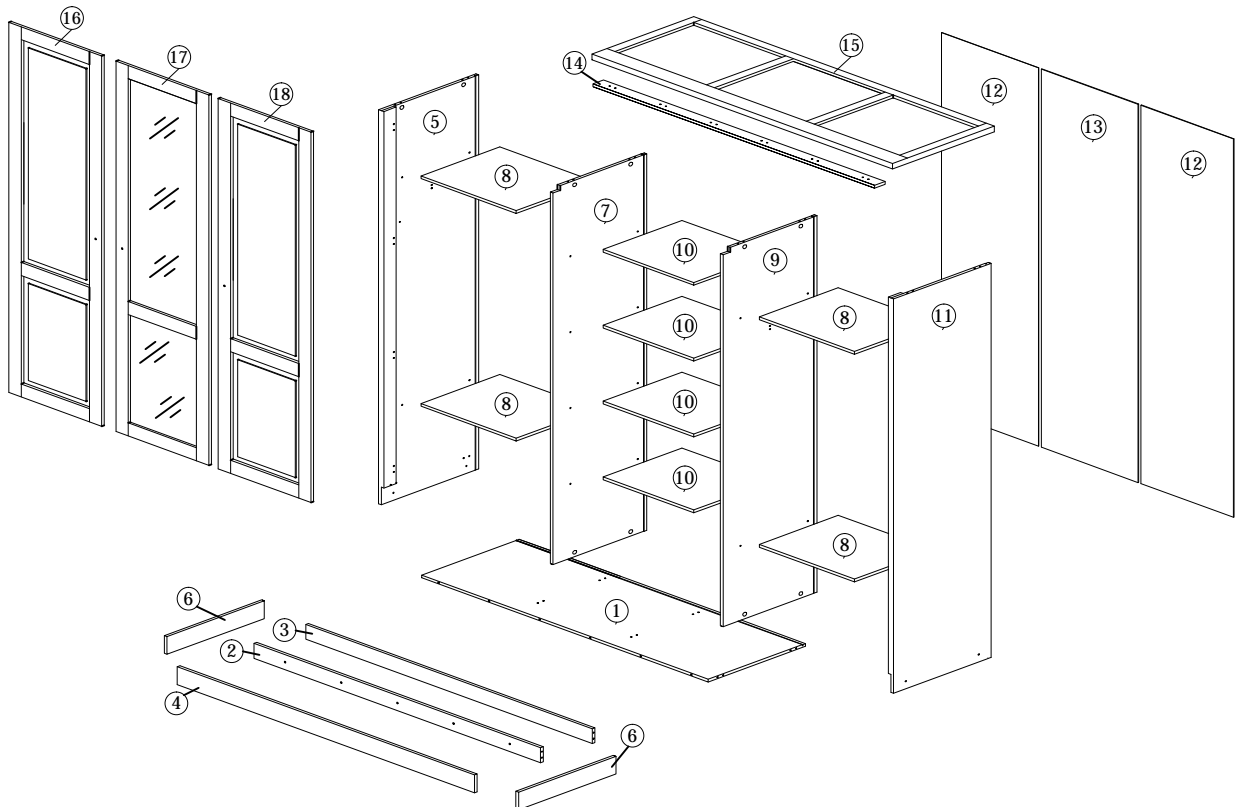
WR 80134-S5V - EMMA KLEERKAST / ARMOIRE 3D / P / 3 DOORS WARDROBE WITH 2 MIRRORS

- ~ Before assembly, please read the instructions ~
- ~ Keep these instructions for future reference ~
- ~ Follow these steps to assemble the product ~

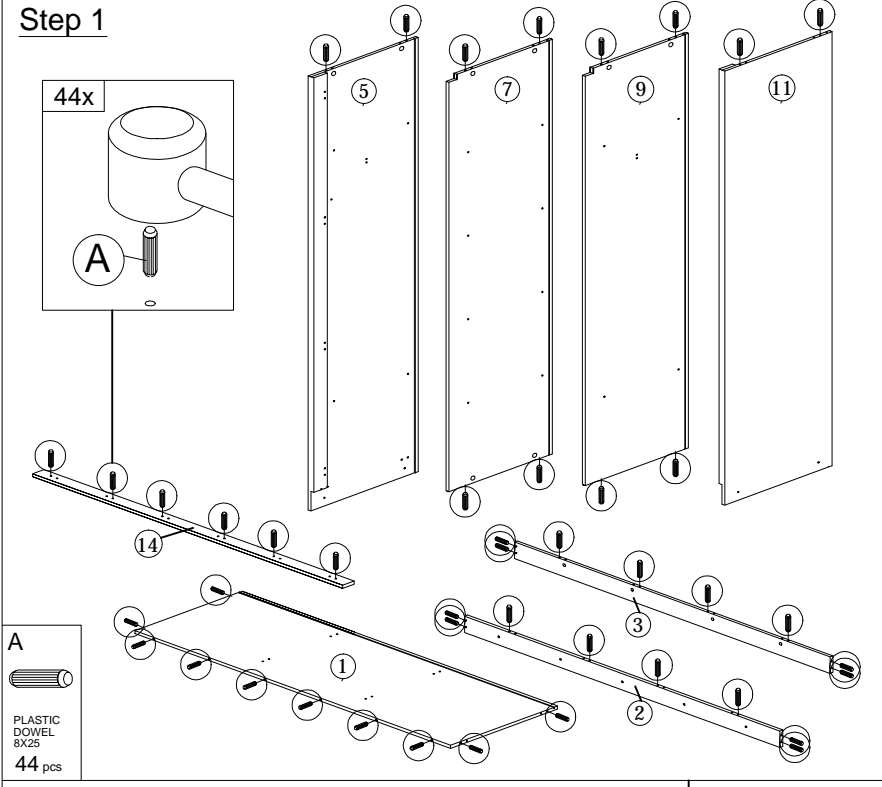


HARDWARE	A PLASTIC DOWEL 8X25 44pcs	B CB SCREW M3.5X16 (16MM) 56pcs	C CB SCREW M4X25 (25MM) 9pcs	D CSK CAP M6X50 (50MM) 6pcs	E V-BRACKET 4pcs	F PYRAMID ANGLE CORNER BLOCK 6pcs	G1 HANDLE RA01835 (ANTIQUE ENGLISH) 3pcs	G2 HANDLE SCREW M4X22 (22MM) 3pcs	H HINGES 3/4" 8pcs	I PLASTIC PIN 8pcs
	J1 MINIFIX 5654 (HOUSING) 24pcs	J2 MINIFIX 5654 (SCREW) 24pcs	K1 Q-FIT VB3500 (HOUSING) 32pcs	K2 Q-FIT VB3500 (SCREW) 32pcs	L CAP 22pcs	M ALLEN KEY 1pc	N CHROME PIPE (535MM) 2pc	O POWER NAIL 3/8" 24pcs	P HINGES 3/4" 4pcs	
	Q PLASTIC CORNER BLOCK 8pcs	R CB SCREW M4X20 (20MM) 22pcs								

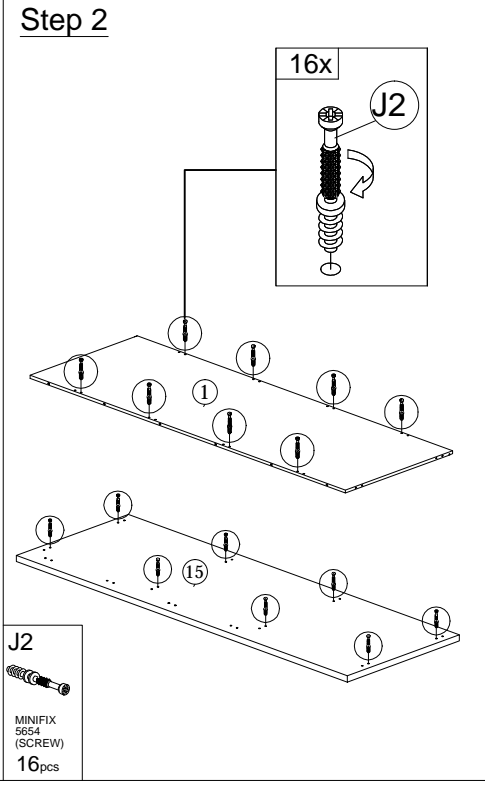
PART LIST



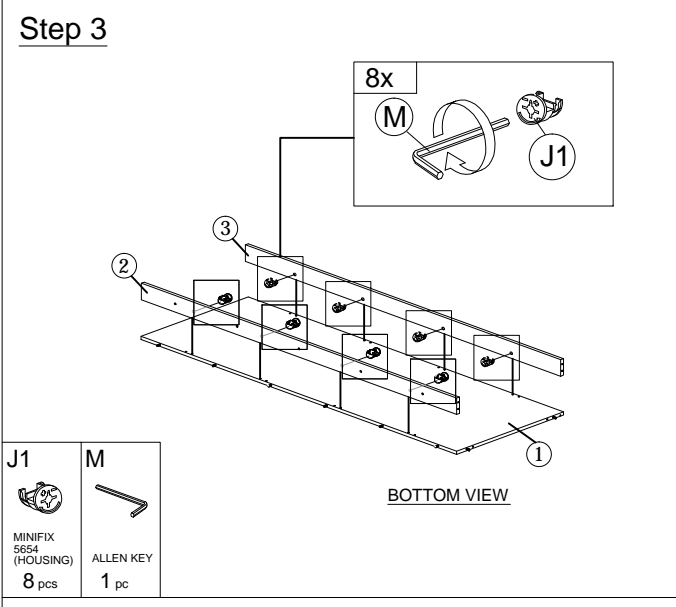
Step 1



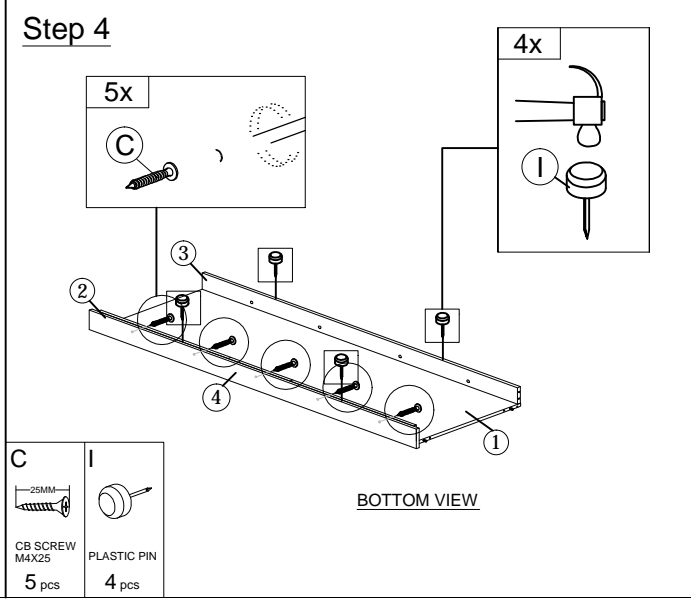
Step 2



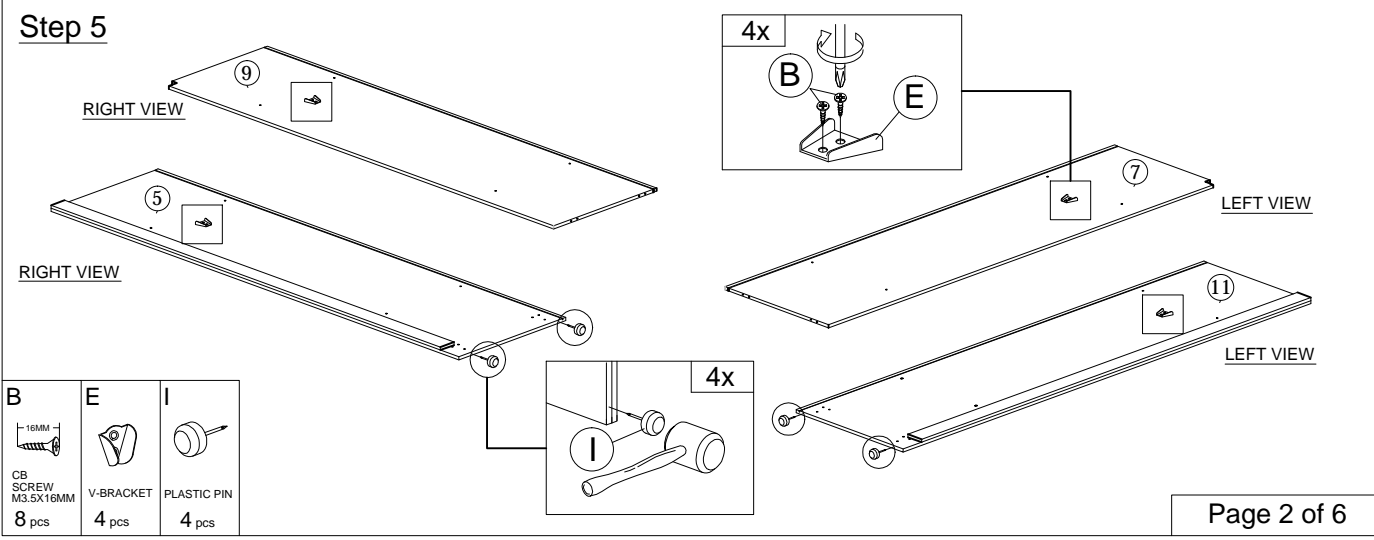
Step 3



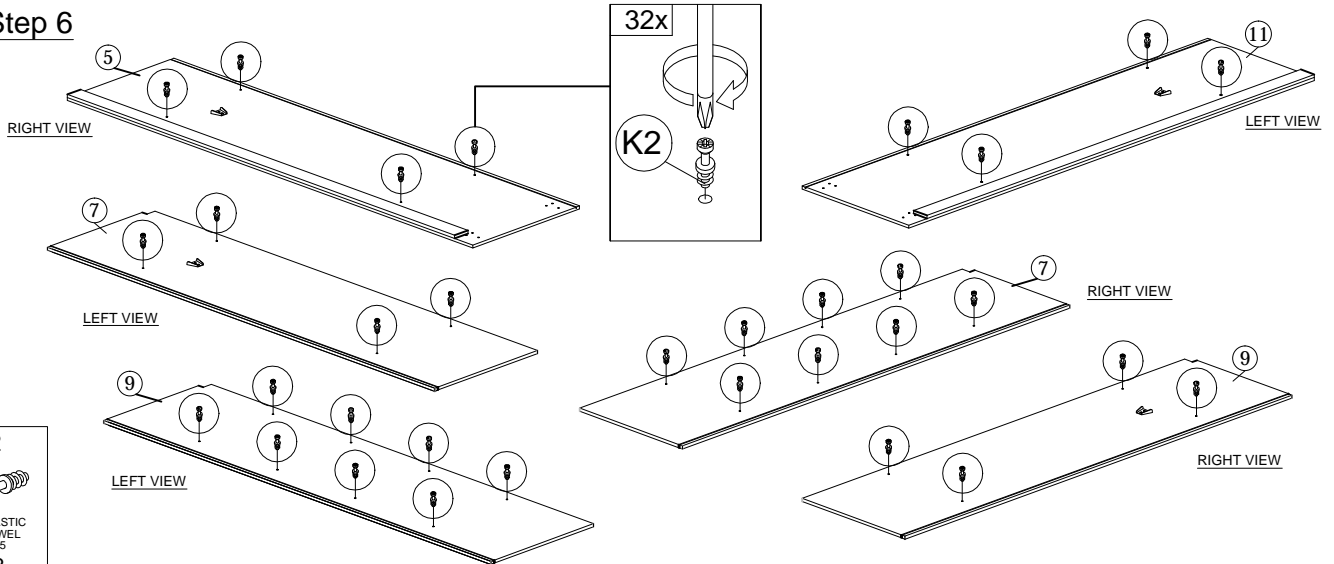
Step 4



Step 5



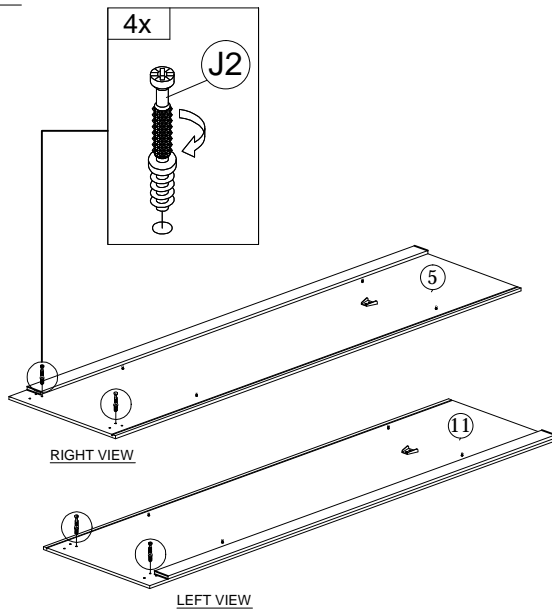
Step 6



K2

PLASTIC DOWEL
8X25
32 pcs

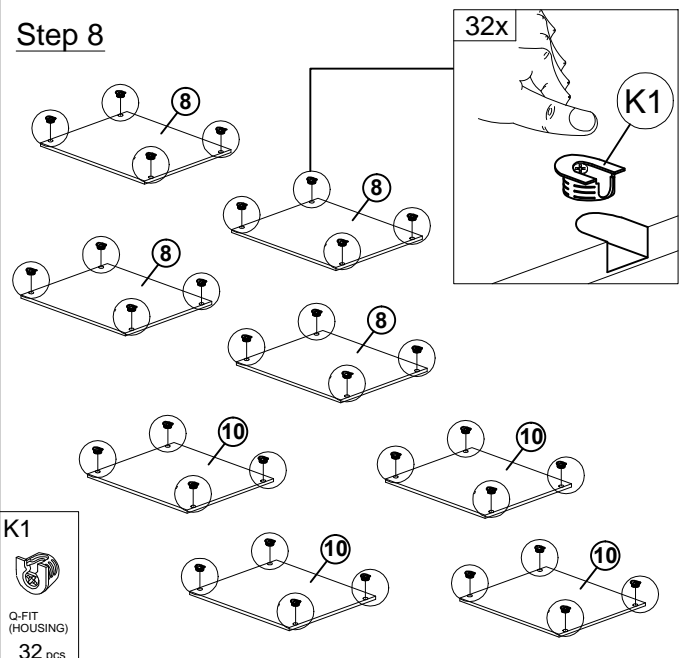
Step 7



J2

MINIFIX
S654
(SCREW)
4 pcs

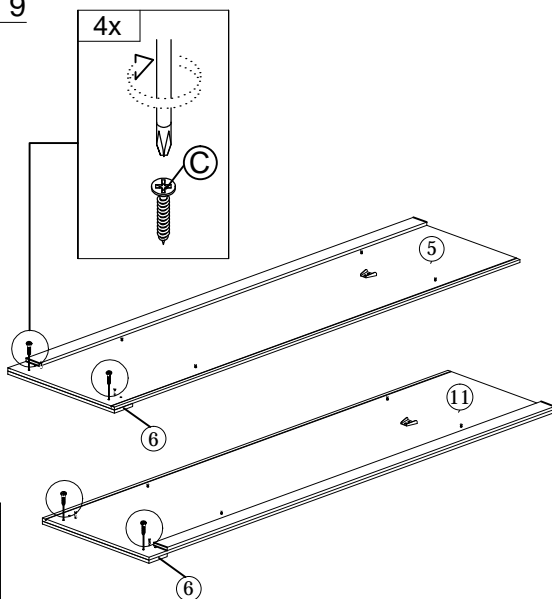
Step 8



K1

Q-FIT
(HOUSING)
32 pcs

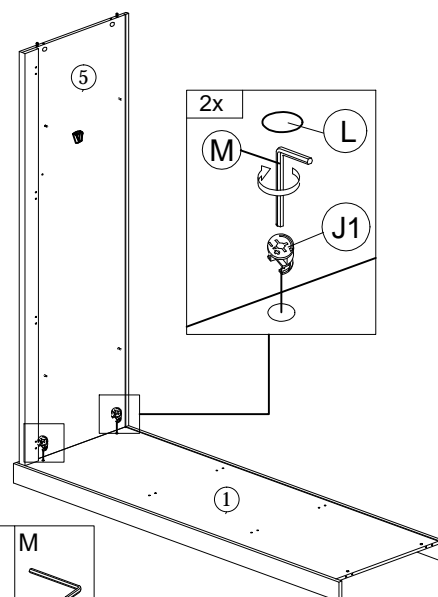
Step 9



C

CB SCREW
M4X25
4 pcs

Step 10



J1

MINIFIX
S654
(HOUSING)
2 pcs

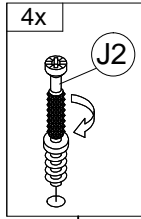
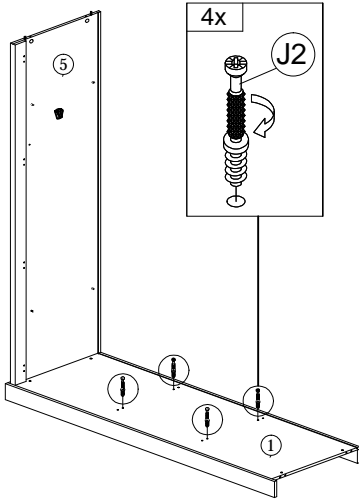
L

CAP
2 pcs

M

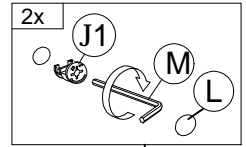
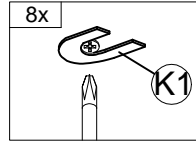
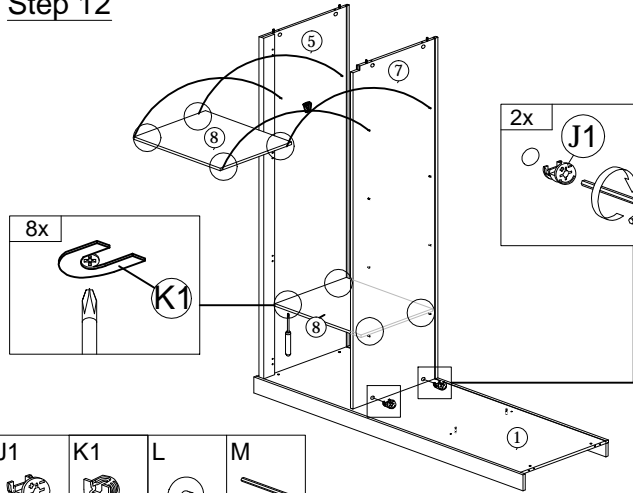
ALLEN KEY
1 pc

Step 11



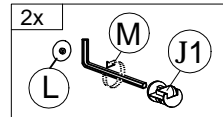
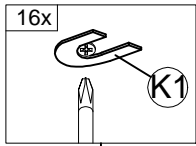
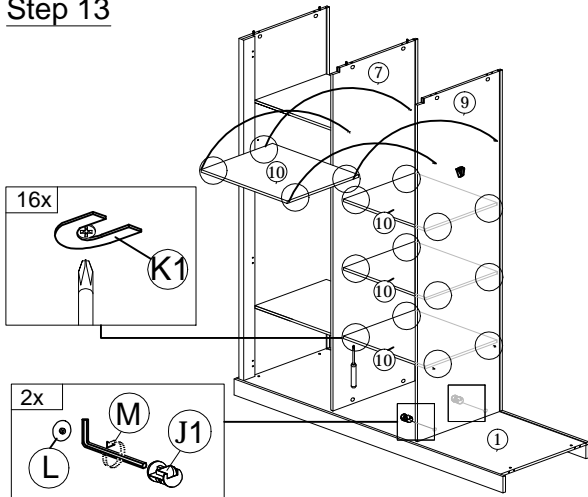
J2
MINIFIX
5654
(SCREW)
4 pcs

Step 12



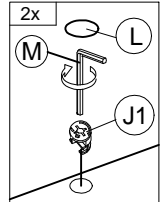
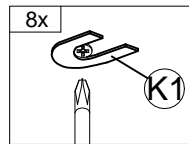
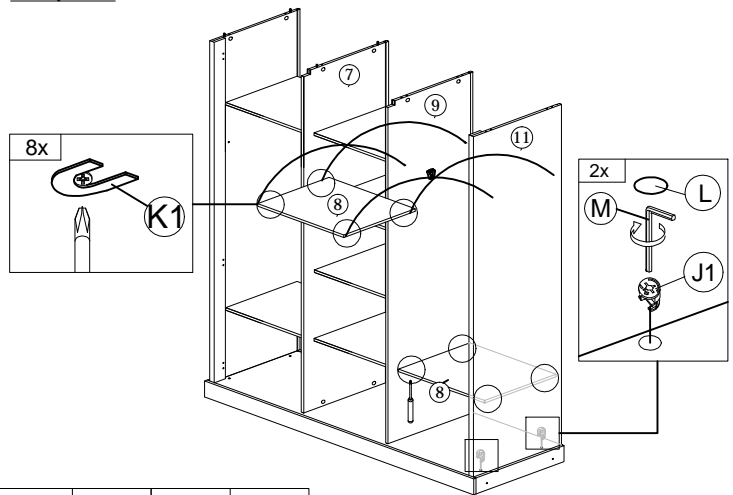
J1 MINIFIX 5654 (HOUSING) 2 pcs	K1 Q-FIT VB3500 (HOUSING) 8 pcs	L CAP 2 pc	M ALLEN KEY 1 pc
--	---	-------------------------	-------------------------------

Step 13



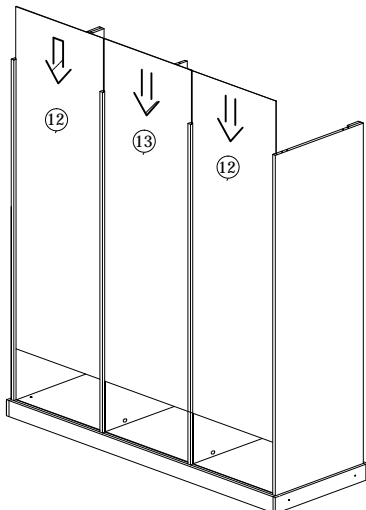
J1 MINIFIX 5654 (HOUSING) 2 pcs	K1 Q-FIT VB3500 (HOUSING) 16 pcs	L CAP 2 pcs	M ALLEN KEY 1 pc
--	--	--------------------------	-------------------------------

Step 14

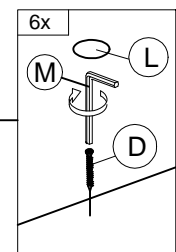
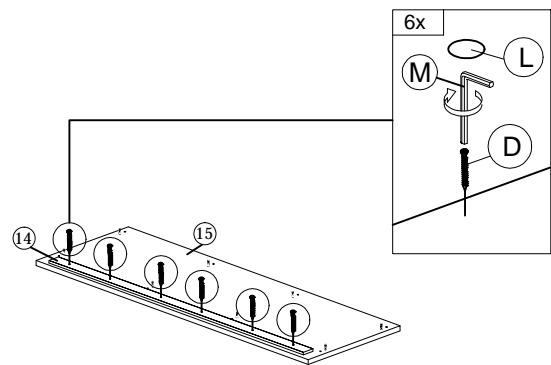


J1 MINIFIX 5654 (HOUSING) 2 pcs	K1 Q-FIT VB3500 (HOUSING) 8 pcs	L CAP 2 pcs	M ALLEN KEY 1 pc
--	---	--------------------------	-------------------------------

Step 15

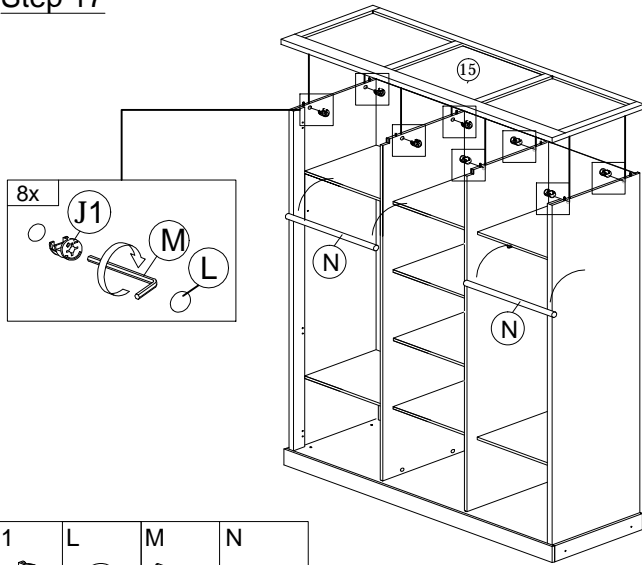





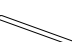
Step 16



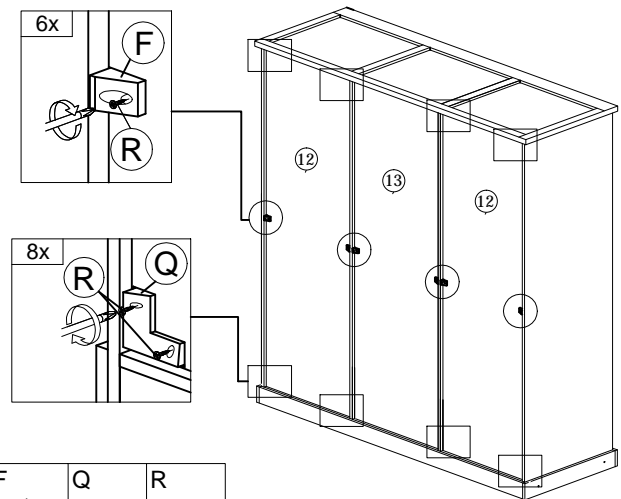
D 50MM CSK CAP M6x50 6 pcs	L CAP 6 pcs	M ALLEN KEY 1 pc
--	--------------------------	-------------------------------



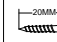
Step 17



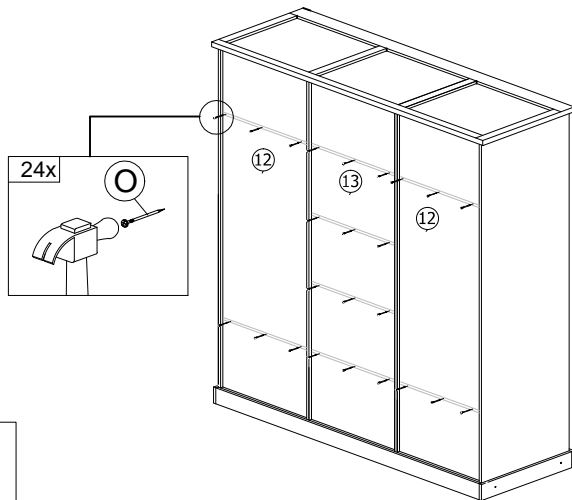
J1  MINIFIX 5654 (HOUSING) 8 pcs	L  CAP 8 pcs	M  ALLEN KEY 1 pc	N  CHROME PIPE (535MM) 2 pcs
---	---	--	---


Step 18



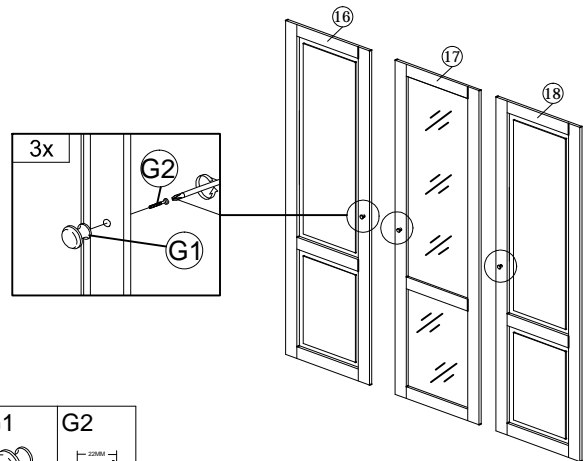
F  PYRAMID ANGLE CORNER BLOCK 6 pcs	Q  PLASTIC CORNER BLOCK 8 pcs	R  CB SCREW M4X20 22 pcs
--	--	--



Step 19



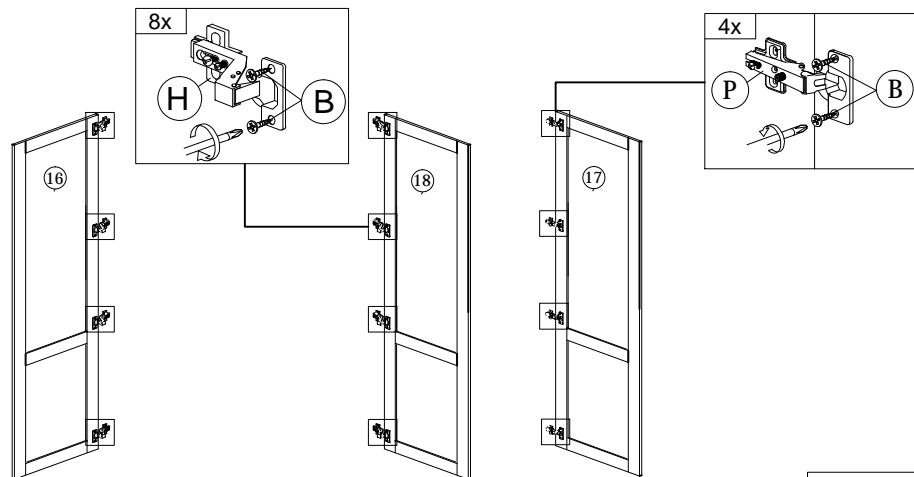
O  POWER NAIL 5/8" 24 pcs
--




Step 20



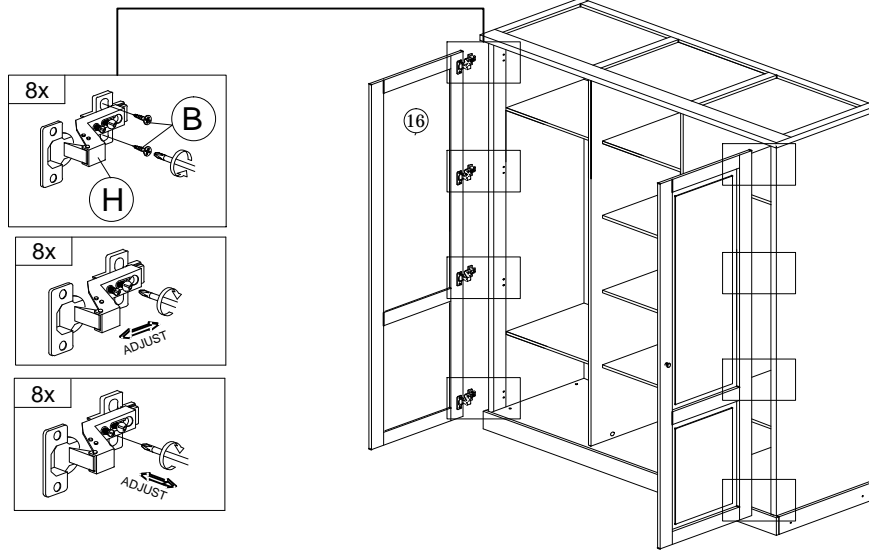
G1  HANDLE RA01835 (ANTIQUE ENGLISH) 3 pcs	G2  HANDLE SCREW M4X22 3 pcs
---	---

Step 21



B  CB SCREW M3.5X16 24 pcs	H  HINGES 5/8" 8 pcs	P  HINGES 5/8" 4 pcs
---	---	---

Step 22



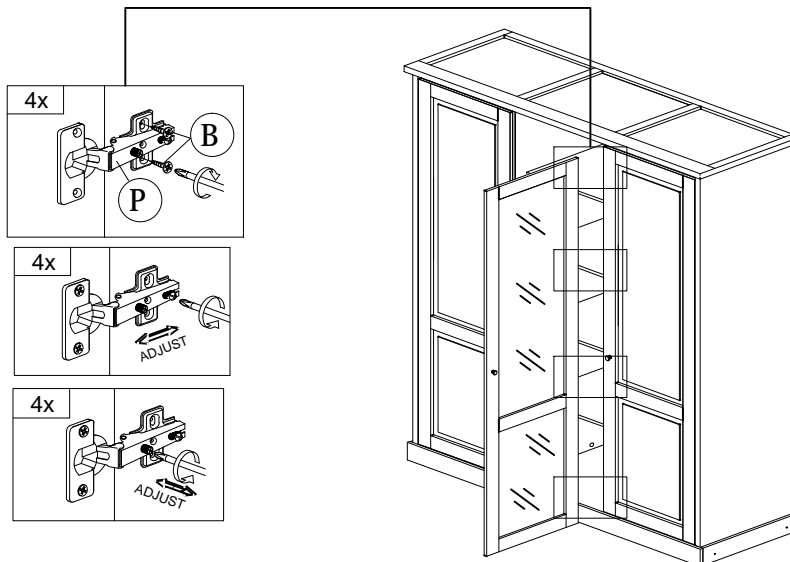
B



CB
SCREW
M3.5X16

16 pcs

Step 23



B



CB
SCREW
M3.5X16

8 pcs

COMPLETED

