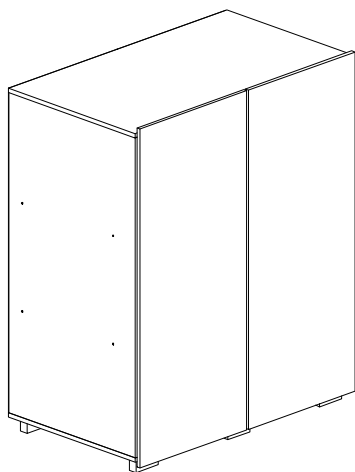


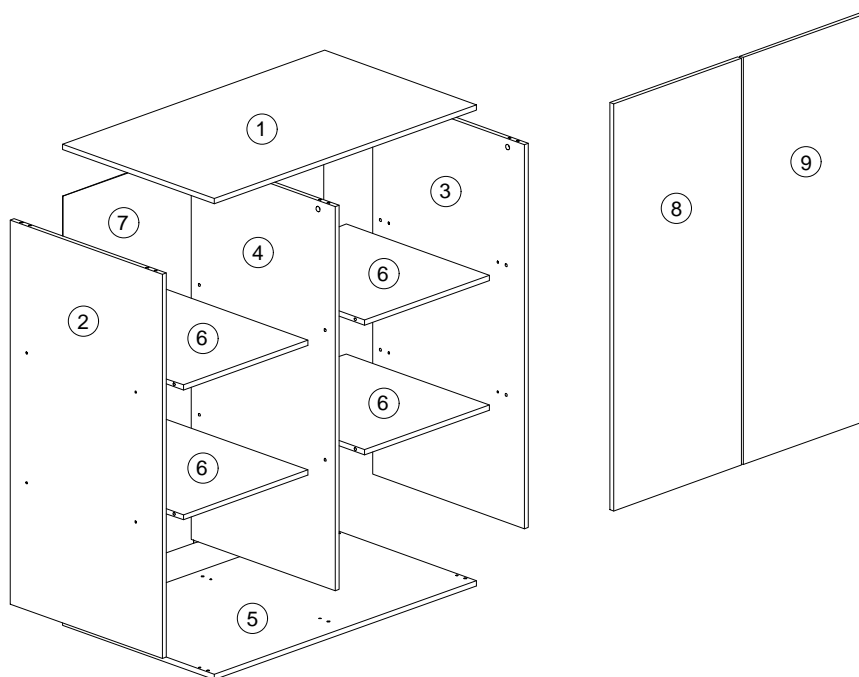
Assembly Instruction

Model : TR-CB2D WH RIO CUPBOARD



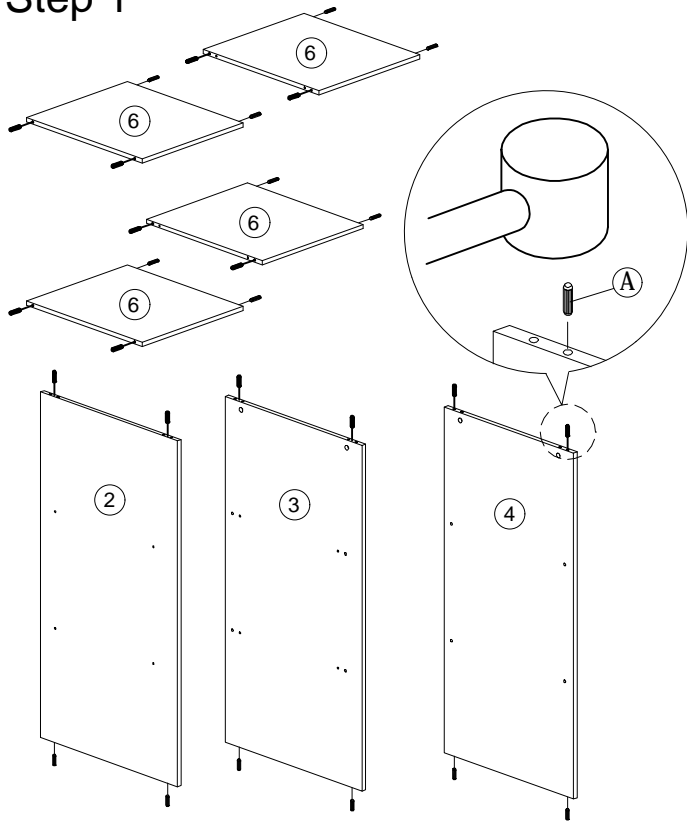
Hardware List			
No.	SHAPE	DESCRIPTION	Qty.
A		8x25mm Dowel	28Pcs
B		15MM Myfix Minifix	6Sets
C		M3.5x16mm Screw	24Pcs
D		M4x45mm Screw	14Pcs
E		Nail	30Pcs
F		Hinges 2/8	4Pcs
G		Plastic Leg	6Pcs
H		M4x25mm Screw	12Pcs
I		Sticker	8Pcs

Part List

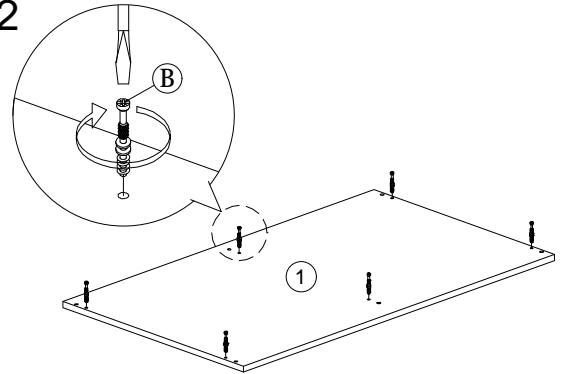


Assembly Instruction

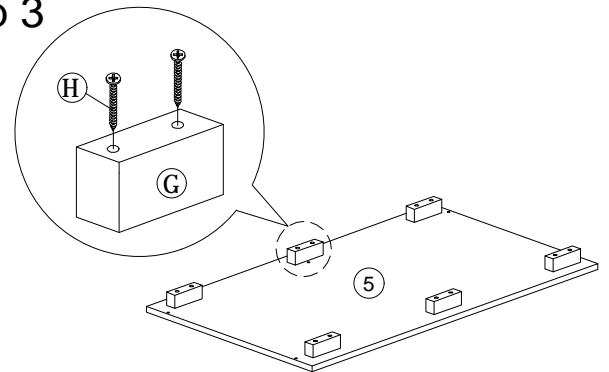
Step 1



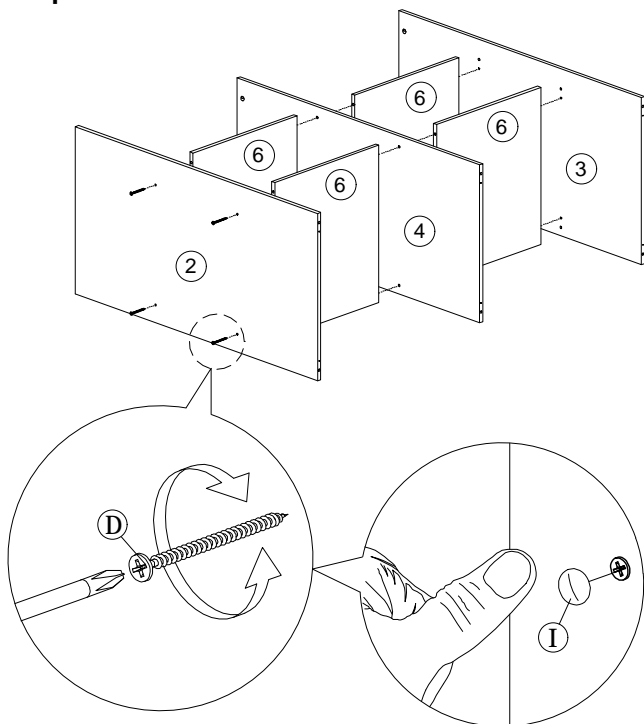
Step 2



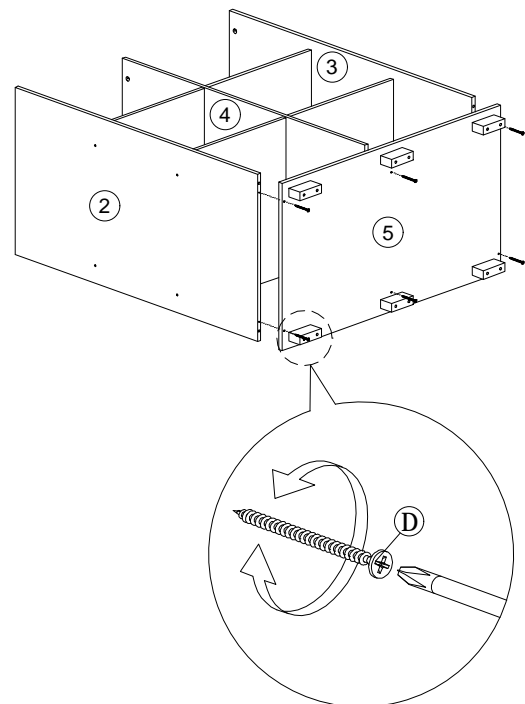
Step 3



Step 4

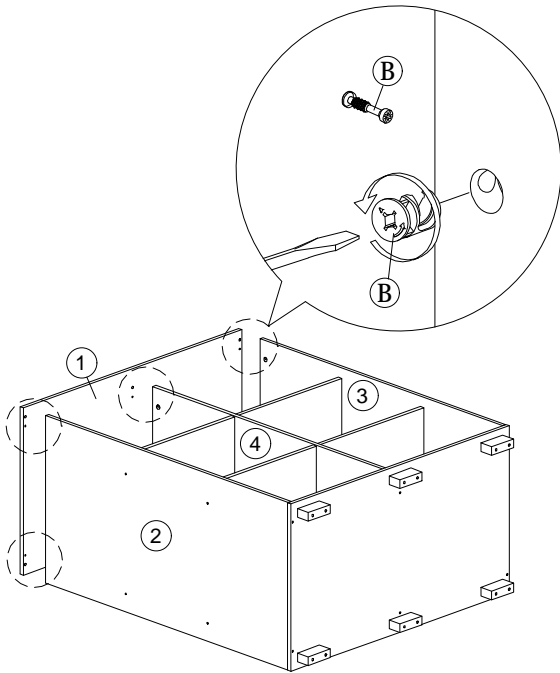


Step 5

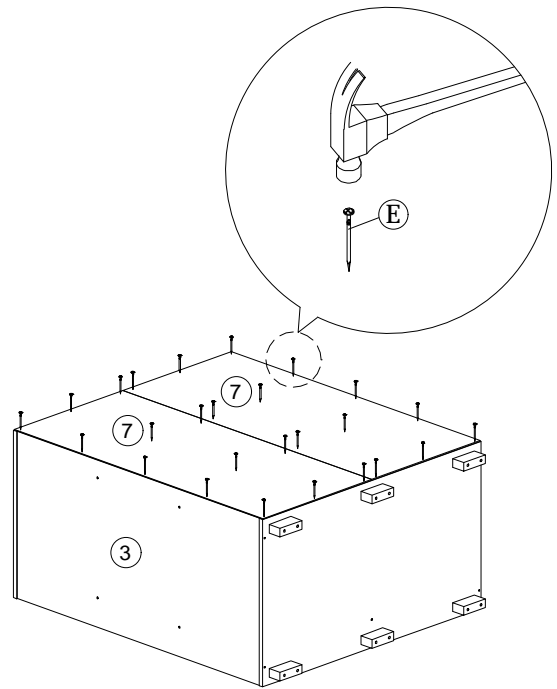


Assembly Instruction

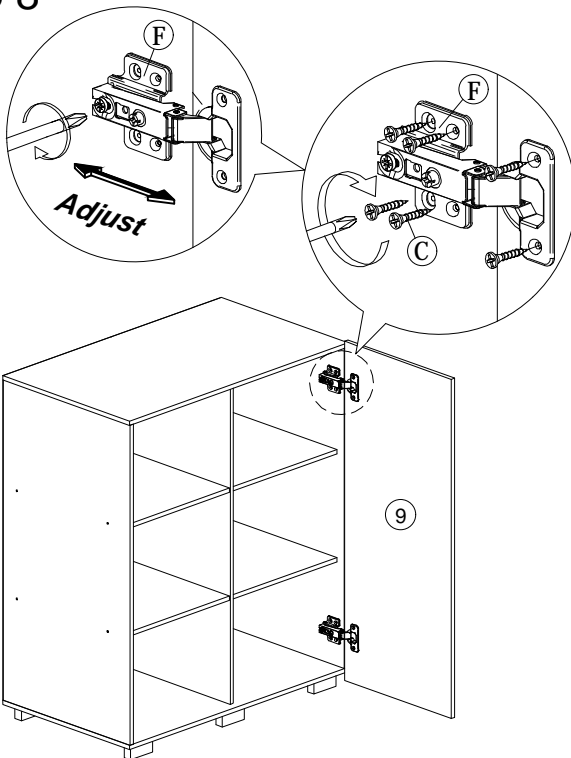
Step 6



Step 7



Step 8



Step 9

