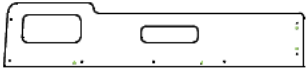
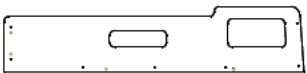




TO HELP PREVENT SERIOUS OR FATAL INJURIES FROM ENTRAPMENT OR FALLS
PLEASE READ ALL WARNINGS AND INFORMATION CAREFULLY

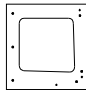
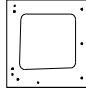


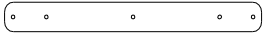
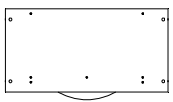


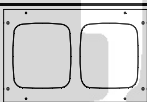



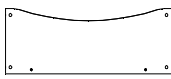
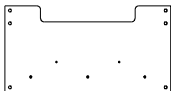
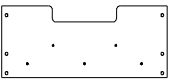

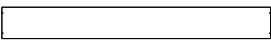
- 1 The top of the mattress shall not come above the line marked on the bed.
- 2 Be aware of the danger of young children(under 6)falling from the upper bunk
- 3 EN 747 part 1 and part 2:2007.
- 4 Manufacturer: Kids Furniture Limited
- 5 The line.That the top of the mattress may not exceed will be permanently marked.
- 6 Adult assembly required.
- 7 Periodically check and ensure that the guard rails, ladder and other components are in their proper position, free from damage,and that all connectors are tight.
- 8 Prohibit your bed direct of the sunlight. Prolonged exposure to heat sources will cause the wood to dry out. All finishes will fade over time.
- 9 Avoid extreme temperature or humidity conditions.
- 10 Place the bed flat on the floor to avoid from slanting or any damages.
- 11 All assembly fastenings should always be tightened properly and that care should be taken that no fitting are loose.
- 12 The bunk bed should not be used if any structural part is broken or missing.
- 13 Children can strangle in items such as ropes,strings,cords,harnesses and belts attached to or hung on a bunk bed.
- 14 Maximumthickness of the mattress:100mm
- 15 Mattress size:900x1900mm
- 16 Warning:"Children can become trapped between the bed and the wall. To avoid risk of serious injury the distance between the top safety barrier and the wall shall not exceed 75mm or shall be more than 230mm."

Warning! Not suitable for children under 3 years due to small parts.

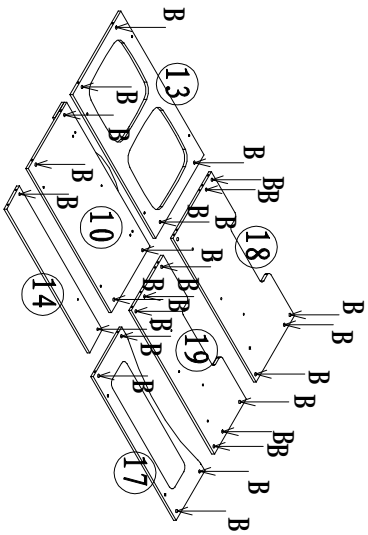
902-19 Funky Fire Engine Bunk Bed Assembly Instruction

ITEM NO.	MEASUREMENT	QTY	SHAPE	CARTON NO.
①	2110 x 392 x 15	x1		1-5
②	2110 x 392 x 15	x1		1-5
③	720 x 490 x 15	x1		3-5
④	720 x 490 x 15	x1		3-5

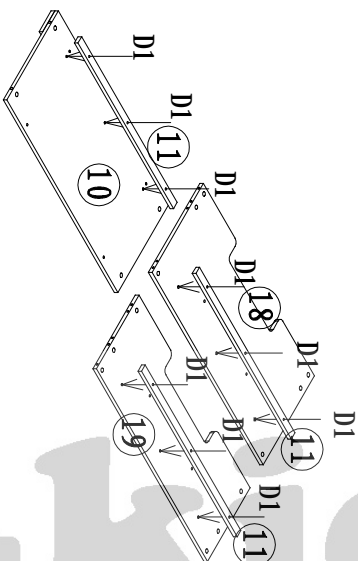
902-19 Funky Fire Engine Bunk Bed Assembly Instruction

ITEM NO.	MEASUREMENT	QTY	SHAPE	CARTON NO.
⑤	510 x 490 x 15	x1		3-5
⑥	510 x 490 x 15	x1		3-5
⑦	2110 x 450 x 15	x1		1-5
⑧	2110 x 450 x 15	x1		1-5
⑨	570 x 60 x 15	x4		2-5
⑩	930 x 430 x 15	x1		2-5
⑪	900 x 30 x 15	x3		2-5
⑫	930 x 98 x 15	x3		2-5
⑬	930 x 540 x 15	x1		2-5
⑭	930 x 180 x 15	x1		2-5
⑮	200 x 200 x 15	x1		3-5
⑯	45 x 45 x 35	x1		3-5
⑰	930 x 380 x 15	x1		2-5
⑱	930 x 430 x 15	x1		2-5
⑲	930 x 366 x 15	x1		2-5
⑳	2007 x 400 x 12	x2		5-5
㉑	2007 x 198 x 12	x4		5-5

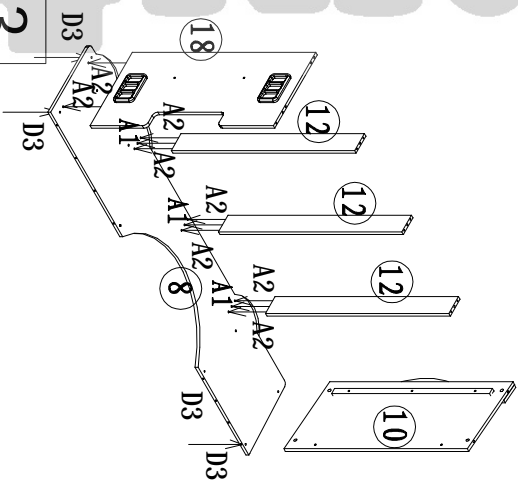
902-19 Funky Fire Engine Bunk Bed Assembly Instruction



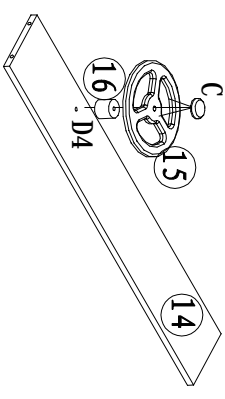
1



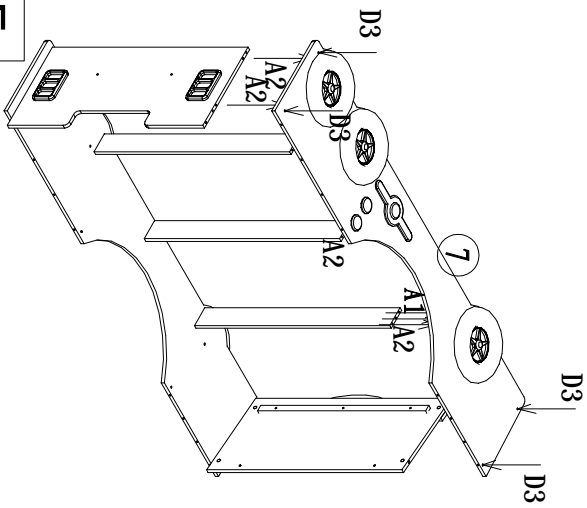
2



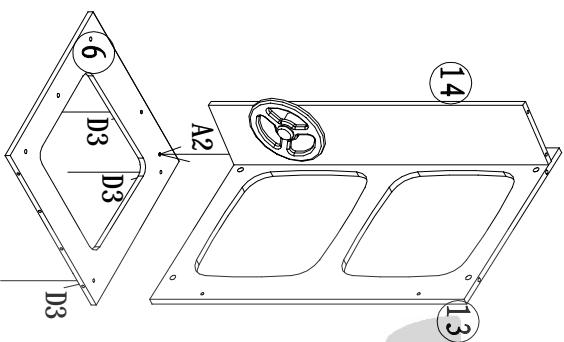
3



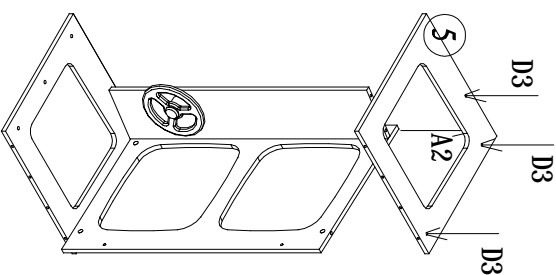
4



5



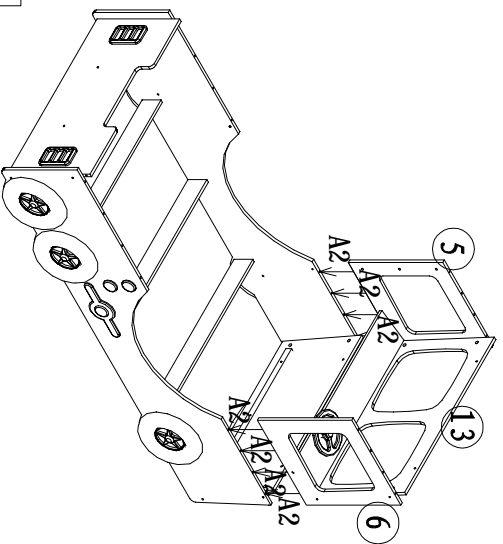
6



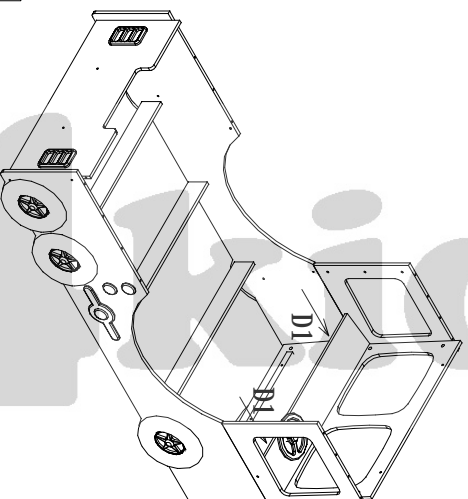
7

PIECES NO.	SAMPLE PICTURE	QTY	CARTON NO.
A1		x6	3-5
A2		x54	3-5
B		x26	3-5
C		x1	3-5
D1		x33	3-5
D2		x10	3-5
D3		x26	3-5
D4		x1	3-5
E		x24	3-5
F		x3	2-5
G		x1	4-5

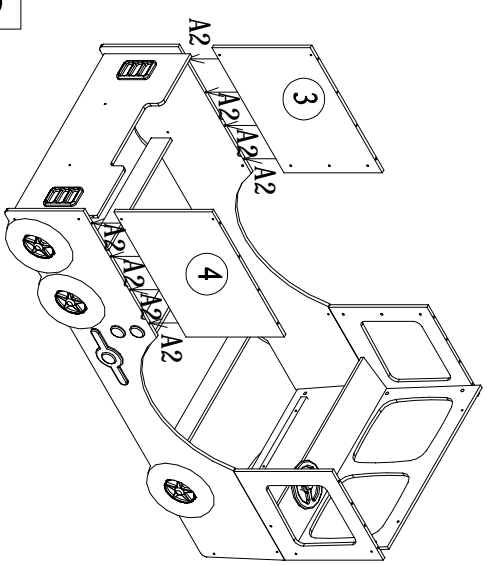
902-19 Funky Fire Engine Bunk Bed Assembly Instruction



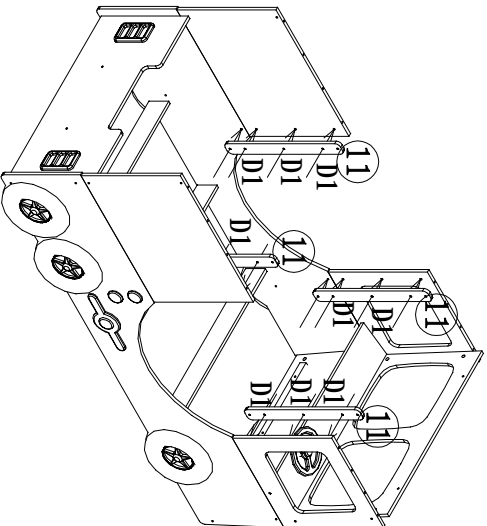
8



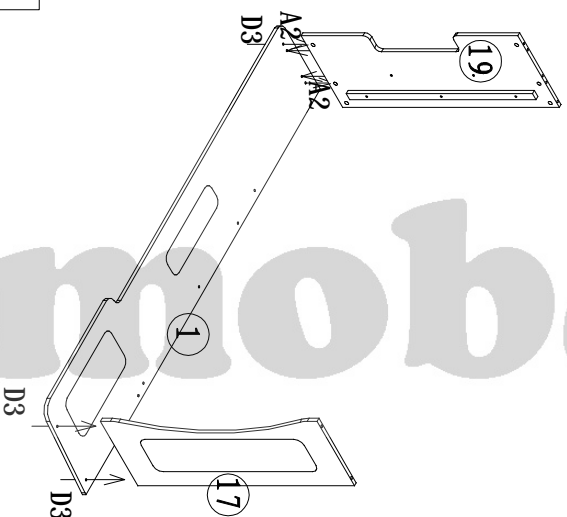
9



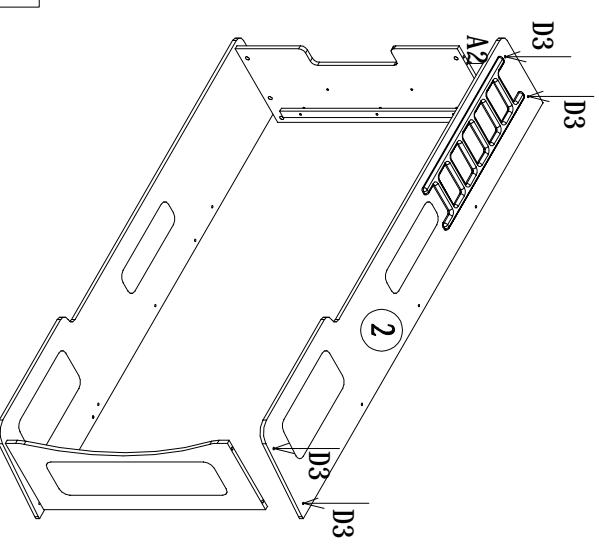
10



11

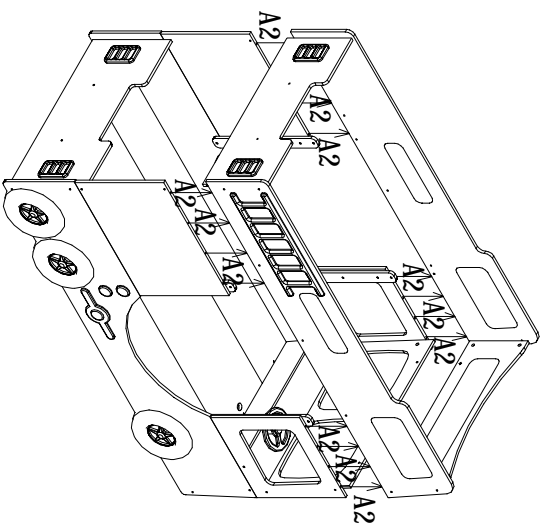


12

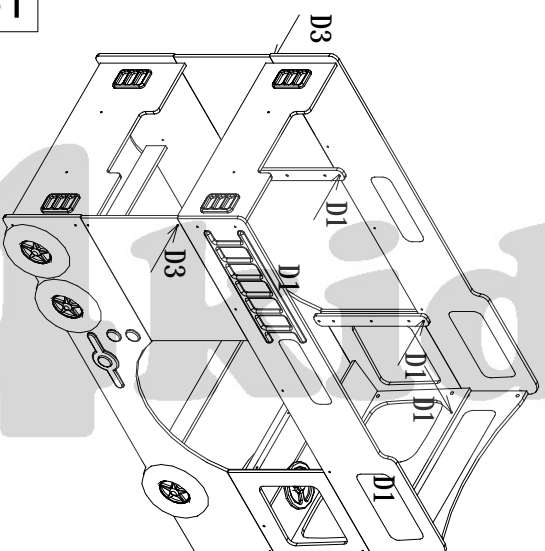


13

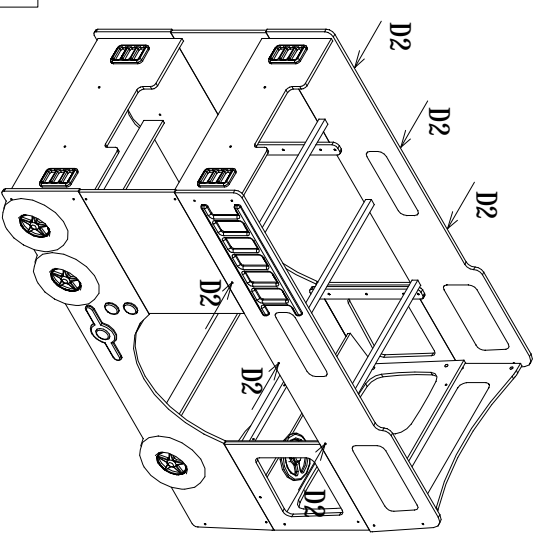
902-19 Funky Fire Engine Bunk Bed Assembly Instruction



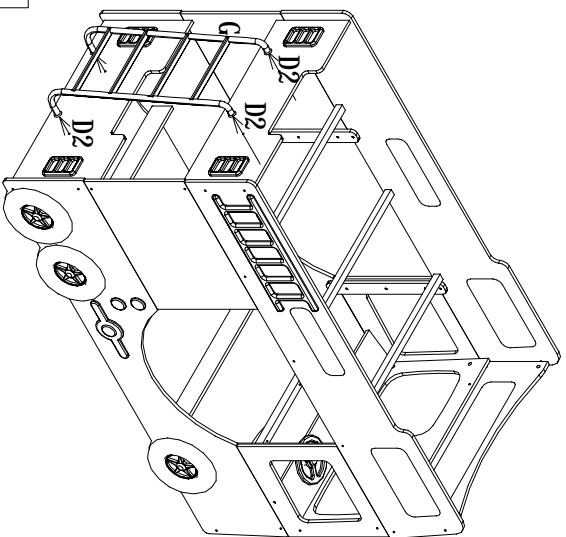
14



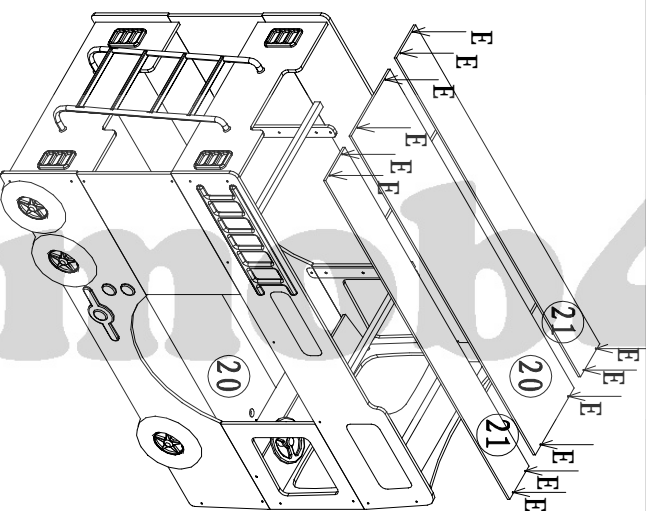
15



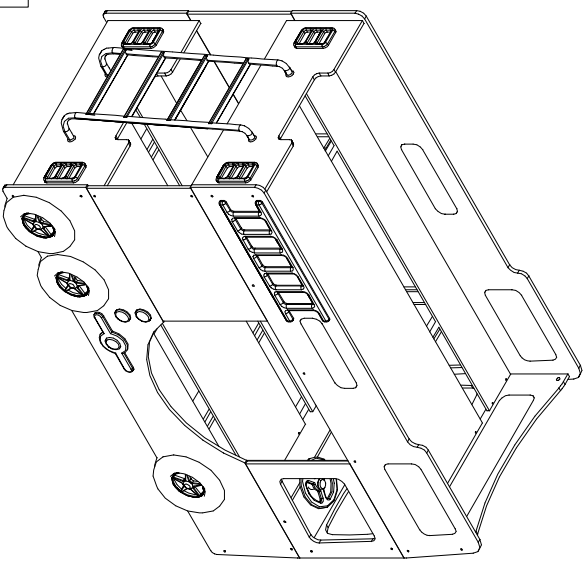
16



17



18



19