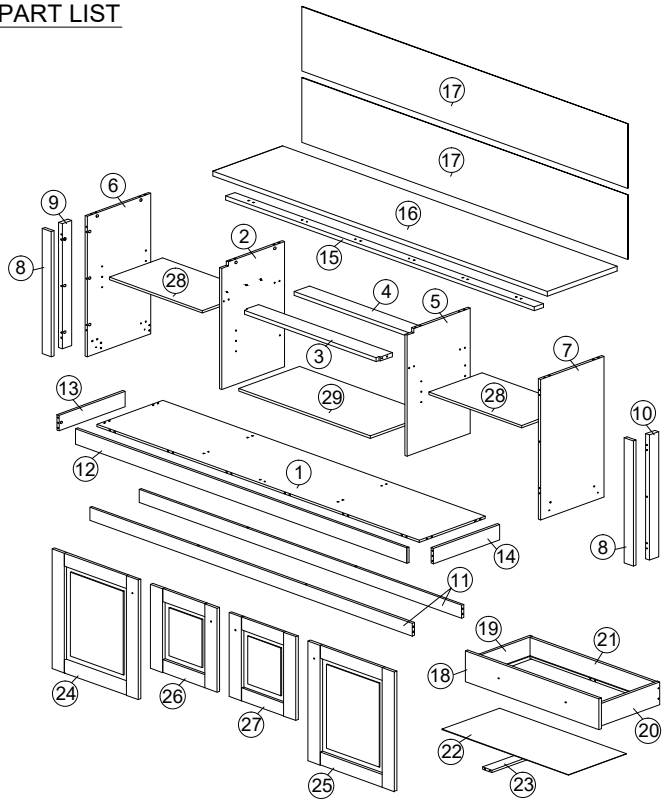


# ASSEMBLY INSTRUCTION

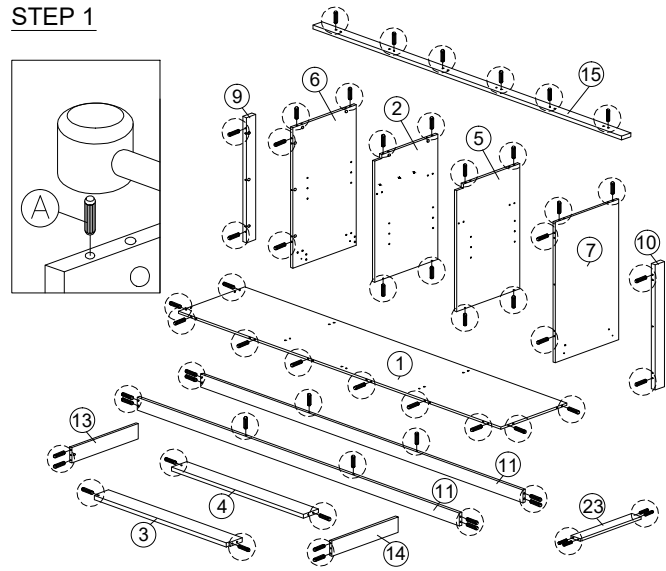
MODEL : SB 19020-S5V - EMMA DRESSOIR 220 / SIDE BOARD

HARDWARE	A	B	C	D	E	F	G	H	I	J	K	L	M	N	O	O1	O2	O3	P	Q	R	S
	PLASTIC DOWEL M8X25 1X60	CB SCREW M3.5X16 1X60	CB SCREW M4X25 1X2	CB SCREW M4X30MM 1X4	CB SCREW M4X35 1X8	CSK CAP M6X40MM 1X12	CSK CAP M6X50MM 1X6	METAL SHELF SUPPORT 1X12	2 PIN STOPPER 1X2	J1 MINIFIX 5654 28 SETS	J2 CAP 1X28	HINGES (OUTSIDE) 5/8" 4 SETS	HINGES (INSIDE) 5/8" 4 SETS	POWER NAIL 6/8 1X80	HANDLE RA01835 - METAL 1X6	HANDLE SCREW M4X24 1X4	HANDLE SCREW M4X38 1X2	METAL SOFT CLOSING 1 SET	PLASTIC PIN 1X8	L-BRACKET 1X4	ALLEN KEY 1X1	

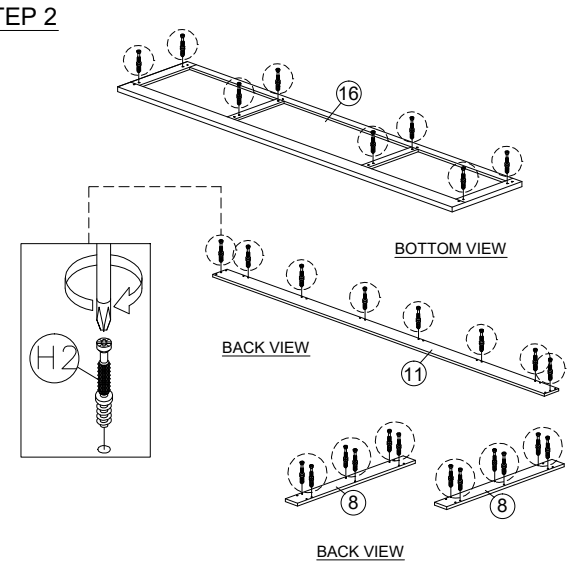
## PART LIST



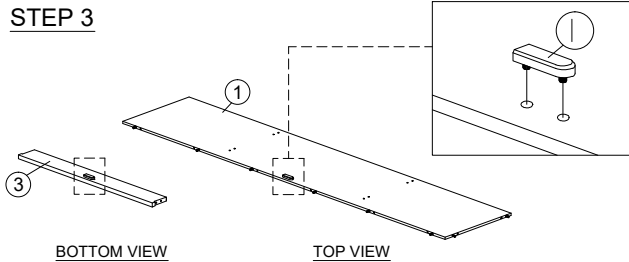
## STEP 1



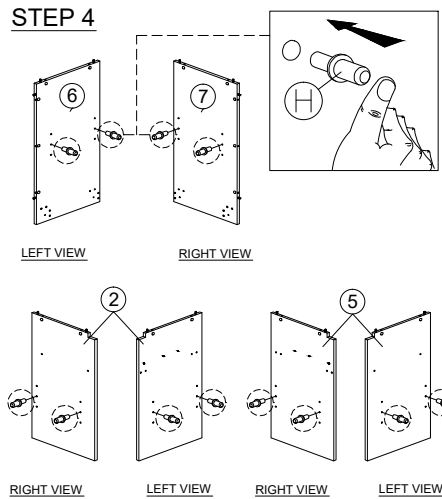
## STEP 2



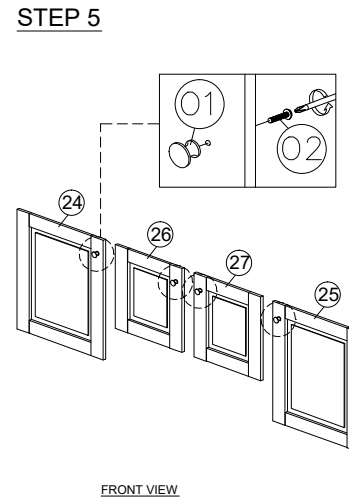
## STEP 3



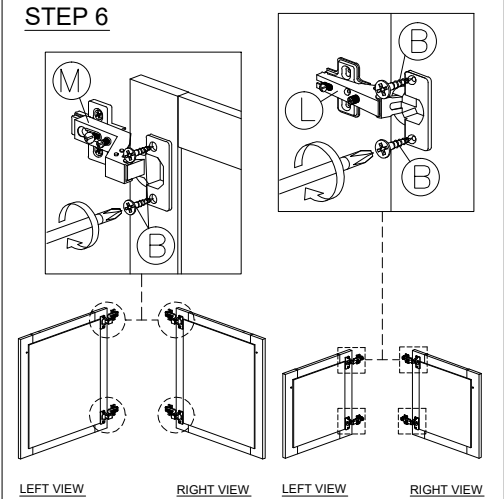
## STEP 4



## STEP 5

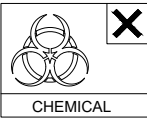


## STEP 6

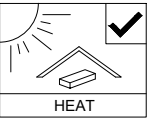




SOFT, DRY CLOTH



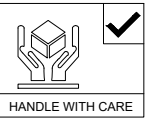
CHEMICAL



HEAT



KEEP DRY



HANDLE WITH CARE

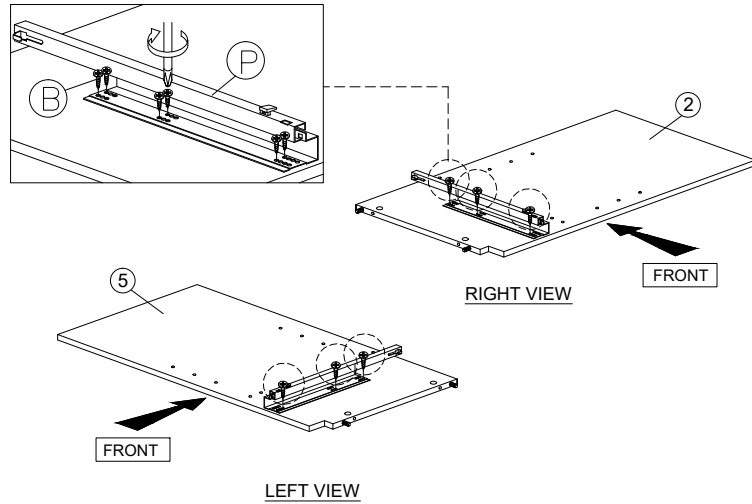


DO NOT USE KNIFE

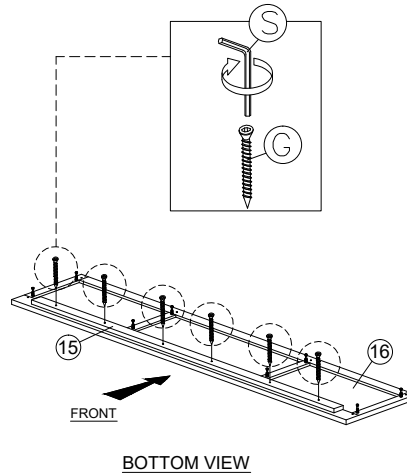
# ASSEMBLY INSTRUCTION

MODEL : SB 19020-S5V - EMMA DRESSOIR 220 / SIDE BOARD

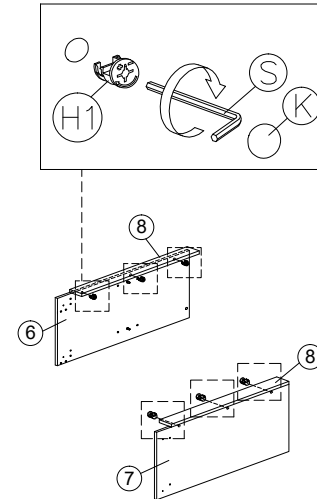
## STEP 7



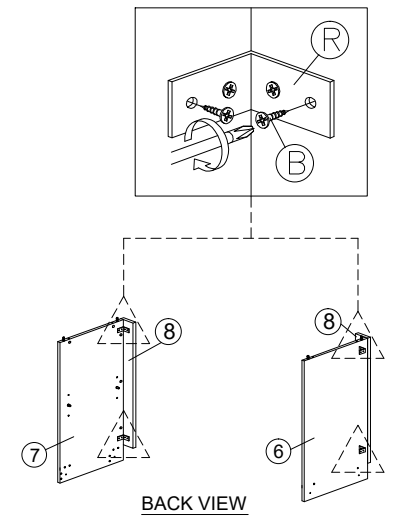
## STEP 8



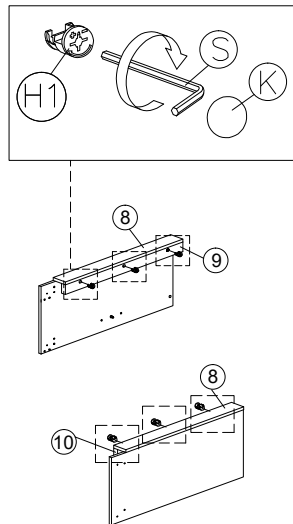
## STEP 9



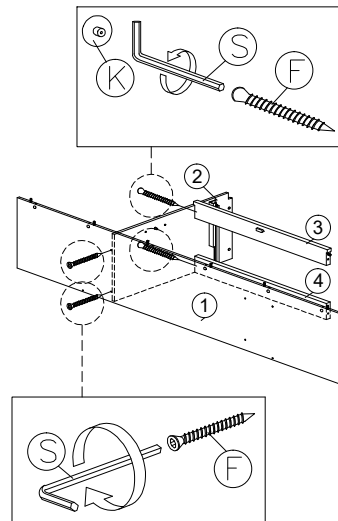
## STEP 10



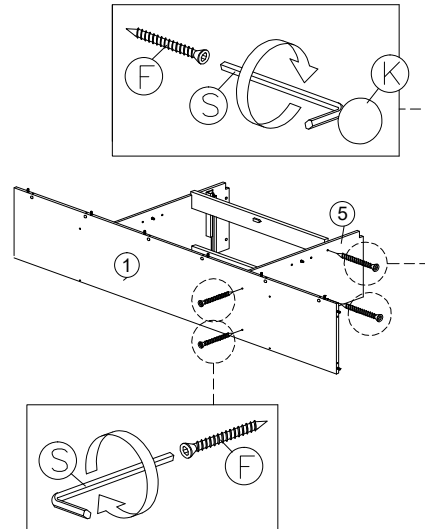
## STEP 11



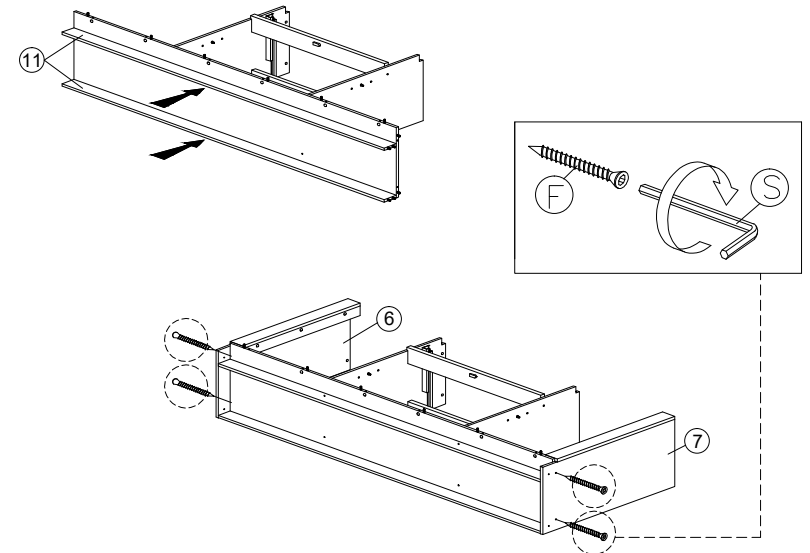
## STEP 12



## STEP 13

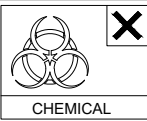


## STEP 14

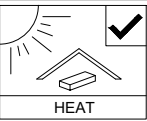




SOFT, DRY CLOTH



CHEMICAL



HEAT



KEEP DRY



HANDLE WITH CARE

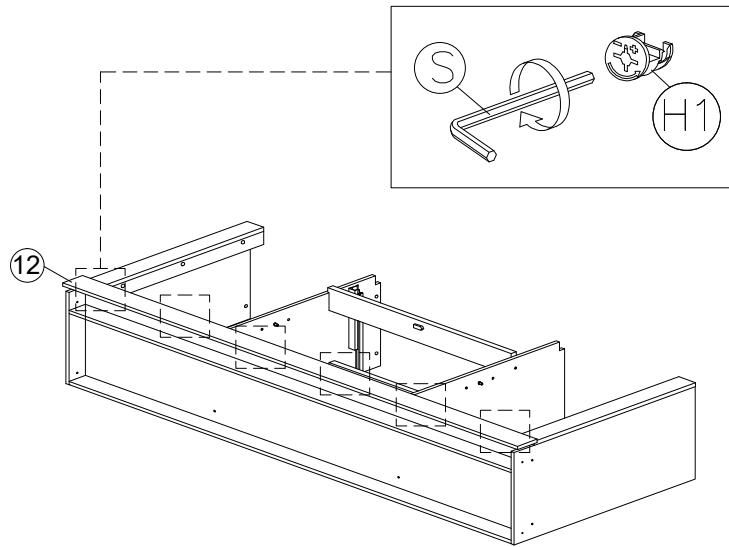


DO NOT USE KNIFE

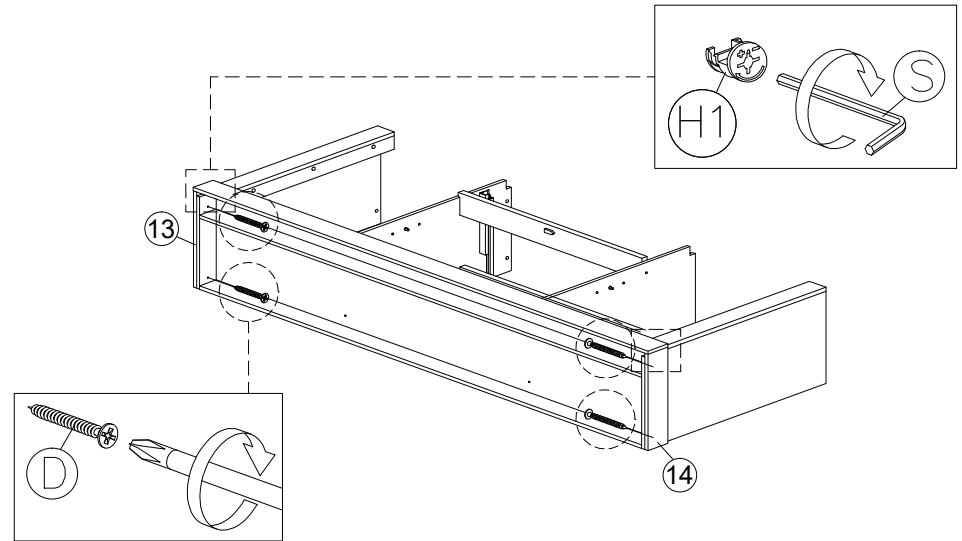
# ASSEMBLY INSTRUCTION

MODEL : SB 19020-S5V - EMMA DRESSOIR 220 / SIDE BOARD

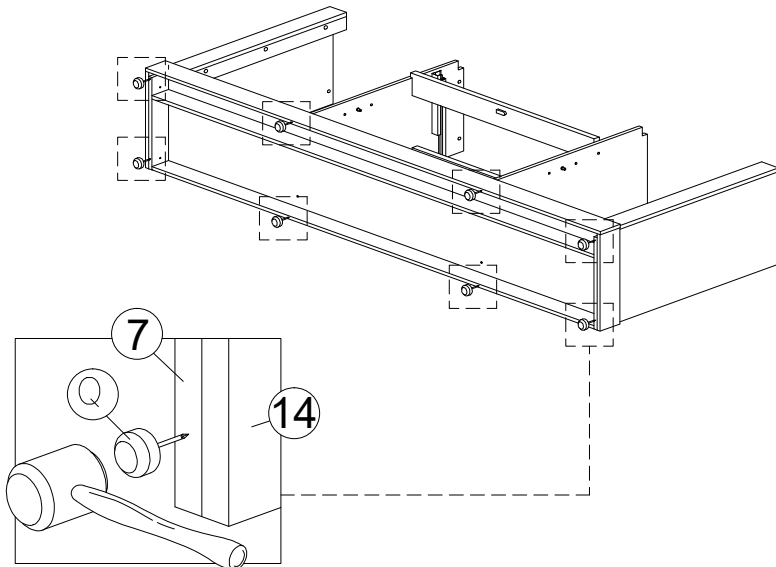
## STEP 15



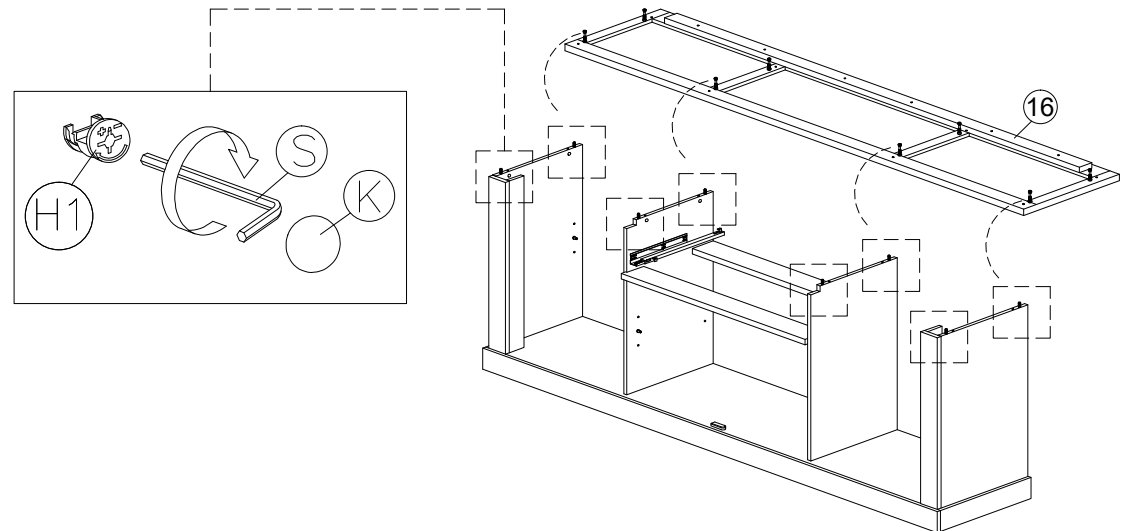
## STEP 16



## STEP 17

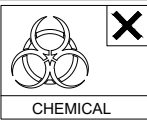


## STEP 18

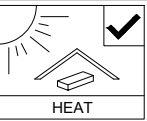




SOFT, DRY CLOTH



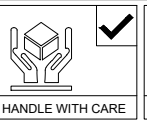
CHEMICAL



HEAT



KEEP DRY



HANDLE WITH CARE

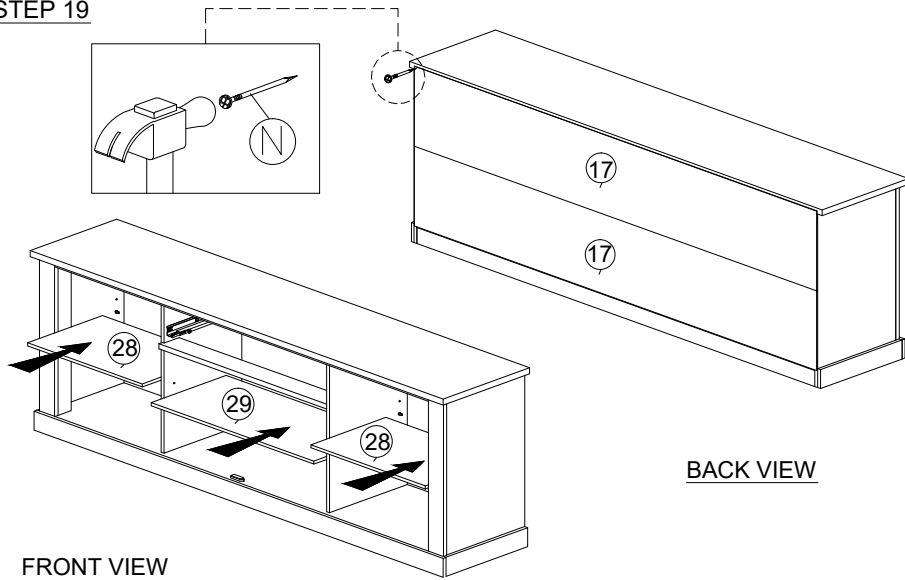


DO NOT USE KNIFE

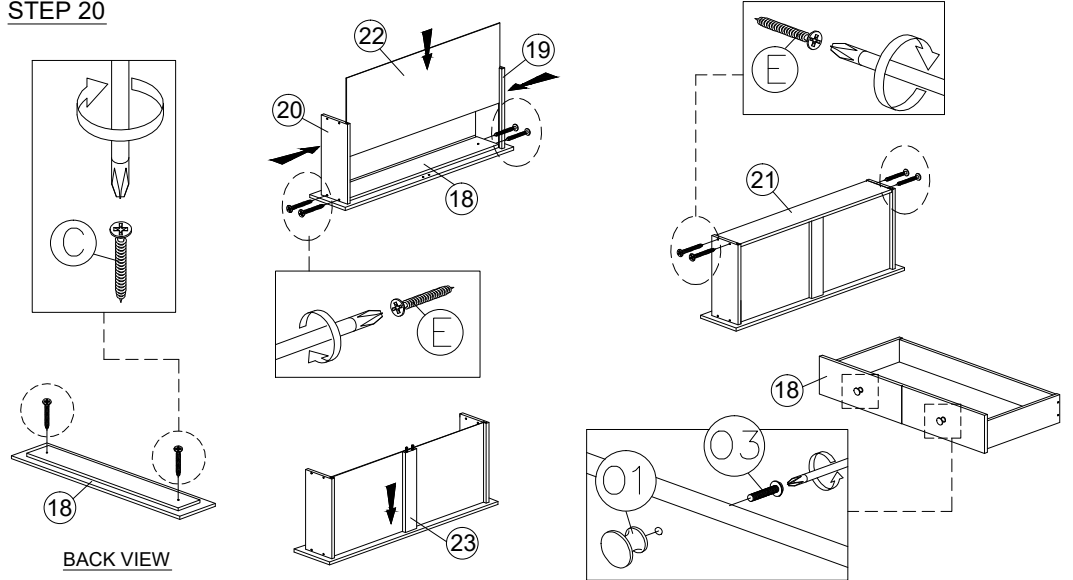
# ASSEMBLY INSTRUCTION

MODEL : SB 19020-S5V - EMMA DRESSOIR 220 / SIDE BOARD

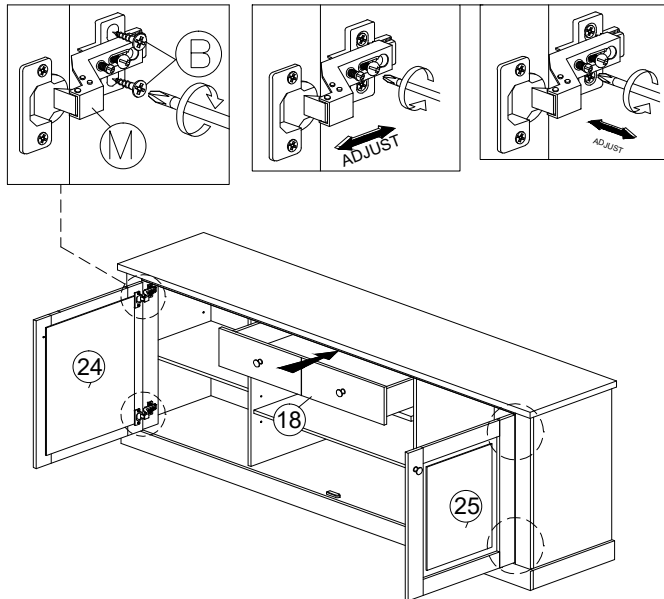
## STEP 19



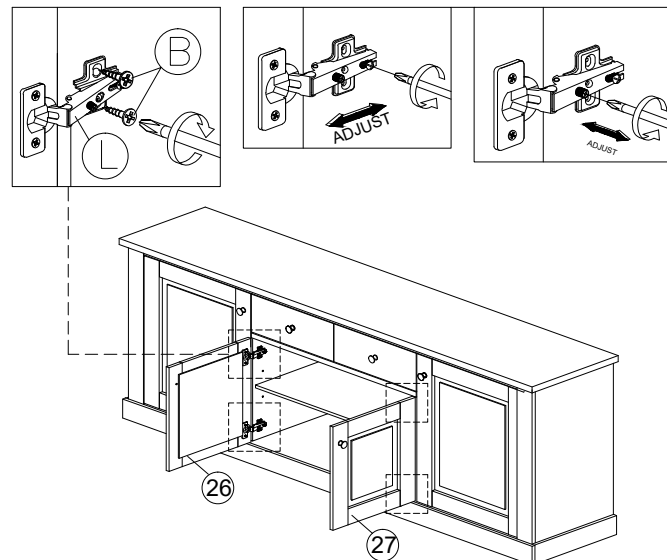
## STEP 20



## STEP 21



## STEP 22



## COMPLETED

