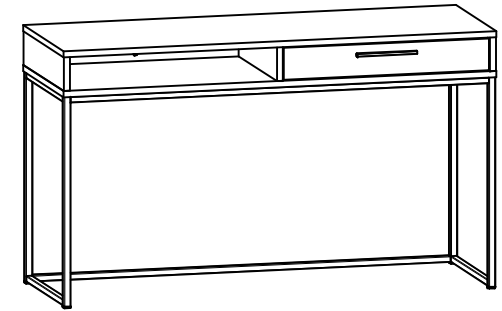


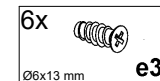
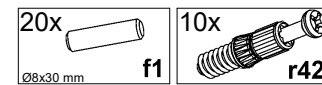
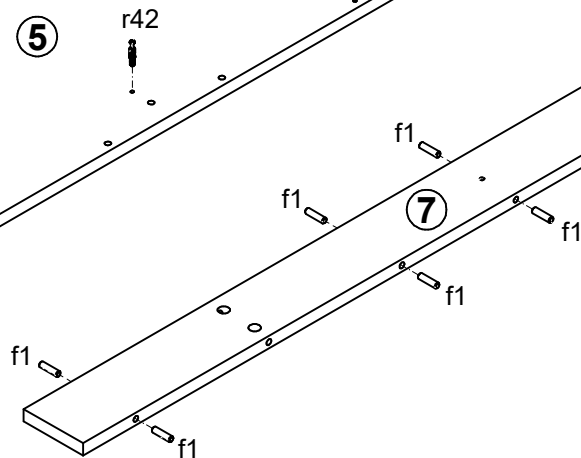
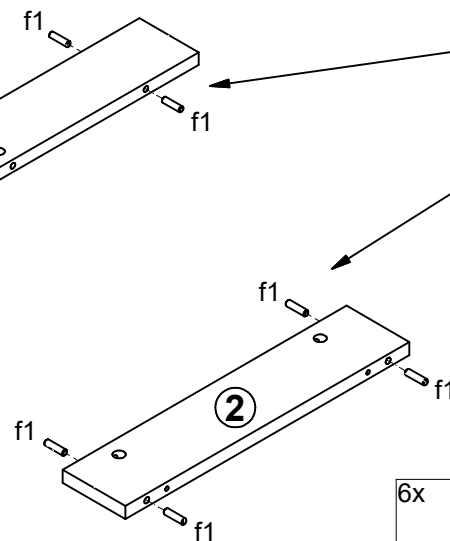
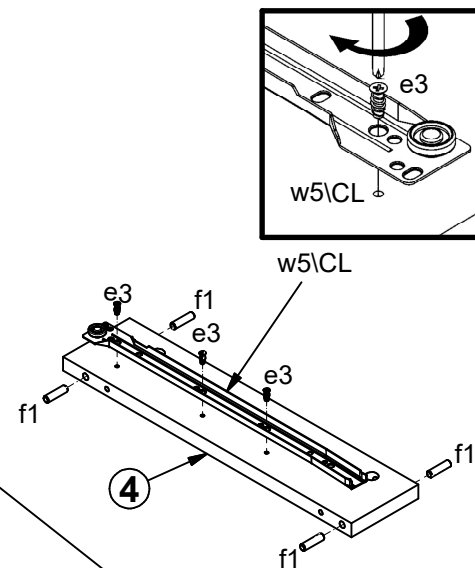
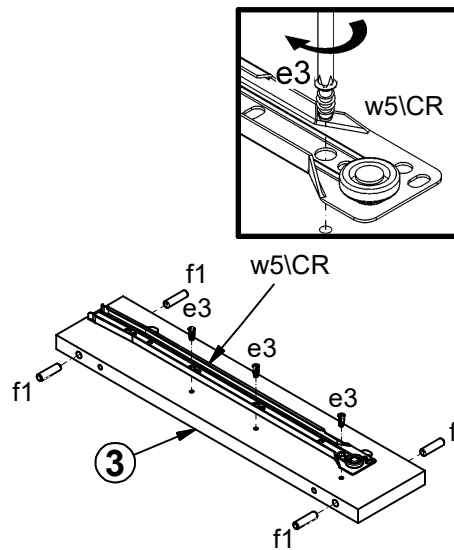
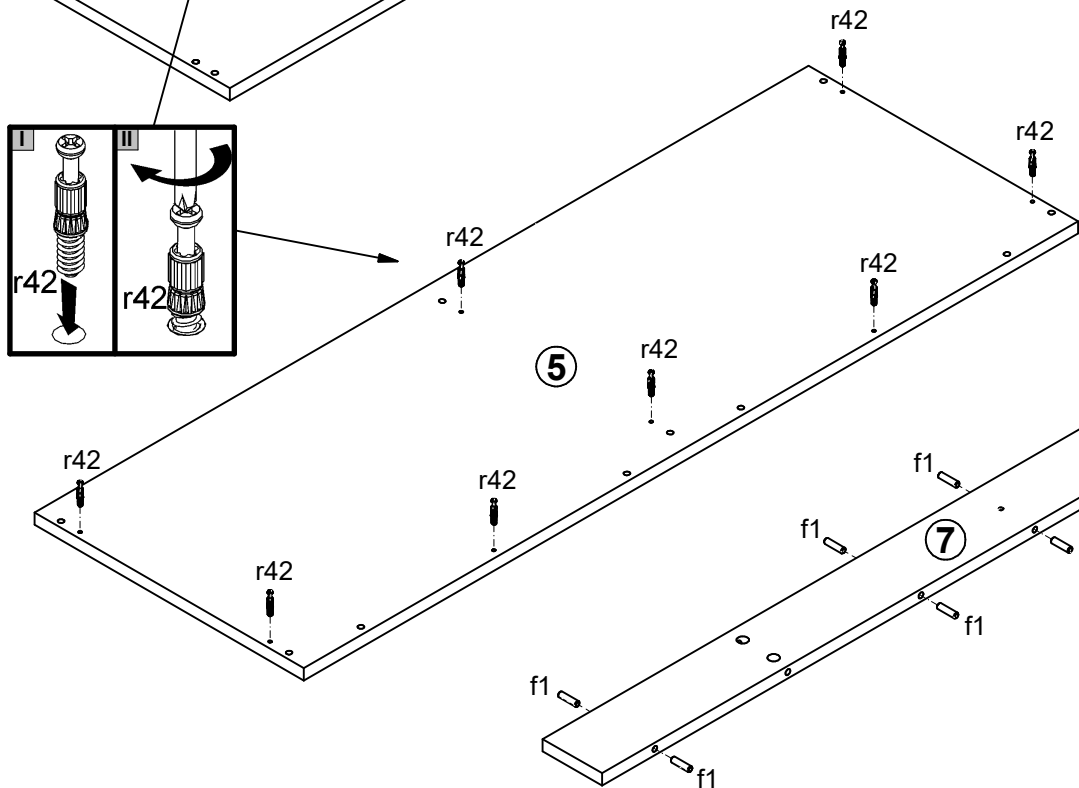
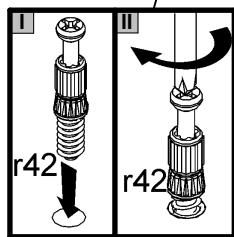
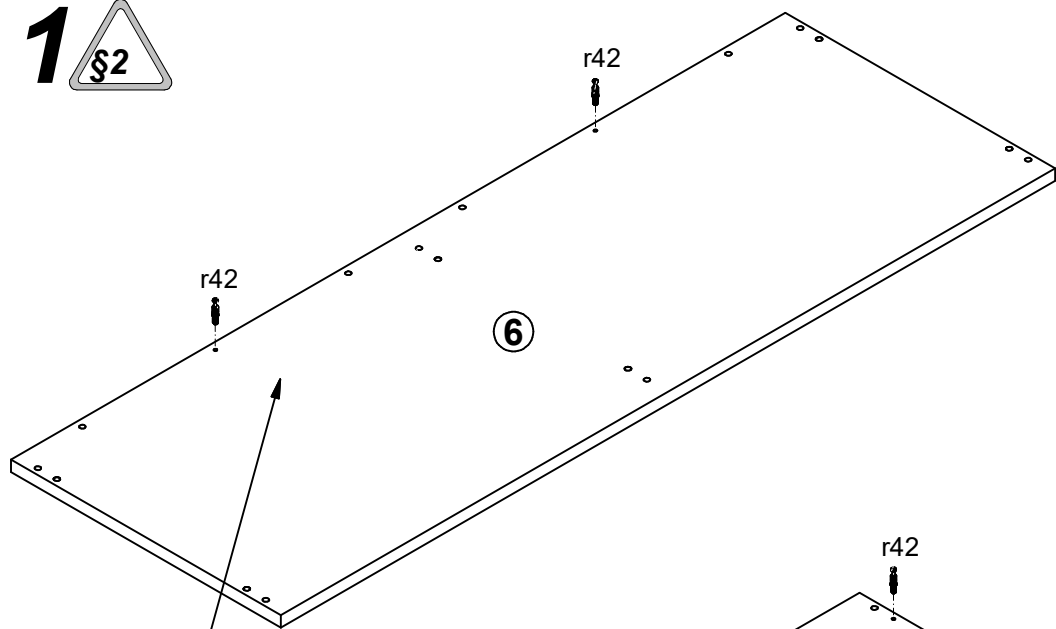
A	B	C (mm)			D
1	L79-0007	619	94	15	1/2
2	L79-1011	100	452	18	1/2
3	L79-1012	100	452	18	1/2
4	L79-1013	100	432	18	1/2
5	L79-2008	1304	454	18	1/2
6	L79-2009	1304	454	18	1/2
7	L79-4005	1266	100	18	1/2
8	L79-9005	597	405	2,5	1/2
9	ZS3-5711	784	140	12	1/2
10	ZS4-529	400	65	12	1/2
11	ZS4-530	400	65	12	1/2

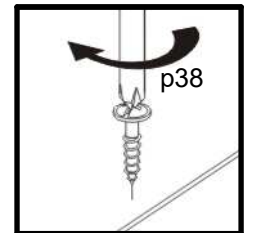
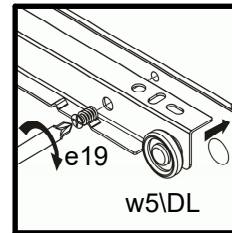
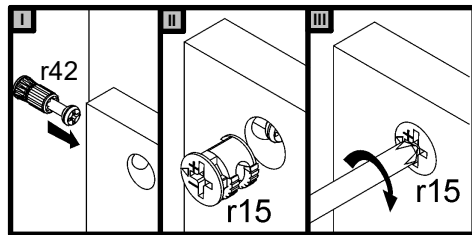
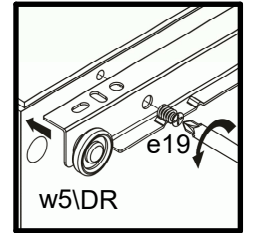
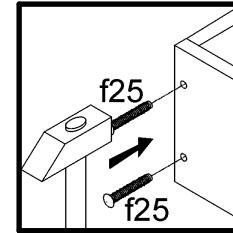
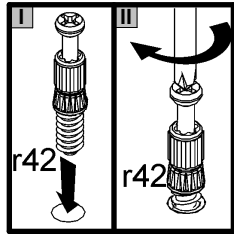
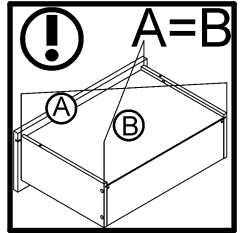
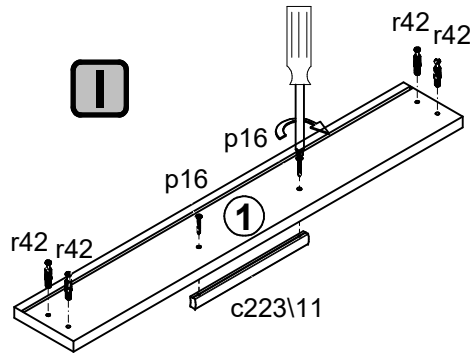


D
1/2
2/2

1x 160 mm c223\11	6x Ø7x50 mm e1	6x Ø6x13 mm e3	4x Ø5x9 mm e19	10x Ø6,3x26 mm e52	20x Ø8x30 mm f1	4x Ø6,5x40 mm f25	28x M5x12 mm j173	4x 20x20 k133\15	2x L-410mm 18x18 k133\13	2x L-410mm 18x18 k133\14	1x L-1260mm 18x18 k133\15	2x L-1260mm 18x18 k133\16	
1x k133\17L	1x k133\17P	2x k133\18	2x Ø3,5x25 mm p16	4x Ø3,5x16 mm p38	10x Ø15x12 mm #16 r1	4x Ø12x10,5 mm #12 r15	14x r42	1x 400 mm w5\CL	1x 400 mm w5\CR	1x 400 mm w5\DL	1x 400 mm w5\DR	4x Ø16 s2	
1x 4 mm z1	1x 3 mm z22											1x Ø5x60 mm p17	1x Ø10x50 mm f35

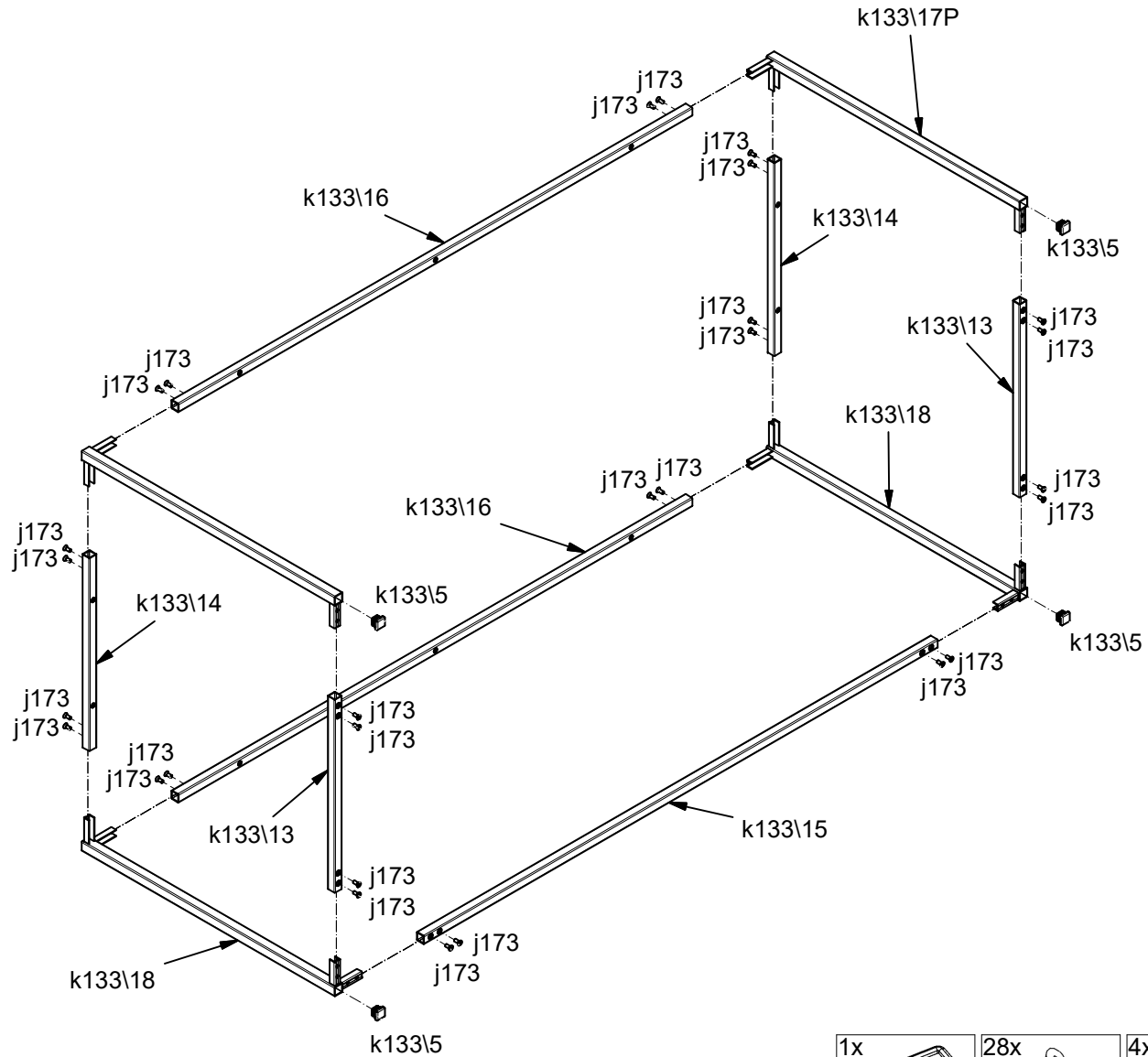
1 §2






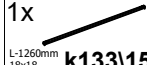



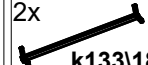




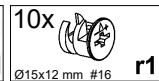
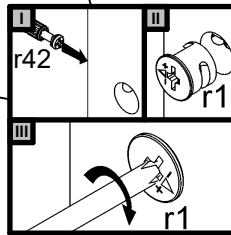
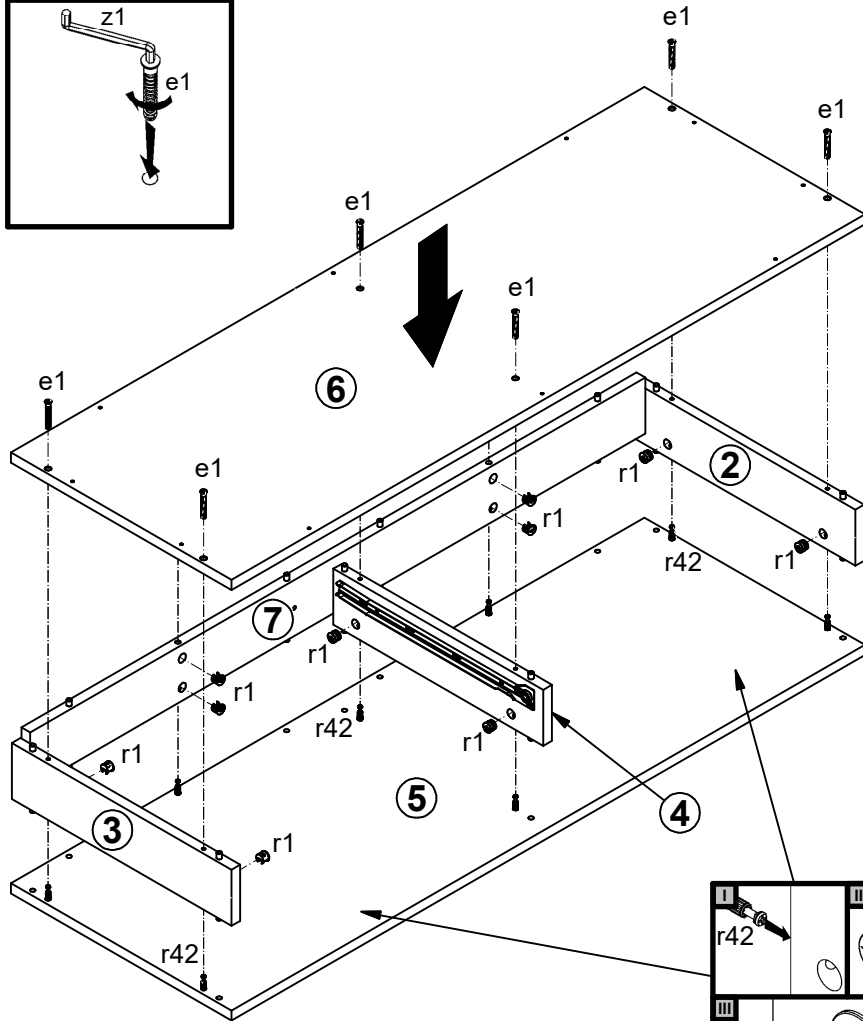
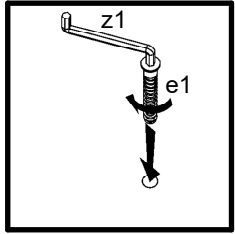
- | | | | | | | | | |
|-------------------------|-------------------------|-----------|-------------------------|------------------------------|-------------------------|-----------------------|-----------------------|----------------------|
| 1x
160 mm
c223\11 | 2x
Ø3,5x25 mm
p16 | 4x
r42 | 4x
Ø6,5x40 mm
f25 | 4x
Ø12x10,5 mm #12
r15 | 4x
Ø3,5x16 mm
p38 | 1x
400 mm
w5\DL | 1x
400 mm
w5\DR | 4x
Ø5x9 mm
e19 |
|-------------------------|-------------------------|-----------|-------------------------|------------------------------|-------------------------|-----------------------|-----------------------|----------------------|

3  6

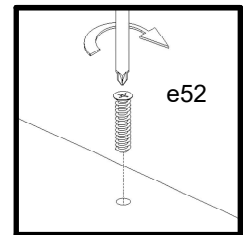
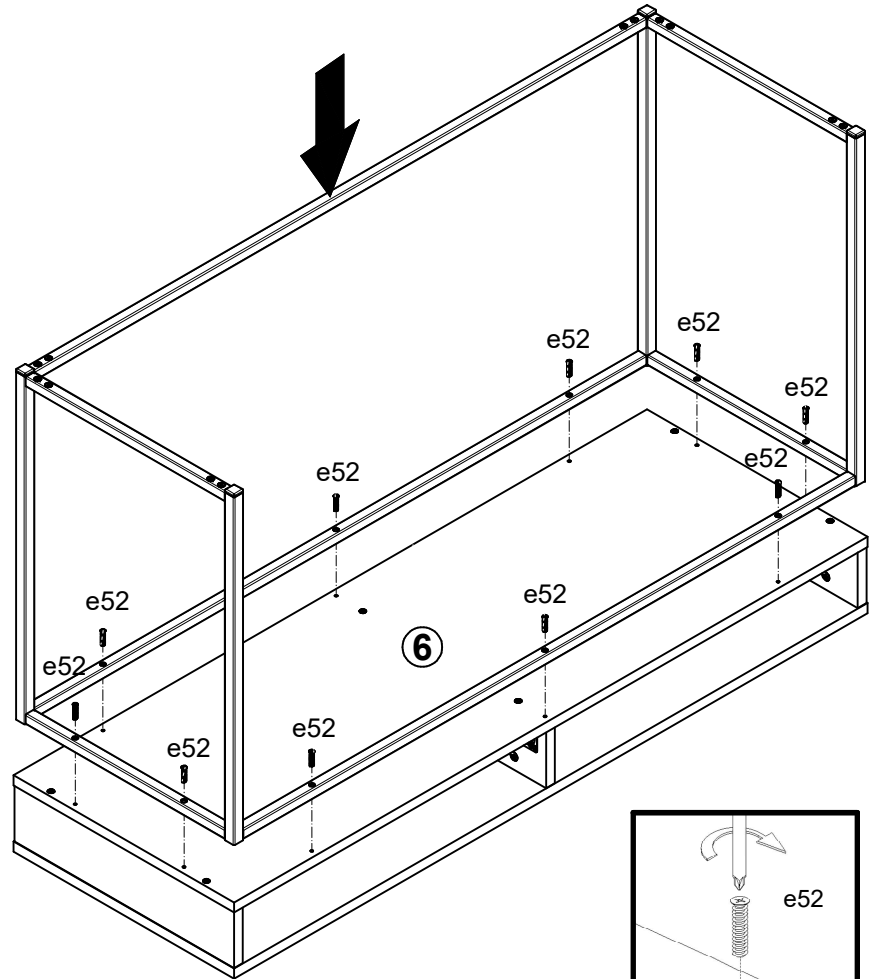


1x  3 mm z22	28x  M5x12 mm j173	4x  20x20 k133\5	2x  L-410mm 18x18 k133\13	2x  L-410mm 18x18 k133\14
1x  L-1260mm 18x18 k133\15	2x  L-1260mm 18x18 k133\16	1x  k133\17L	1x  k133\17P	2x  k133\18

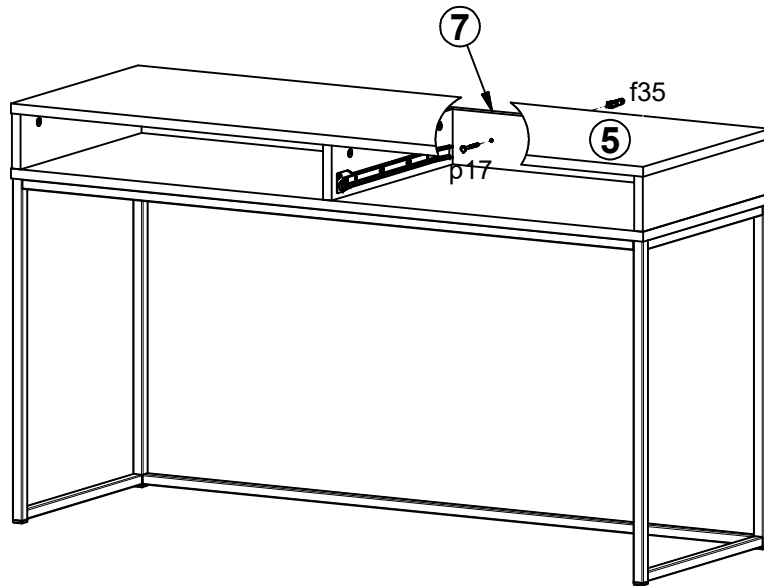
4 §6



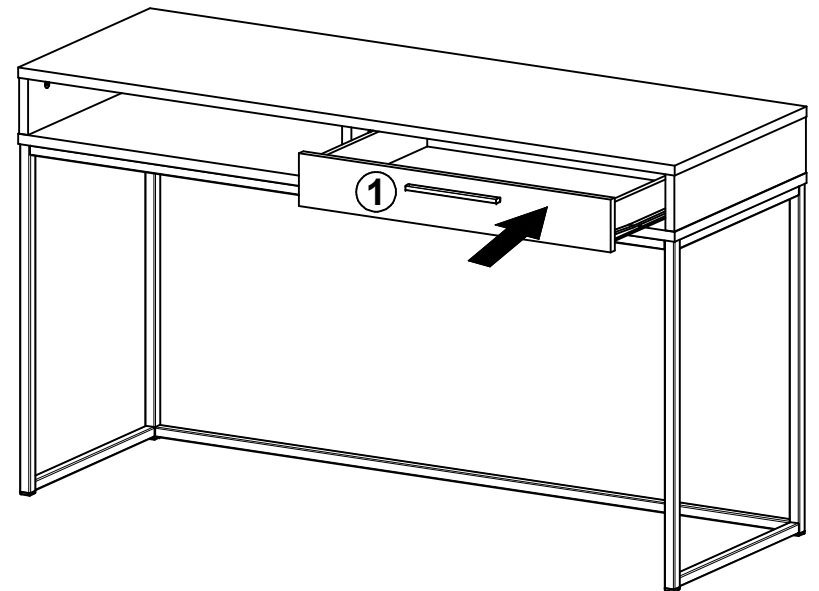
5 §6



6 §6



7 §6



φ10 mm

