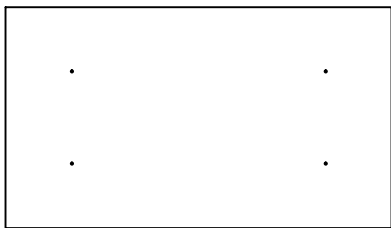


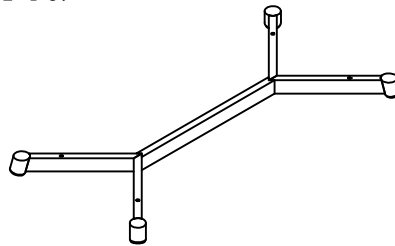
ASSEMBLY INSTRUCTION

PARTS LIST

1. - 1 Pc.



2. - 1 Pc.



3. - 4 Pcs.



FITTINGS

A. -M8x70-4Pcs.



B. -M10x45-4Pcs.



C. -4Pcs.



D. -4Pcs.



E. -1Pc.



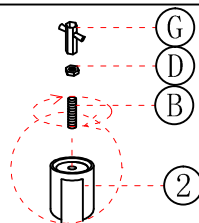
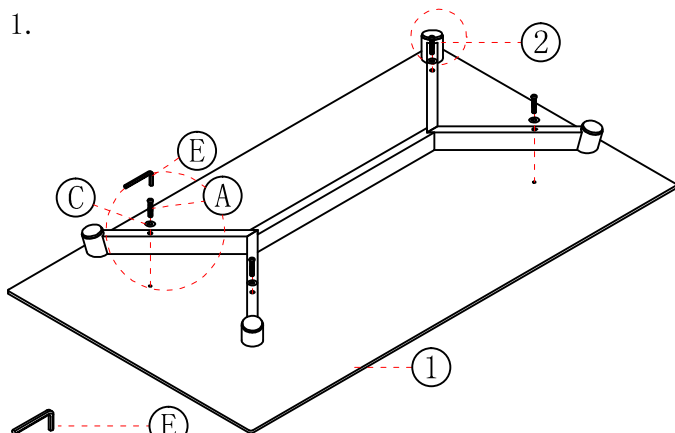
F. -4Pcs.



G. -1Pc.



1.



2.

